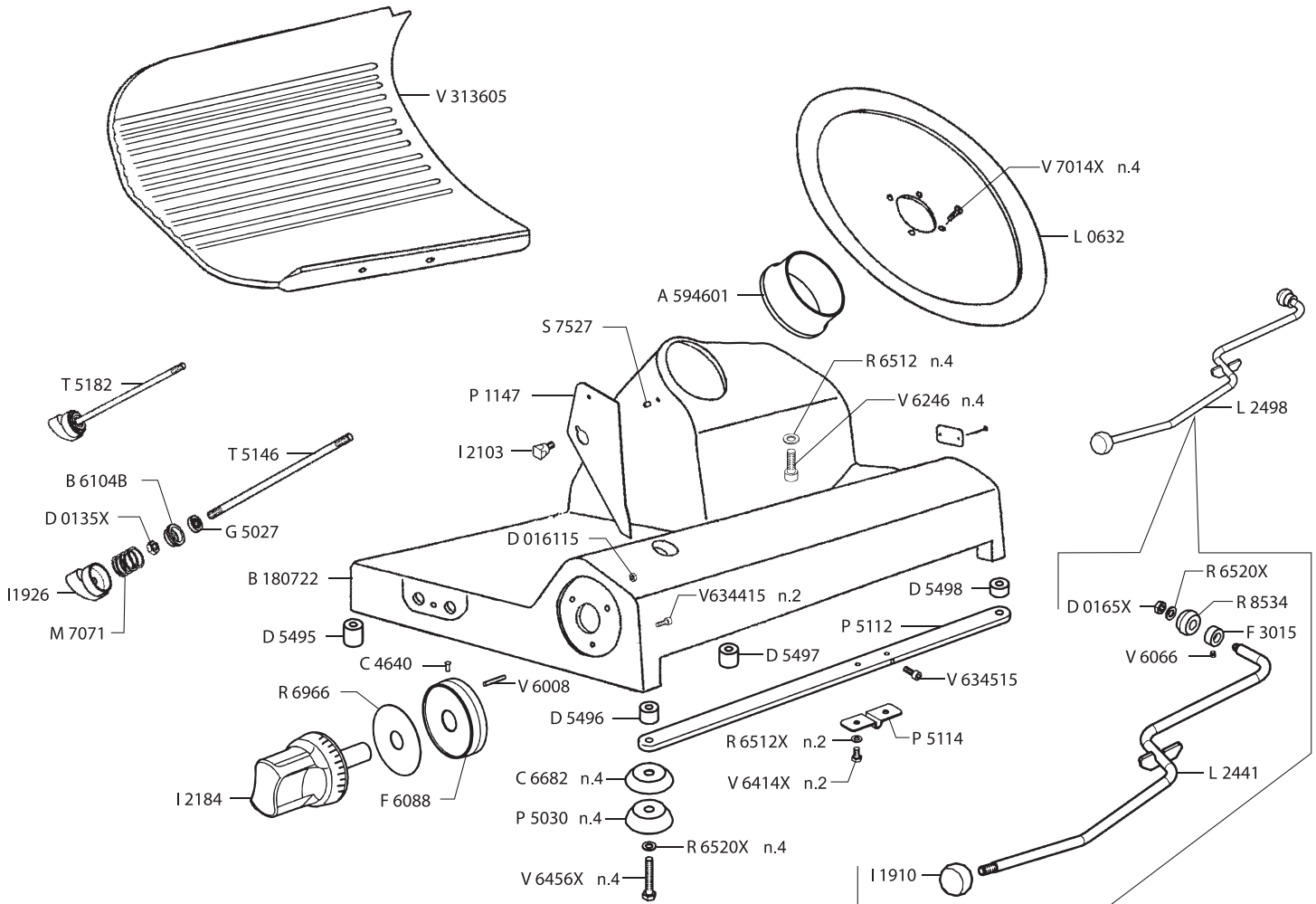


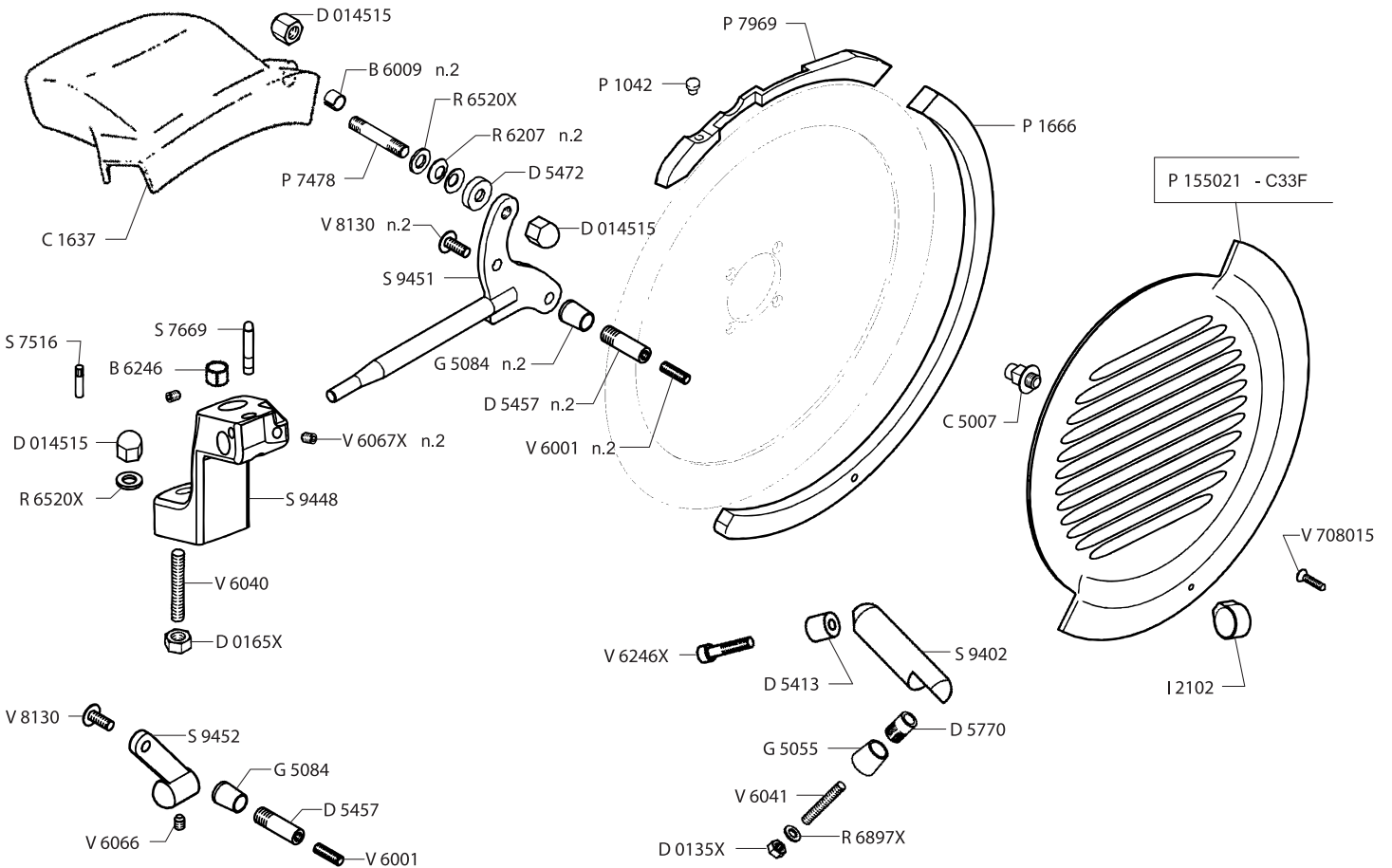
PARTS BREAKDOWN

ITEM	MODEL
38917	MS-IT-0330-C



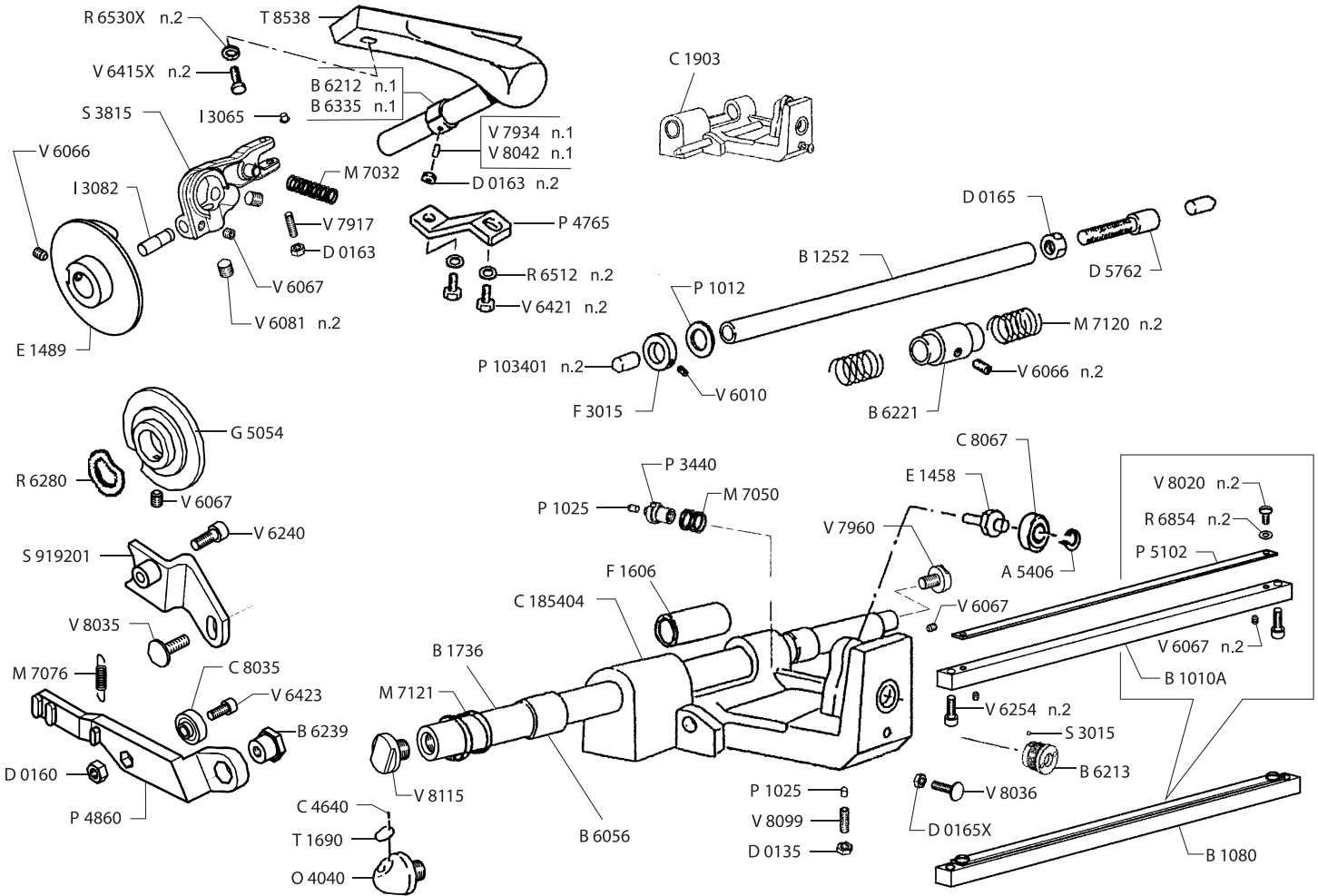
PARTS BREAKDOWN

ITEM	MODEL
38917	MS-IT-0330-C



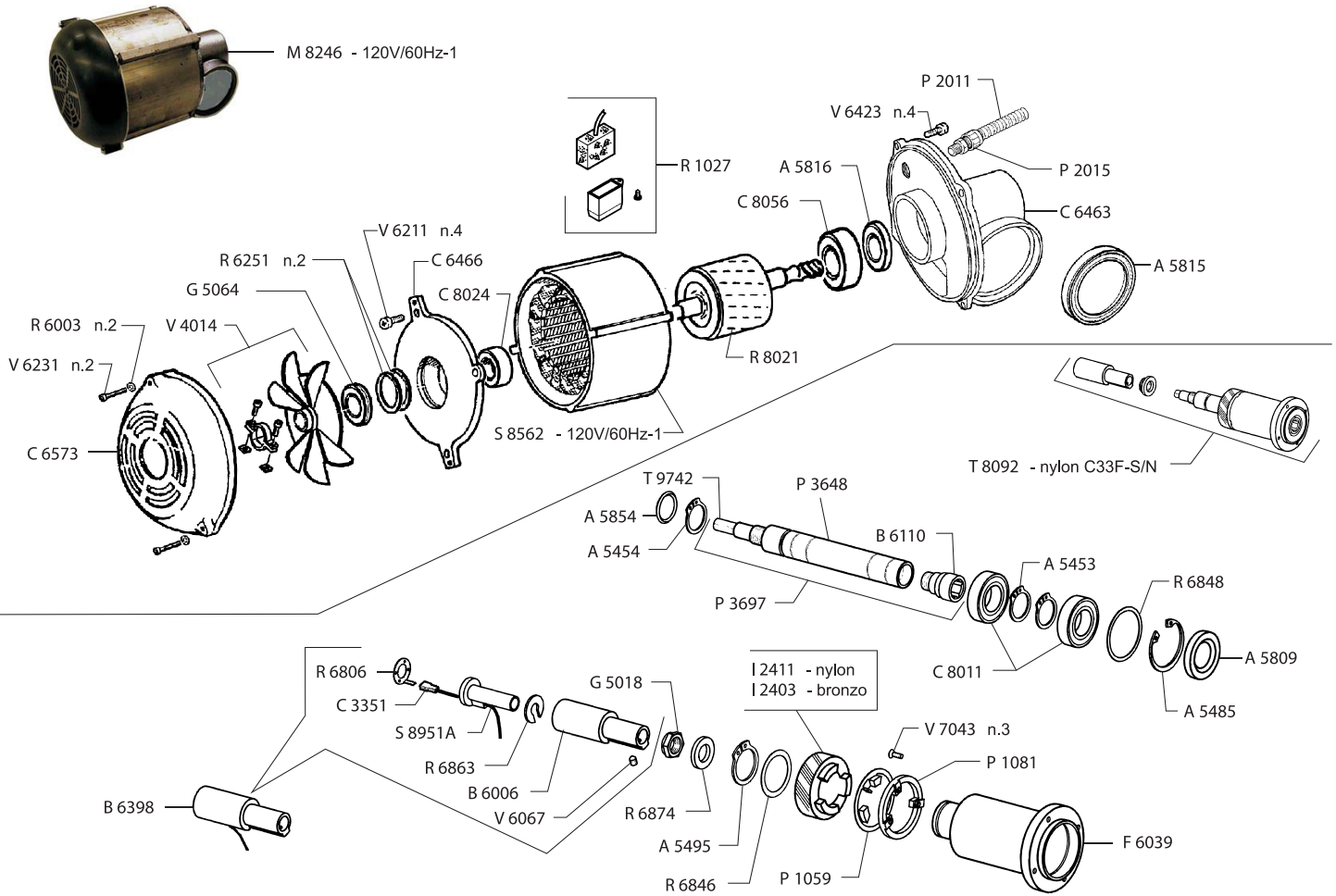
PARTS BREAKDOWN

ITEM	MODEL
38917	MS-IT-0330-C



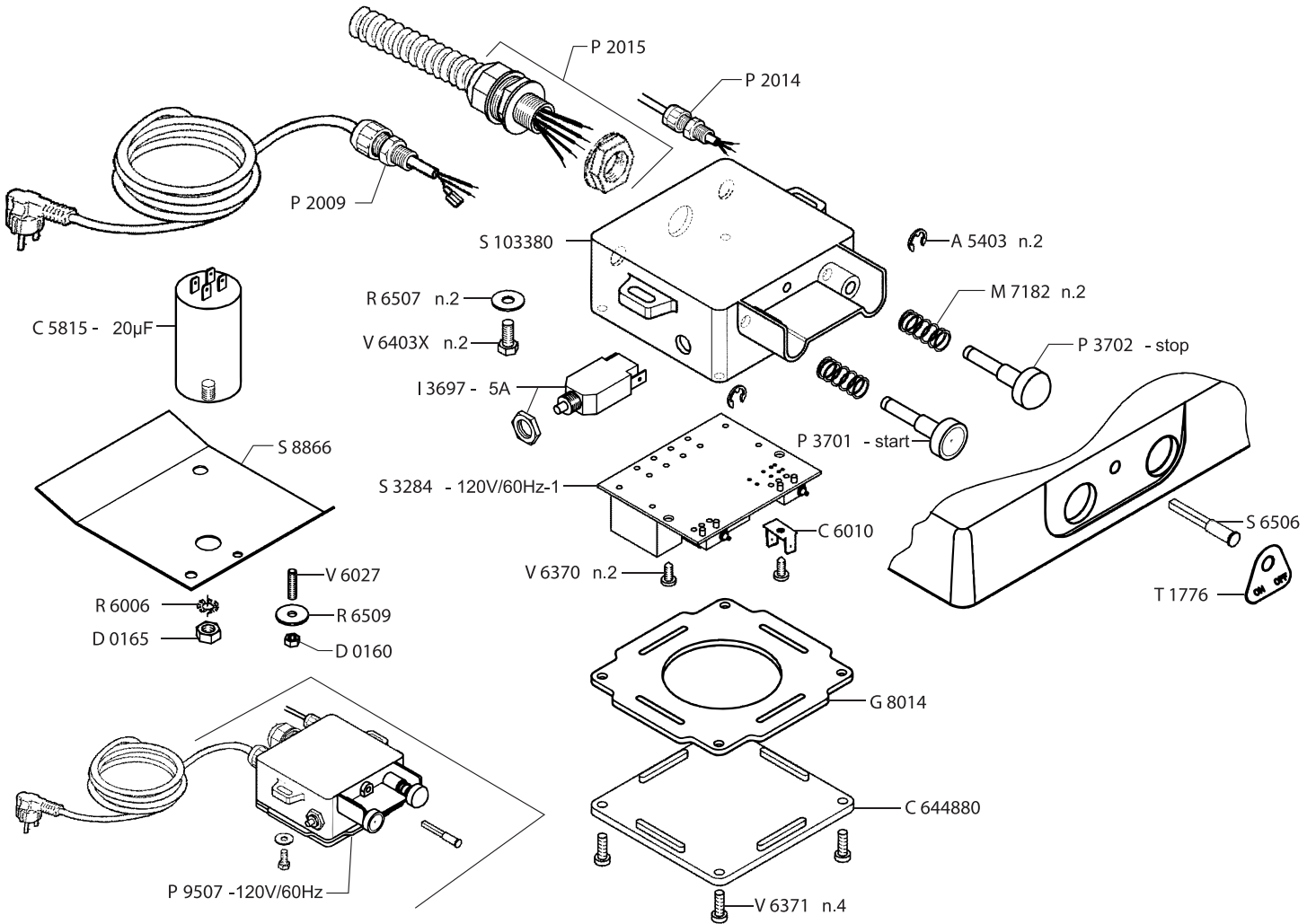
PARTS BREAKDOWN

ITEM	MODEL
38917	MS-IT-0330-C



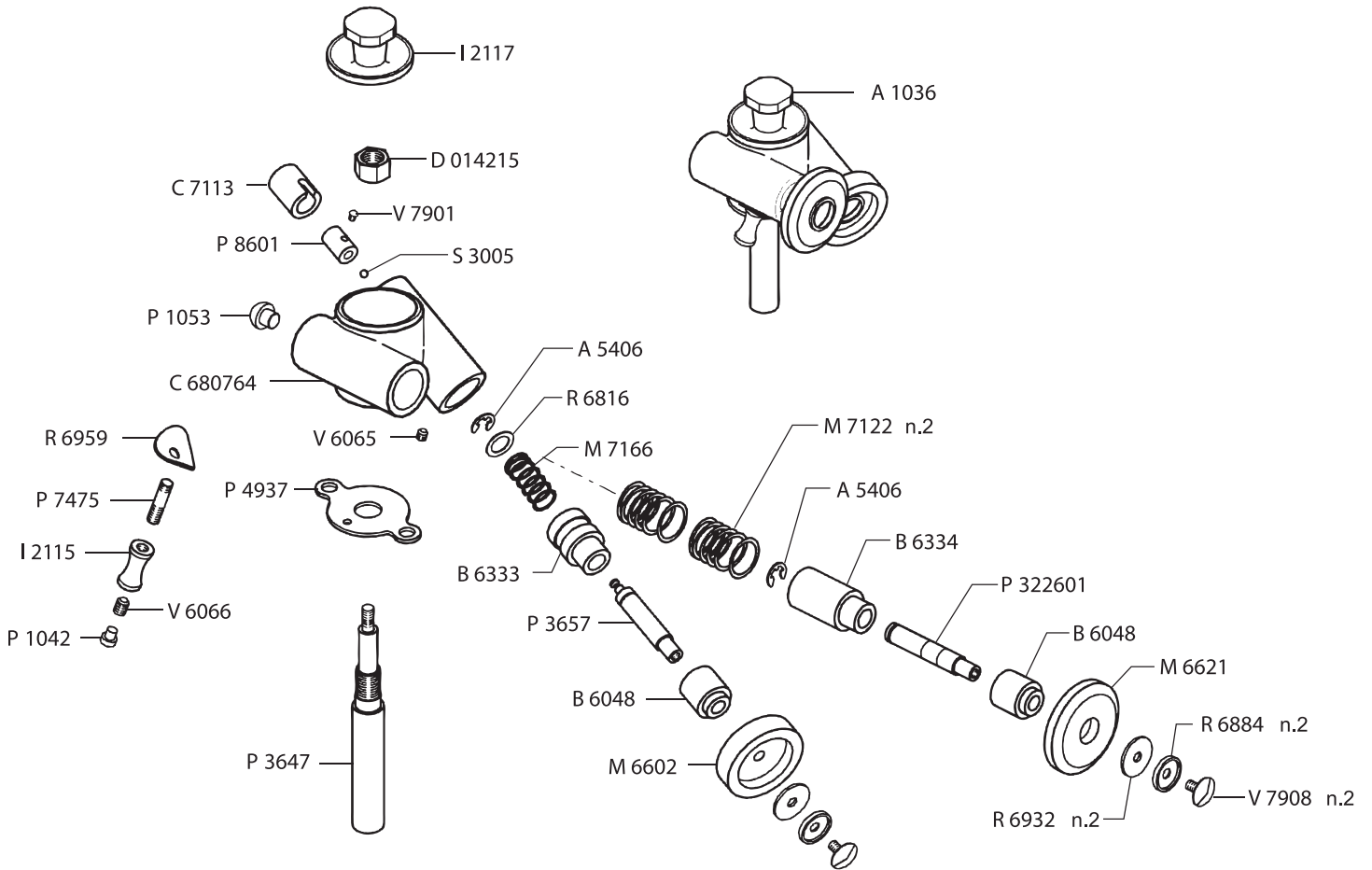
PARTS BREAKDOWN

ITEM	MODEL
38917	MS-IT-0330-C



PARTS BREAKDOWN

ITEM	MODEL
38917	MS-IT-0330-C



PARTS BREAKDOWN

ITEM	MODEL
38917	MS-IT-0330-C

Item No.	Description	Position	Item No.	Description	Position	Item No.	Description	Position
36535	Assy Sharpener for 38917	A1036	18648	Bushing for 38917	B6212	36617	Motor Fan Cover for 38917	C6573
17279	Ring EL.Benzing 5 for 38917	A5403	36563	Carriage Bushing for 38917	B6213	36623	Foot Cover for 38917	C6682
16902	Ring EL.Benzing 8 for 38917	A5406	36564	Bushing for Carriage Support lg.23mm for 38917	B6214	64361	Sharpener Body for 38917	C680764
17281	Ring EL.Seeger Ext.25 for 38917	A5453	36566	Bushing to Hold Carriage Springs for 38917	B6221	36628	Switch Cover 16x20 for 38917	C7113
77585	Ring EL.Seeger Est.25 Ser.Heavy for 38917	A5454	36569	Fixing Lever Bushing for 38917	B6239	17334	Bearing 2Z-6205 25x52x15 for 38917	C8011
19484	Ring 52 for 38917	A5485	36570	Bushing DU 16x18x20 for 38917	B6246	16925	Bearing 2RS-6204 20x47x14 for 38917	C8024
19612	Ring 33 for 38917	A5495	36574	Bushing for 38917	B6333	36630	Bearing 5x16x6.5 for 38917	C8035
17283	Oil Seal 25x52x10 for 38917	A5809	36575	Bushing for 38917	B6334	36631	Bearing 2RS-6205 25x52x15 for 38917	C8056
17285	Oil Seal 60x75x8 for 38917	A5815	36576	Bushing DU 28x32x25 for 38917	B6335	16926	Bearing 2RS-6000 (10x26x8) for 38917	C8067
19493	Oil Seal 25x47x07 for 38917	A5816	78677	Bushing Fastener Guard Knife C for 38917	B6398	19639	Nut M8 for 38917	D0135
17288	O-Ring 3081 20.24x2.62 for 38917	A5854	36584	All Sharpener Cover for 38917	C1637	36637	Nut U5589 M8 Stainless Steel for 38917	D0135X
65609	Sealing Ring Shaft for 38917	A594601	36591	Carriage Support for 38917	C185404	77508	Stainless Steel Nut U5588 M12 for 38917	D014215
17290	Carriage Bar for 38917	B1010A	36593	Assembled Carriage for 38917	C1903	66365	Domed Nut Din 917 M8 Stainless Steel for 38917	D014515
60431	Complete Carriage Rail Assembly for 38917	B1080	65610	Cord 0.5 LG.750 Coverblade Microswitch for 38917	C3351	19643	Nut M10 for 38917	D0157X
36549	Shock Absorber Rod 12x185 for 38917	B1252	17316	Pin 8.5mm for 38917	C4601	36643	Nut U5588 M5 for 38917	D0160
19501	Meat Grip Rod A310 & C for 38917	B1337A	17317	Pin.11 for 38917	C4602	65613	Stainless Steel Nut U5588 M4 for 38917	D016115
65883	Sliding Bar for 38917	B1736	36601	Rivet 1.9x5 for 38917	C4640	19644	Nut M6 for 38917	D0163
17298	Bushing Fastener C for 38917	B6006	36607	Blade Cover Bolt Keeper 14x14M for 38917	C5007	36647	Nut U5588 M8 for 38917	D0165
19618	Bushing 8x10x8 for 38917	B6009	20458	Capacitor 14uF for 38917	C5815	36648	Nut U5588 M8 for 38917	D0165X
16904	Bushing Sharpener for 38917	B6048	74403	Connector Faston 2 Poles Male for 38917	C6010	36653	Spacer for 38917	D5413
16905	Bushing DU 16x18x15 for 38917	B6053	65611	Cover for Box S1033 Latamid for 38917	C644880	36654	Spacer per Registro M10 p.1x33 for 38917	D5457
17304	Bushing DU 25x28x20 for 38917	B6056	78266	Front Motor Cover for 38917	C6463	65614	Spacer Fixing Sharpener Cover for 38917	D5472
19630	Bushing Fastener for 38917	B6104B	36615	Back Motor Cover for 38917	C6466	65615	Foot Spacer Ø8x22x25 Front Left for 38917	D5495
78265	Bushing Funnel for 38917	B6110	36616	Transparent Cover for Carr. Plate for 38917	C6538	65616	Foot Spacer Ø8x22x17 Front Right for 38917	D5496

PARTS BREAKDOWN

ITEM	MODEL
38917	MS-IT-0330-C

Item No.	Description	Position	Item No.	Description	Position	Item No.	Description	Position
65617	Foot Spacer Ø8x22x20 Back Left for 38917	D5497	23632	Screw for 38917	I2103	17390	Rubber Shock Abs. 16x22x2.5 for 38917	P1019
65618	Foot Spacer Ø8x22x20 Back Right for 38917	D5498	65621	Knob Ø12x25 M6 for 38917	I2115	36760	Pin Tray Shock-Absorber for 38917	P1025
36659	Hand Grip-Knob Spacer for 38917	D575081	65622	Sharpener Body Knob for 38917	I2117	17392	PL.Shock Absorb.8.5x20 for 38917	P1034
36661	Carriage Shock Absorber Spacer for 38917	D5762	65623	Handle Assembly NSF for 38917	I2182	36761	Shock Absorber for 38917	P103401
60786	Locknut Spacer for 38917	D5770	65624	Impugn.Graduata Ass. for 38917	I2184	19797	Nylon Shock 8.5x8 for 38917	P1042
17345	Cam Bearing for 38917	E1458	62453	Nylon Gear with Cap for 38917	I2403	36762	Rubber Plug for 38917	P1053
79267	Cam Eccentric Stroke mm.16 for 38917	E1489	62350	Bushing Glide Dia 8x8 for 38917	I3065	16955	Shock Absorber for 38917	P1059
36682	Unhook Friction Clasp 12x22x8 for 38917	F3015	62351	Bushing Glide Pin Dia 8x38 for 38917	I3082	17395	Shock Absorber for 38917	P1081
77591	Support Blade Flange for 38917	F6039	72282	Overload Protector for 38917	I3697	36763	Slice Deflector for 38917	P1147
65619	Flange X Index Knob I2131 for 38917	F6088	22042	Blade 330x57x4x286x23 -100Cr6/C for 38917	L0632	36767	Knife Guard with Cover Handle for 38917	P155021
17351	Locknut for 38917	G5018	65626	Assy Lift Lever for 38917	L2498	36773	Ring Guard for 38917	P1666
36689	Stainless Steel Locknut M8 for 38917	G5027	14787	Grinding Sharpening Stone 48x15x14.3 for 38917	M6602	77617	Strain Relief for 38917	P2009
36691	Ring for Bushing for 38917	G5053	14788	Finishing Truing Stone 48x08x14.3 for 38917	M6621	60421	Electrical Conduit for 38917	P2011
36692	Ring for Cam for 38917	G5054	19776	Spring 14x1.5x60 for 38917	M7032	36778	Wire-Press for 38917	P2014
36695	Ring Support Cap for 38917	G5055	19782	Spring 19.5x1.5x16.7 for 38917	M7050	36779	Core-Hitch + Nut for 38917	P2015
36697	Logging Lock Nut for 38917	G5064	19250	Spring 24.8x1.8x15 for 38917	M7071	17419	Pin Truing for 38917	P322601
36698	Index Ring M10 p.1 h.17 for 38917	G5084	36746	Spring 7x0.8x23 Cam for 38917	M7076	36793	Pin.Handle for 38917	P3430
36700	Seal for 38917	G8014	19248	Spring 15.6x20x2.2 for 38917	M7120	36794	Carr. Plate Lock Pivot for 38917	P3440
17354	Handle T210 for 38917	I1910	36749	Carriage Bar Spring 25-28-1.5 for 38917	M7121	65628	Pivot Sharpener for 38917	P3647
17356	Fastener Handle for 38917	I1926	36750	18.5x20.9x1.2 Bar Carriage Spring for 38917	M7122	79272	Knife Shaft for 38917	P3648
17363	End Grip Handle for 38917	I2040	36751	Spring for 38917	M7166	36805	Pivot for Grinding Stone for 38917	P3657
65620	Handle 28x170 Carriage Tray NSF for 38917	I205577	65627	Button Spring for 38917	M7182	77594	Assy Driving Pivot Per T8093 for 38917	P3697
63463	Transparent Cover Knob Screw for 38917	I2090	20263	Motor 120V/60Hz-1 for 38917	M8246	65629	Concave Start Button Pin for 38917	P3701
36717	Knob Assy for 38917	I2098	19791	Oiler Oil Cap with Screw for 38917	O4040	65630	Convex Stop Button Pin for 38917	P3702
36719	Cover Handle for 38917	I2102	17388	R.Shock Absorb.12x19x2 for 38917	P1012	36830	Flat Bar C for 38917	P4765

PARTS BREAKDOWN

ITEM	MODEL
38917	MS-IT-0330-C

Item No.	Description	Position	Item No.	Description	Position	Item No.	Description	Position
36834	Index Casting C-H for 38917	P4860	36884	Washer U6592 8 Stainless Steel for 38917	R6520X	19870	Stator 120/60 for 38917	S8562
65631	Plastic Body Sharpener for 38917	P4937	36885	Washer U6592 10 Stainless Steel for 38917	R6530X	65643	Capacitor Holder for 38917	S8866
17438	Foot for 38917	P5030	17458	Contact Washer for 38917	R6806	78236	Bracket Washer C for 38917	S8951A
65632	Sliding Bearing Flat for 38917	P5102	36889	Washer 10.5x16x1 for 38917	R6816	65644	Bracket Support for 38917	S919201
65633	Upper Plate Hinge for 38917	P5112	17460	Washer 34.2x46x0.5 for 38917	R6846	36974	Carriage Plexi Support for 38917	S9238
65634	Plate for Hinge for 38917	P5114	19674	Washer 44.5x51.5x0.2 for 38917	R6848	36976	Support for 38917	S9402
65635	Carriage Product Tray for 38917	P5333	77540	Washer 6.2x14x0.6 for 38917	R6854	36977	Sharpener Support for 38917	S9448
65636	Assy Carriage Tray for 38917	P5678	19675	Washer C for 38917	R6863	36978	Support Bracker for 38917	S9451
78235	End Grip for 38917	P6729	36892	Washer 17x30x4 for 38917	R6874	65645	Holder Blade Guard for 38917	S9452
79637	End Grip for 38917	P7019	16972	Washer 5.5x19x2.5 for 38917	R6884	65646	Bracket Tray for 38917	S9496
65637	Special Screw M6x25 X Knob for 38917	P7475	36893	Stainless Steel Special Washer 8.5x24x2 for 38917	R6897X	65647	Assy Carriage Tray Holder for 38917	S9634
65638	Special Screw Captive M8x44 for 38917	P7478	36897	Special Washer 5.5x22x1.5 for 38917	R6932	19878	Rubber Cap for 38917	T1002
36857	Protection Superiore Lama for 38917	P7969	65641	Special Washer X Sharpener 6x25x1 for 38917	R6959	19883	Label Oil for 38917	T1690
17448	Sharpener Pusher for 38917	P8601	61390	Thickness Dial Plate for 38917	R6966	65648	Slices Counter Label Opt3 for 38917	T1776
65639	Assy On/Off Switch + PCB for 38917	P9507	78261	Rotor Stator H.50 for 38917	R8021	65649	Blade Cover Fastener M8x312 for 38917	T5146
65640	Oil Receiver for 38917	R1027	65642	P.C.B. Protection Box for 38917	S103380	44014	Knife Cover Tie Rod (Release Knob) for 38917	T5182
19657	Washer 4 for 38917	R6003	19680	Ball 3 17 for 38917	S3005	19900	Driving Shaft for 38917	T8092
19659	Washer 8 for 38917	R6006	17465	Ball 4.76 for 38917	S3015	36999	Riding Pin (Diam.28) for 38917	T8538
36877	Washer 8.2x16x0.9 for 38917	R6207	36906	Circuit Board 120V/60 Opt.148 for 38917	S3284	79283	Shaft Pin for 38917	T9742
78258	Washer 30.5x46.5x0.6 for 38917	R6251	36908	Track C-CD for 38917	S3815	65650	Aluminum Gauge-Plate for 38917	V313605
19666	Washer for 38917	R6280	36910	LED KL74D250 for 38917	S6506	37013	Motor Fan MEC80 148x16 for 38917	V4014
36881	Washer U6593 5 (5.5x15x1.2) for 38917	R6507	36915	Pin Stainless Steel D.6x28 for 38917	S7516	37014	STEI Screw 6x20 for 38917	V6001
20422	Washer for 38917	R6509	36920	Pin 4x25 for 38917	S7526	37016	Screw STTC U6113 M4x25 for 38917	V6008
16967	Washer U65926 for 38917	R6512	36921	Stainless Steel 4x7 Pin M.C for 38917	S7527	37018	Screw STTC U6113 M6x6 for 38917	V6010
17457	Washer U6592 6 Stainless Steel for 38917	R6512X	36931	Pin 8x50 for 38917	S7669	37019	Screw M5x20 U5923 for 38917	V6027

PARTS BREAKDOWN

ITEM	MODEL
38917	MS-IT-0330-C

Item No.	Description	Position	Item No.	Description	Position	Item No.	Description	Position
65651	Vite STEI U5923 M8x40 INOX for 38917	V6040	37042	Screw TCEI U5931 M8x25 for 38917	V6254	17503	Screw M5x13 for 38917	V7908
60426	Stainless Steel Screw STEI U5923 M8x60 for 38917	V6041	77630	Stainless Steel Screw TCEI U5931 M4x12 for 38917	V634415	19717	Screw M6x50 for 38917	V7917
65652	Vite STEI U5923 M10x40 INOX for 38917	V604715	37058	Stainless Steel Screw M4x8 for 38917	V6370	19720	Screw M6 for 38917	V7934
37023	Screw STEI U5929 M5x5 for 38917	V6065	37059	Stainless Steel Screw M4x14 for 38917	V6371	19917	Screw BS for 38917	V7960
19691	Grub Screw M6x6 for 38917	V6066	37060	Stainless Steel Screw TE U5737 M5x12 for 38917	V6403X	16987	Special Screw M6x15 for 38917	V8020
19692	Screw M6x8 for 38917	V6067	65653	Stainless Steel Screw TE U5739 M6x12 for 38917	V6414X	37102	Screw M6x20 for 38917	V8035
37025	Screw STEI U5929 M6x8 for 38917	V6067X	37064	Screw TE U5739 M10x35 for 38917	V6415X	19920	Screw M8x30 for 38917	V8036
19695	Screw M10x30 for 38917	V6080	37066	Screw TE U5737 M6x15 for 38917	V6421	37104	Threaded Stud for 38917	V8042
37030	Screw M12x16 U5927 for 38917	V6081	37067	Screw TE U5739 M5x20 for 38917	V6423	37108	Special Fixed End Screw M6x17 for 38917	V8056
37031	Screw STEI U5929 M8x16 for 38917	V6083	AI245	Stainless Steel Screw TE U5739 M8x50 for 38917	V6456X	19726	Screw M5x21 for 38917	V8059
19697	Screw M5x16 for 38917	V6211	17497	Screw TSP U6109 M5x15 Stainless Steel for 38917	V7014X	37113	Screw for Carr. Index M8x25 for 38917	V8099
19699	Screw M4x25 for 38917	V6231	17498	Screw TSPEI U5933 M4x10 for 38917	V7043	65884	Sliding Bar Screw M14 P.1x13 CH17 for 38917	V8115
19700	Screw M6x16 for 38917	V6240	65654	Stainless Steel Screw U6110 M10x30 for 38917	V706915	37114	Stainless Steel Screw M6x25 for 38917	V8130
19702	Screw M6x25 for 38917	V6246	37088	Screw TSP AUT.U6952 4.2x16 INOX for 38917	V708015			
37039	Screw TCEI U5931 M6x25 Inox for 38917	V6246X	17502	Screw M3x5.5 for 38917	V7901			