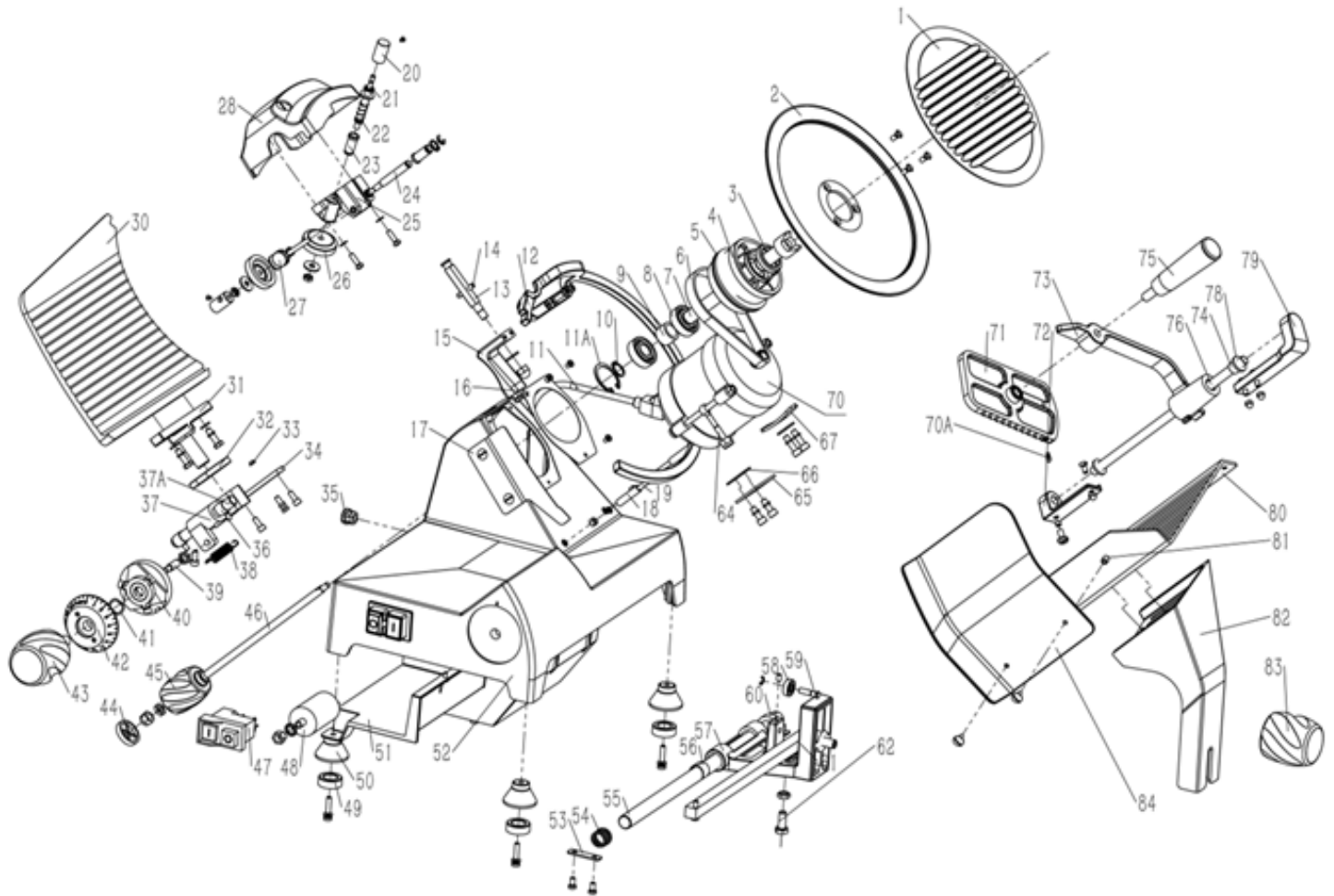


Parts Breakdown

Model MS-CN-0195 39467





Parts Breakdown

Model MS-CN-0195 39467

Item No.	Description	Position	Item No.	Description	Position	Item No.	Description	Position
AL422	Blade Cover for 39467	1	AL450	Sharpener Cover for 39467	28	AL478	Bushing for 39467	56
AL423	Blade for 39467	2	AL451	Regulator Plate for 39467	30	AL479	Towing Bracket Tripod for 39467	57
AL424	Oil Seal for 39467	3	AL452	Regulator Plate Bracket for 39467	31	AL480	Bearing for 39467	58
AL425	Water Seal Ring for 39467	4	AL453	Regulator Plate Cover for 39467	32	AL481	Roller Shaft for 39467	59
AL426	Blade Belt Wheel for 39467	5	AL454	Plastic Wear Parts for 39467	33	AL482	Towing Bracket Cushion for 39467	60
AL427	Belt for 39467	6	AL455	Guide Plate for 39467	34	AL483	Guide for 39467	61
AL428	Positioning Core for 39467	7	AL456	Thread Buckle for 39467	35	AL484	Nylon Bolt for 39467	62
AL429	Bearing 6202 for 39467	8	AL457	Bushing for 39467	36	AL485	Screw for 39467	64
AL430	Bearing Sleeve for 39467	9	AL458	Slider for 39467	37	AL486	Motor Tensioning Plate for 39467	65
AL431	External Circlip for 39467	10	AL459	Slider Axis for 39467	37A	AL487	Motor Shock Pad for 39467	66
AL432	Power Cord for 39467	11	AL460	Slider Spring for 39467	38	AL488	Motor Press Plate for 39467	67
AL433	Circlip for Hole for 39467	11A	AL461	Slide Pin for 39467	39	AL489	Motor for 39467	70
AL434	Guard Ring for 39467	12	AL462	Cam Assembly for 39467	40	AL490	Press Plate Strut for 39467	70A
AL435	Sharpener Support Shaft for 39467	13	AL463	Wave Washer for 39467	41	AL491	Pressing Plate for 39467	71
AL436	Slide Pin for 39467	14	AL464	Dial for 39467	42	AL492	Small Metal Support for 39467	72
AL437	Guard Ring Bracket for 39467	15	AL465	Thickness Adjuster Knob for 39467	43	AL493	Pressing Plate Bracket for 39467	73
AL438	Water Seal Retaining Ring for 39467	16	AL466	Rear Knob Cover for 39467	44	AL494	Bushing for 39467	74
AL439	Scraper Plate for 39467	17	AL467	Back Screw Knob for 39467	45	AL495	Pressing Plate Handle for 39467	75
AL440	Support Tube for 39467	18	AL468	Blade Cover Tightening Screw for 39467	46	AL496	Pressing Plate Shaft for 39467	76
AL441	Screw for 39467	19	AL469	Switch for 39467	47	AL497	Pressing Plate Shock Pad for 39467	78
AL442	Sharpener Button for 39467	20	AL470	Capacitance for 39467	48	AL498	Large Metal Support for 39467	79
AL443	Grinding Wheel Shaft for 39467	21	AL471	Shock Pad for 39467	49	AL499	Carriage Feed Tray for 39467	80
AL444	Wheel Spring for 39467	22	AL472	Rubber Foot for 39467	50	AL500	Press Riveting Stud for 39467	81
AL445	Shaft Copper Sleeve for 39467	23	AL473	Bottom Cover for 39467	51	AL501	Bracket for 39467	82
AL446	Debarring Wheel Rod for 39467	24	AL474	Base for 39467	52	AL502	Knob for 39467	83
AL447	Grinding Wheel Rack for 39467	25	AL475	Press Shaft Locking Piece for 39467	53	AL503	Carriage Feed Tray Guard for 39467	84
AL448	Grinder Wheel for 39467	26	AL476	Towing Bracket Spring for 39467	54			
AL449	Screw for 39467	27	AL477	Towing Bracket Support Shaft for 39467	55			