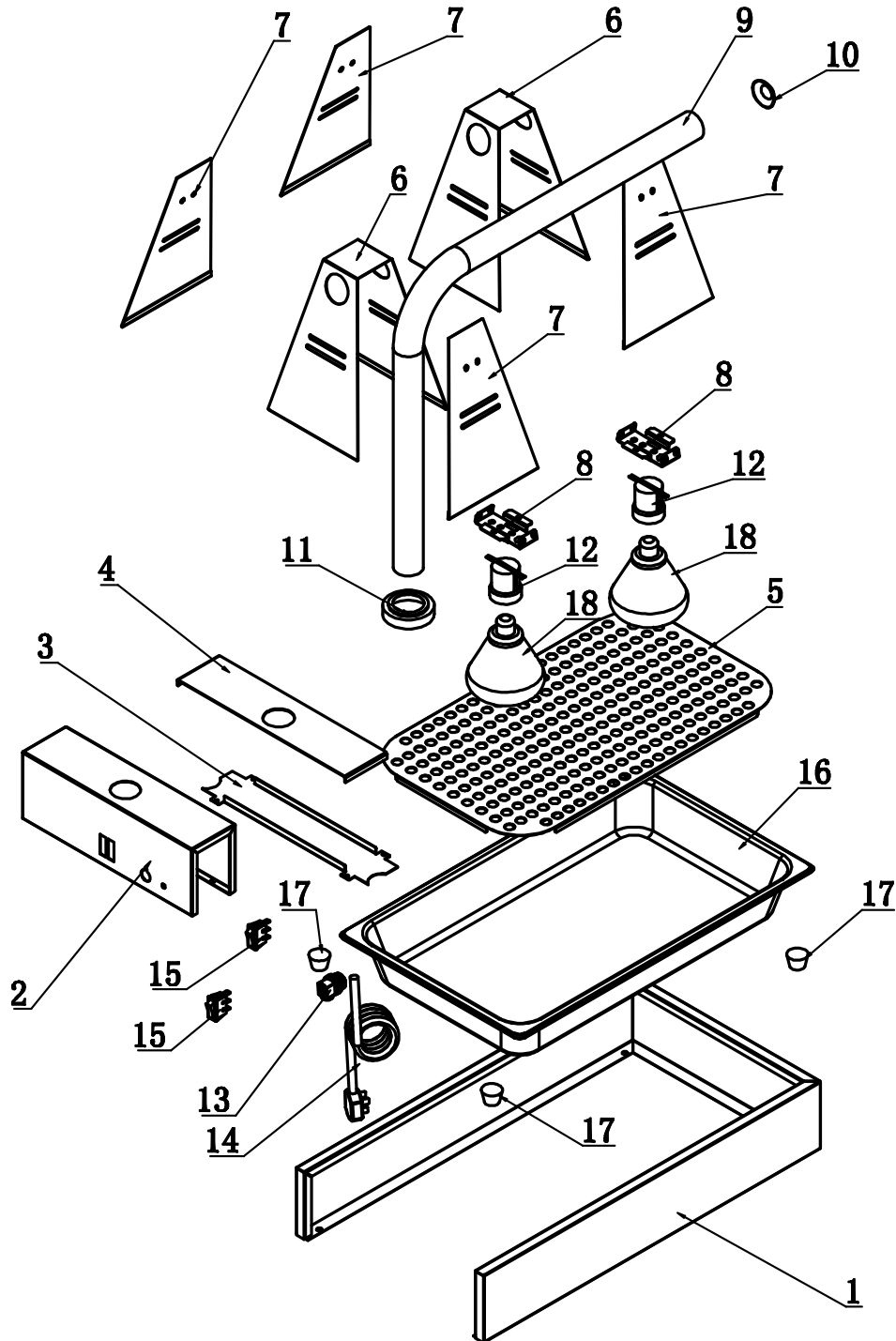


Parts Breakdown

Model FW-CN-0936 39601



Parts Breakdown

Model FW-CN-0936 39601

| Item No. | Description | Position | Item No. | Description | Position | Item No. | Description | Position |
|----------|-----------------------------|----------|----------|--------------------------------------|----------|----------|---------------------------------------|----------|
| 69965 | Coaming for 39601 | 1 | 69971 | Lampshade Side Plate for 39601 | 7 | 69977 | Silicone Loop Bushing 10 for 39601 | 13 |
| 69966 | Control Panel for 39601 | 2 | 69972 | Lamp Base Fixed Plate for 39601 | 8 | 69978 | Power Wire 3x1mmsq 3 Meters for 39601 | 14 |
| 69967 | Bottom Seal Plate for 39601 | 3 | 69973 | Lampshade Rail for 39601 | 9 | 69979 | Red Switch for 39601 | 15 |
| 69968 | Stiffening Plate for 39601 | 4 | 69974 | Cover of Lampshade Rail 38 for 39601 | 10 | 69980 | GN Pan 1/1 for 39601 | 16 |
| 69969 | Filter Plate for 39601 | 5 | 69975 | Steel Pipe Set 38 for 39601 | 11 | 69981 | Plastic Feet for 39601 | 17 |
| 69970 | Lampshade Body for 39601 | 6 | 69976 | E27 Ceramic Lamp Holder for 39601 | 12 | 69420 | Heating Lamp Bulb for 39601 | 18 |