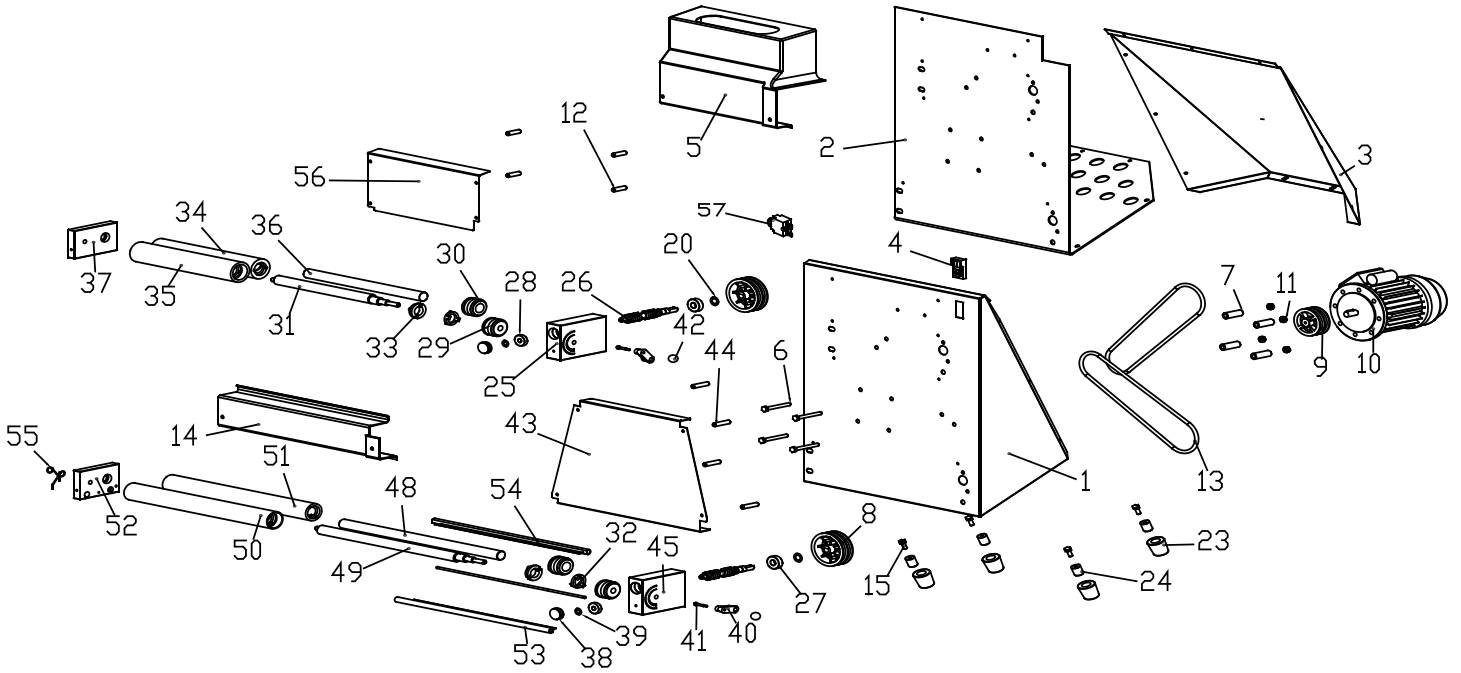


Parts Breakdown

Model BE-CN-0400 39638



Parts Breakdown

Model BE-CN-0400 39638

Item No.	Description	Position	Item No.	Description	Position	Item No.	Description	Position
41970	Body for 39638	1	41993	Rubber Bar for 39638	24	42010	Bar for 39638	41
41971	Board for 39638	2	41994	Supporter B for 39638	25	42011	Ball Handle for 39638	42
41972	Back Cover for 39638	3	41995	Worm A for 39638	26	42012	Lower Plate for 39638	43
41973	Switch for 39638	4	41996	Axletree A for 39638	27	42013	Supporter Bar A for 39638	44
41974	Up Cover for 39638	5	41997	Axletree B for 39638	28	42014	Supporter C for 39638	45
41975	Screw for 39638	6	41998	Worm Wheel A for 39638	29	42017	Roller Shaft A for 39638	48
41976	Supporting Tube for 39638	7	41999	Worm Wheel B for 39638	30	42018	Eccentric Axle B for 39638	49
41977	Belt Wheel B for 39638	8	42000	Eccentric Axle A for 39638	31	42019	Roller C for 39638	50
41978	Belt Wheel A for 39638	9	42001	Transit Ring for 39638	32	42020	Roller A for 39638	51
41979	Motor for 39638	10	42002	Transit Ring for 39638	33	42021	Supporter D for 39638	52
41980	Nut for 39638	11	42003	Roller B for 39638	34	42022	Scraper A for 39638	53
41981	Supporter Bar B for 39638	12	42004	Roller D for 39638	35	42023	Scraper B for 39638	54
41982	Belt for 39638	13	42005	Roller Shaft B for 39638	36	42024	Spring for 39638	55
41983	Low Cover for 39638	14	42006	Supporter A for 39638	37	42025	Upper Plate for 39638	56
41984	Screw for 39638	15	42007	Cover for 39638	38	AN752	Thermo-Protection of Engine for 39638	57
41989	Ring for 39638	20	42008	Ring for 39638	39			
41992	Rubber Foot for 39638	23	42009	Ball Handle for 39638	40			