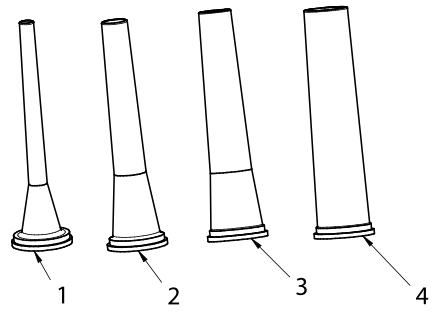
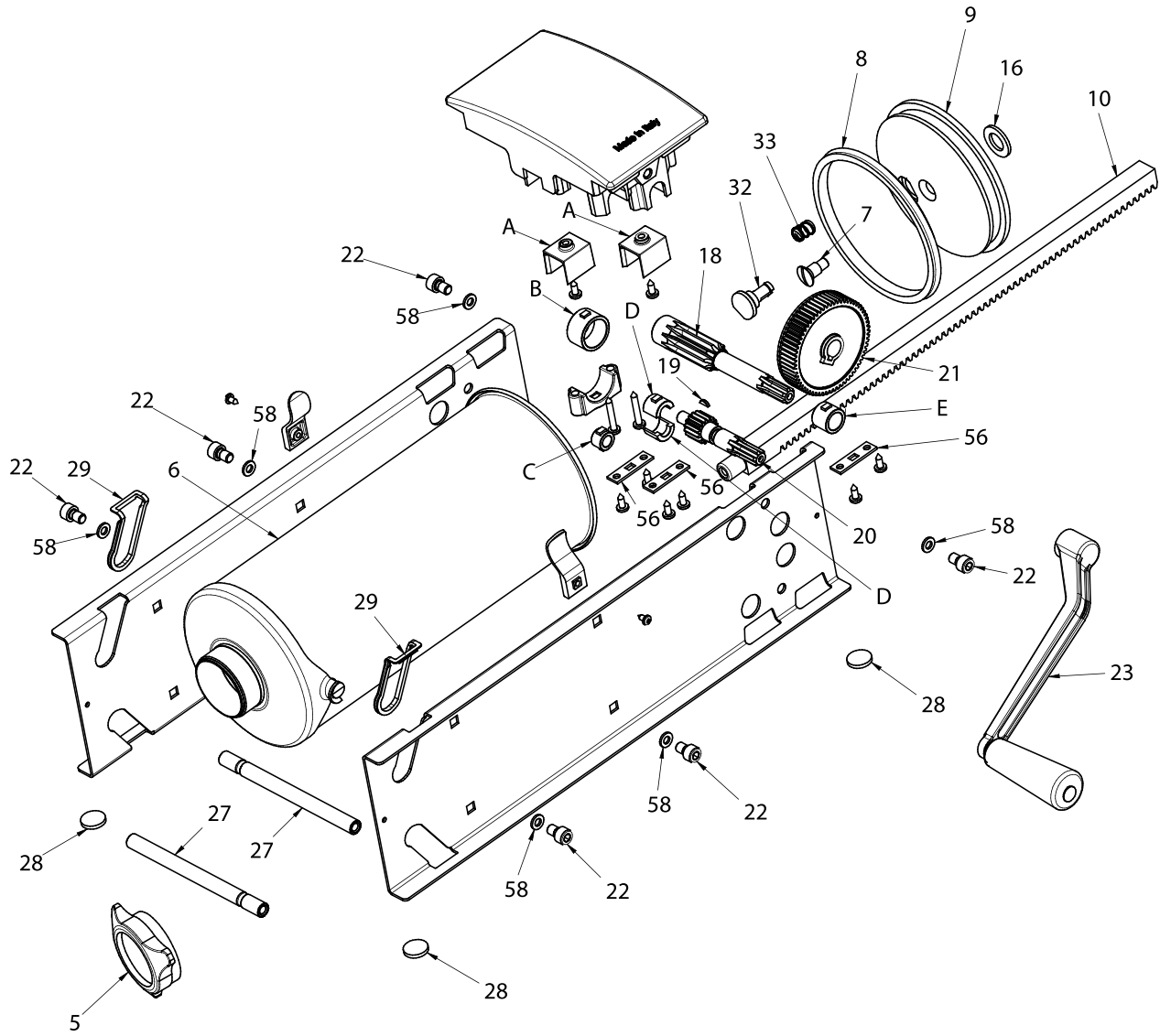


# Parts Breakdown

Item 40517



$A+B+C+D+E= 44$   
 $13+(28 \times 4)= 128$   
 $8+9= 108$   
 $32+33=132$   
 $(29 \times 2)= 129$

# Parts Breakdown

---

## Item 40517

Item No.	Description	Position	Item No.	Description	Position	Item No.	Description	Position
10124	Plastic Spout 10mm for 40517	1	27635	Washer Between Rack and Piston for 40517	16	AD704	Bushing Fixing Plate for 40517	56
10125	Plastic Spout 20mm for 40517	2	44862	Rack Control Shaft for 40517	18	61406	Casing Washer for 40517	58
10126	Plastic Spout 30mm for 40517	3	21594	Key for 40517	19	15269	Piston and Gasket for 40517	108
10127	Plastic Spout 40mm for 40517	4	44863	Pinion for 40517	20	44904	Cylinder Wings Holder for 40517	128
15279	Screw Ring for 40517	5	44864	Toothed Wheel for 40517	21	AC747	Slide Washer Kit for 40517	129
44858	Cylinder for 40517	6	AD703	Screw for Spacer for 40517	22	15313	Air Valve and Spring for 40517	132
15285	Piston Screw for 40517	7	15272	Handle for 40517	23	44860	Gear Block Complete with Gear and Bushes for 40517	
15274	Gasket Silicone for 40517	8	AD702	Spacer for 40517	27			
44859	Rack for 40517	10	44861	Bushes Kit for 40517	44			