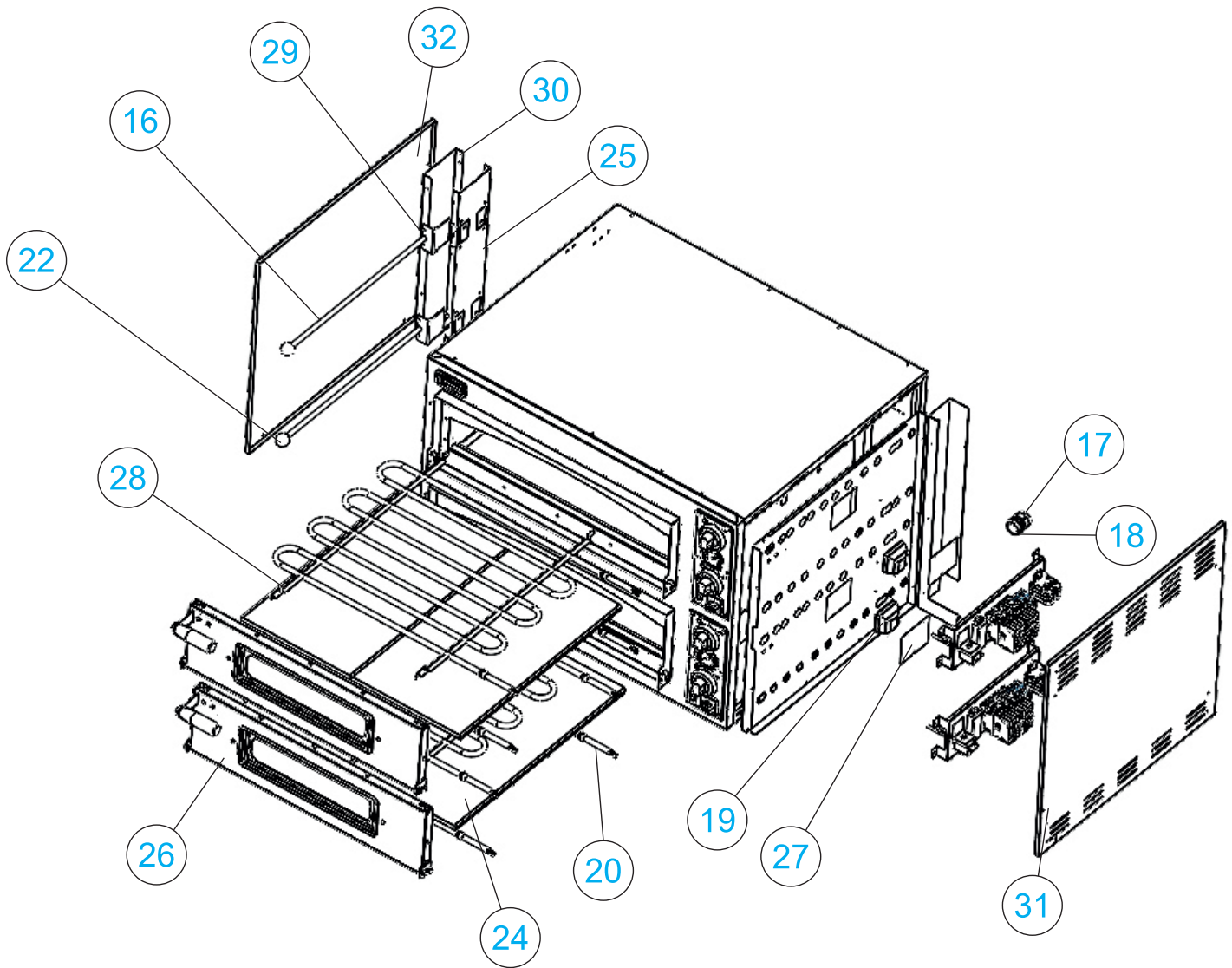


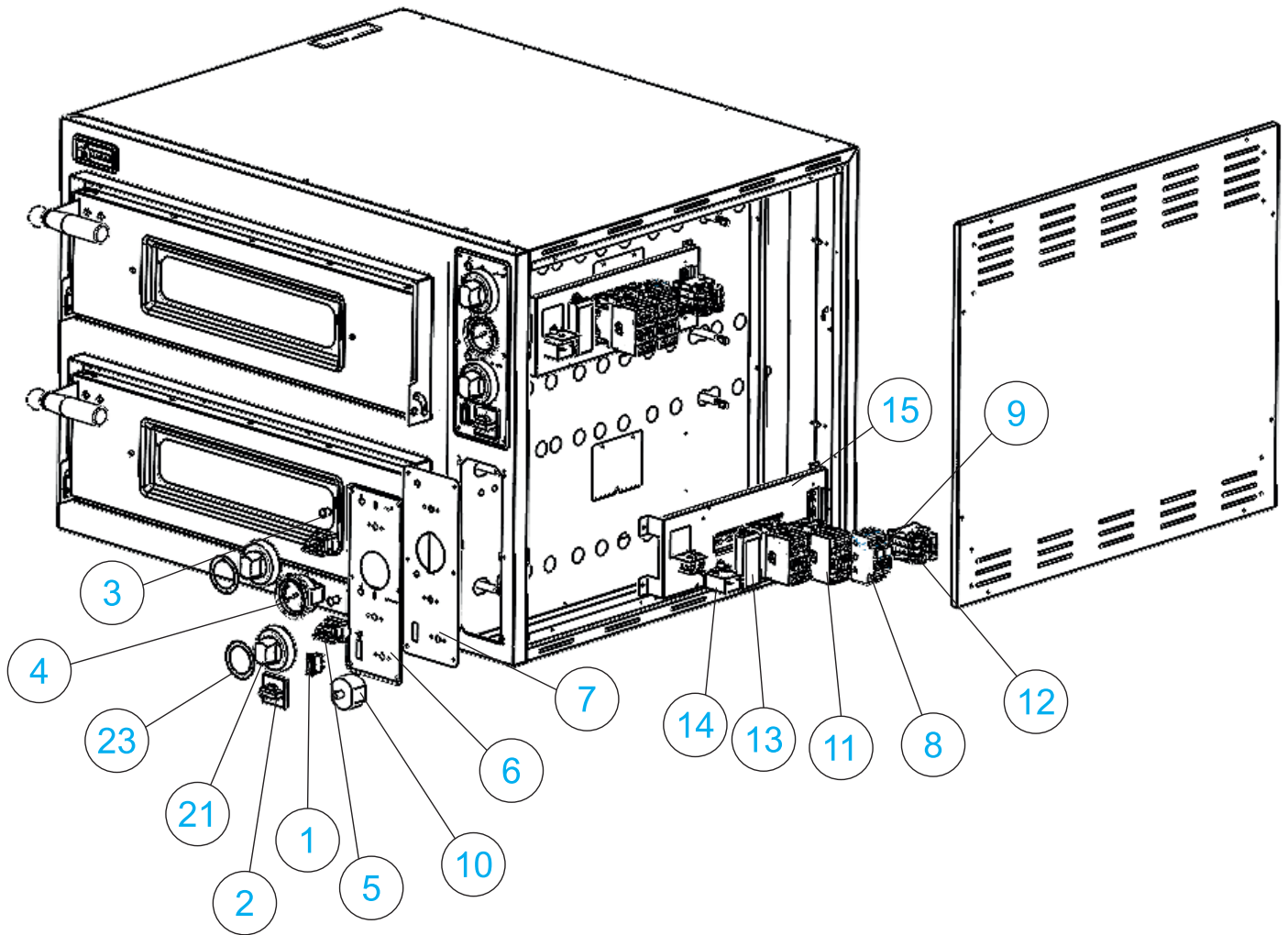
# PARTS BREAKDOWN

| ITEM  | MODEL        |
|-------|--------------|
| 40636 | PE-IT-0038-D |



# PARTS BREAKDOWN

| ITEM  | MODEL        |
|-------|--------------|
| 40636 | PE-IT-0038-D |



# PARTS BREAKDOWN

| ITEM  | MODEL        |
|-------|--------------|
| 40636 | PE-IT-0038-D |

| Item No. | Description   | Position | Item No. | Description   | Position | Item No. | Description                             | Position |
|----------|---|----------|----------|---|----------|----------|---|----------|
| 42048    | Luminous Unipolar Red Switch for 40636                                    | 1        | AQ716    | Assembled Terminal Block 4 Poli + Ground G/V + Block Module 600V/100A Mounted on Din Rail L=110mm for 40636 | 12       | 46194    | Thermostat Knob Label BL for 40636      | 23       |
| 74760    | Grey Plate/Black Knob 48x48 (for Giovenzana Mainswitch 16/32 A) for 40636 | 2        | 62493    | Transformer 40VA 50/60Hz 230V-12V for 40636   | 13       | 76650    | Brick 350x700x14 for 40636              | 24       |
| 42848    | Transparent LED Bulb 380V (Including Hood) for 40636                      | 3        | AM700    | Unipolar Safety Thermostat 512TH - UL (55.13584.010) T.D. 8514.90.70 for 40636                              | 14       | AQ719    | Chimney Base for 40636                  | 25       |
| 74749    | Thermometer Ø 60 Tar. 0-500C for 40636                                    | 4        | AQ717    | Electrical Support System Entry 230V for 40636  | 15       | 76604    | Complete Door for 40636                 | 26       |
| AM897    | Unipolar Thermostat Ego 450 Deg - (55.19082.805 - EU) for 40636           | 5        | AQ718    | Chimney Closure Rod M8x580 for 40636  | 16       | AQ720    | Lamp Hole Closure Panel for 40636       | 27       |
| AQ712    | Front Command Label Polic. Release 2018 for 40636                         | 6        | AM850    | Cable Gland PG29 Gray for 40636   | 17       | AN340    | Resistor Support for 40636              | 28       |
| AQ713    | Command Panel for 40636   | 7        | AM851    | Lock Nut PG29 Gray for 40636  | 18       | AQ721    | Chimney Closure Bracket for 40636       | 29       |
| 44919    | Fuse for 40636  | 8        | AQ161    | Lamp Holder 80x65 with Cables PTFE - Glass - Lamp G4 12V 20W 450C for 40636                                 | 19       | AQ722    | Single-Chamber Chimney Casing for 40636 | 30       |
| AQ714    | Mersen Fuse Holder for 10x38 Fuses - UL for 40636                         | 9        | 76612    | Resistor 2800 W 230 V Prime for 40636   | 20       | 77229    | RH Side Panel for 40636                 | 31       |
| 42035    | 16 A Actuator P0160004R001 4-Polar Switch Yellow for 40636                | 10       | 77272    | Thermostat Knob for 40636   | 21       | 77228    | LH Side Panel for 40636                 | 32       |
| AQ715    | Contactore 4P NO 30A 100-250V 50-60 Hz AF16-40-00-13 for 40636            | 11       | 76614    | Spheric Knob PLX.30-M8-C9 for 40636   | 22       |          |   |          |