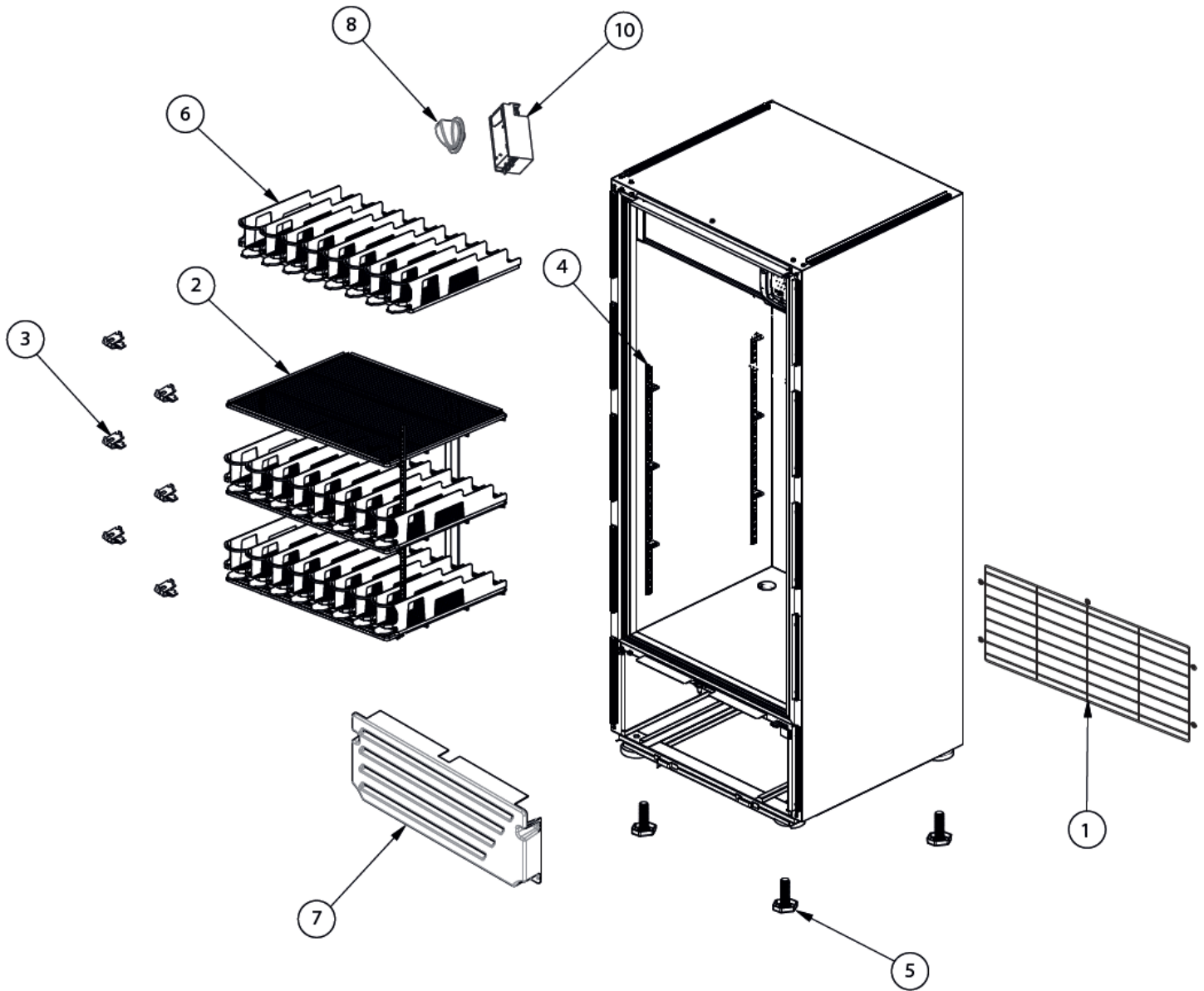


Parts Breakdown

Model VR10 41216

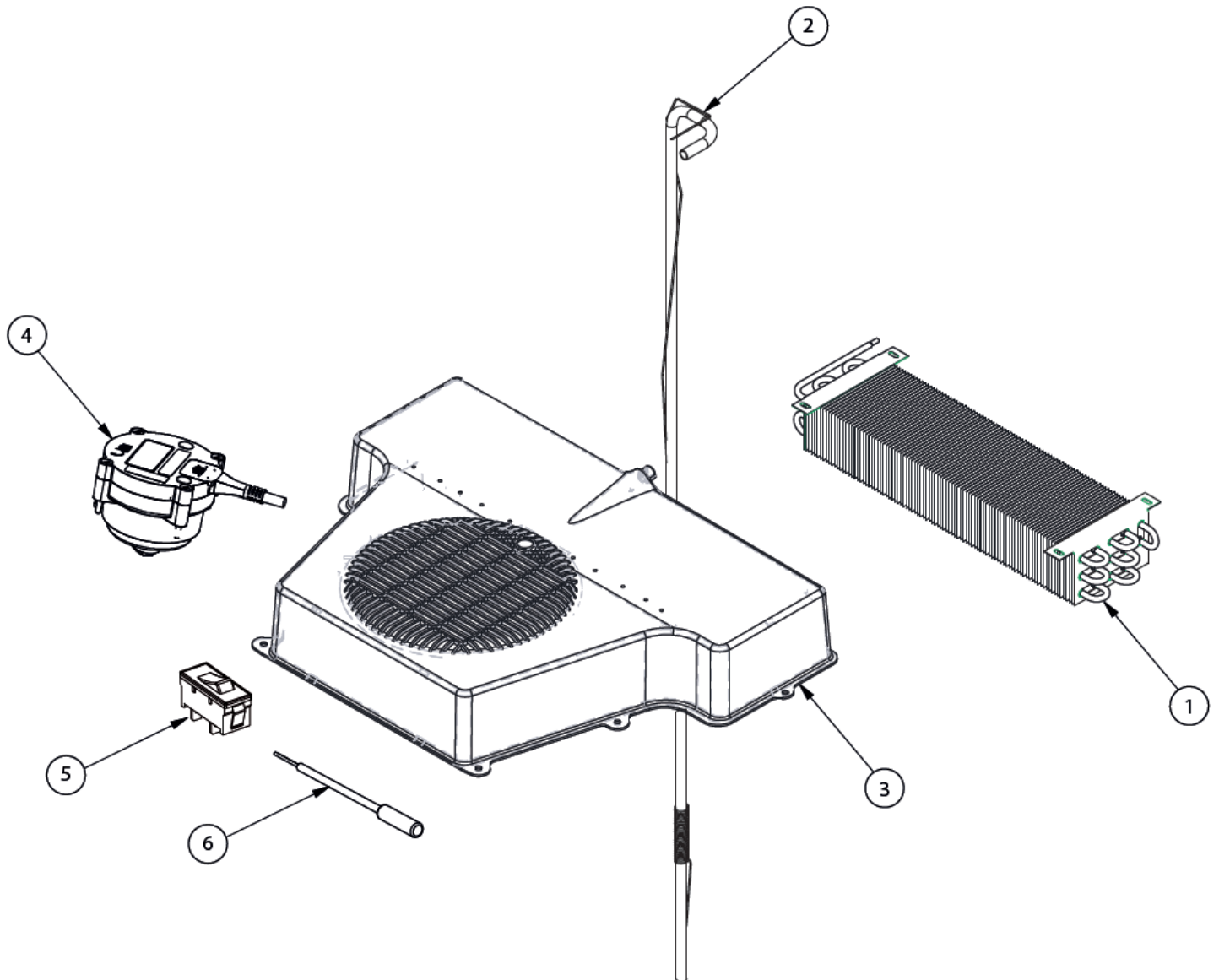
General Assembly



Parts Breakdown

Model VR10 41216

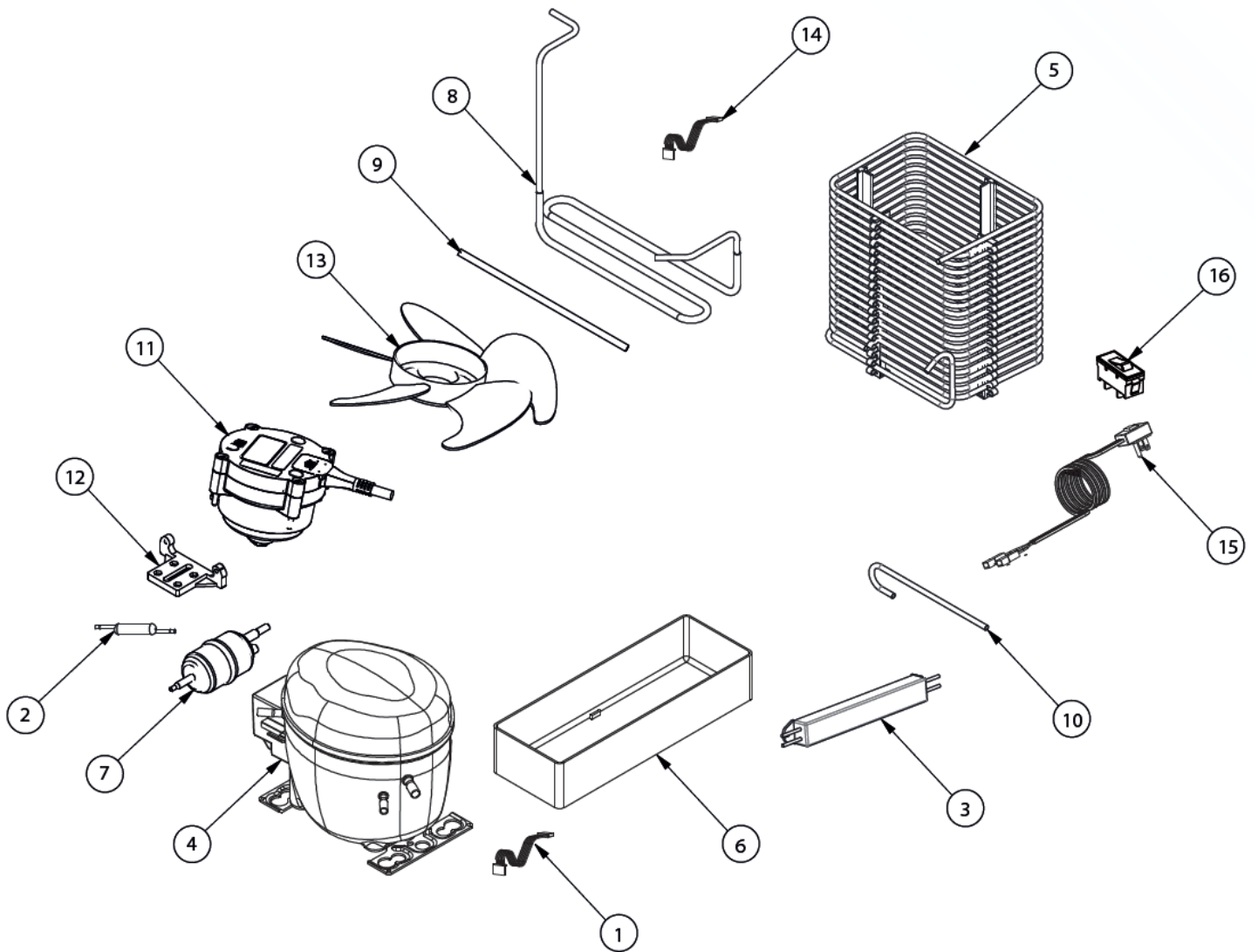
Evaporator Assembly



Parts Breakdown

Model VR10 41216

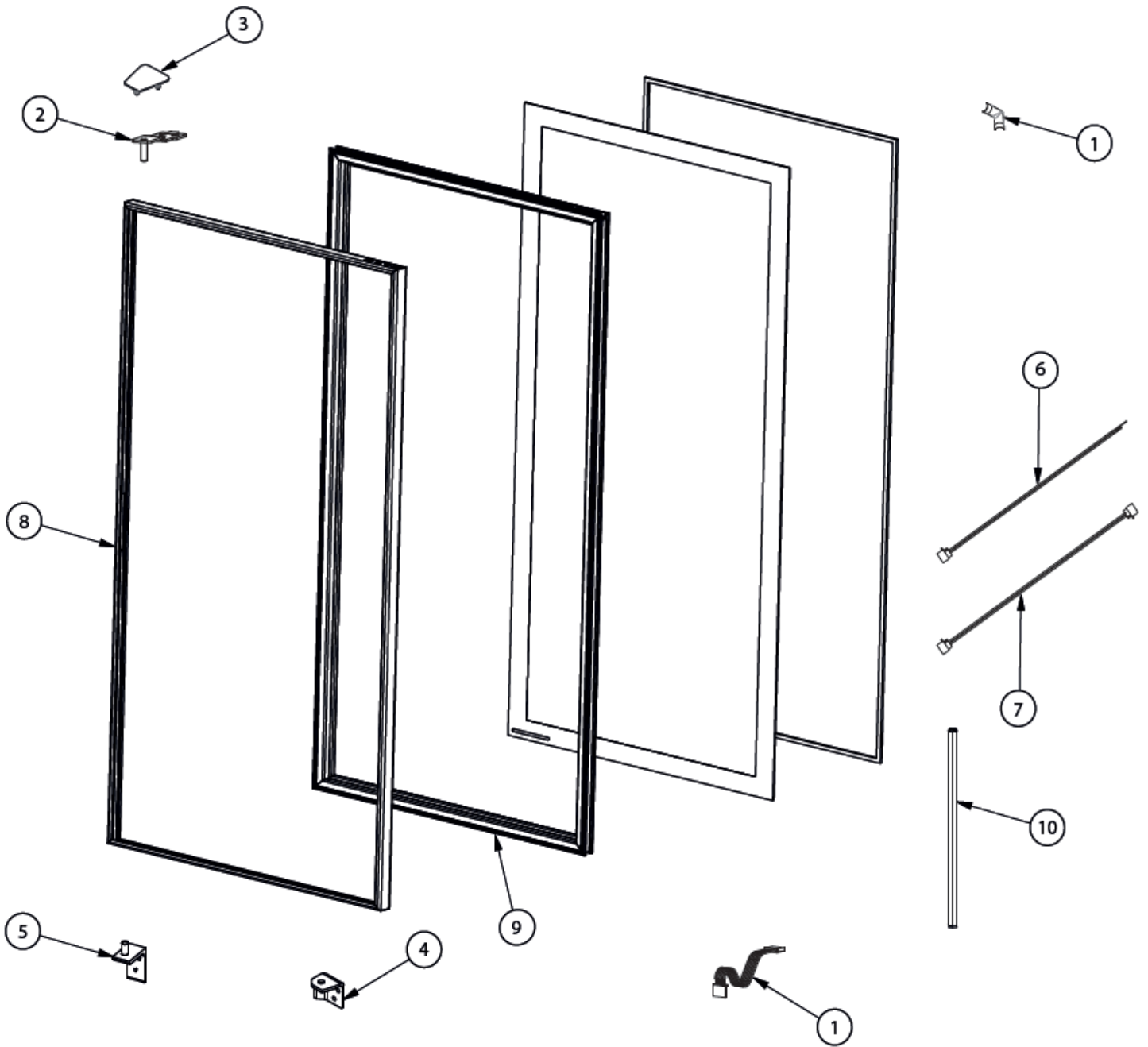
Condenser Assembly



Parts Breakdown

Model VR10 41216

Door Assembly



Parts Breakdown

Model VR10 41216

General Assembly

Item No.	Description	Position	Item No.	Description	Position	Item No.	Description	Position
66460	Grill, Wire Rear VR10x12 UL for 41216	1	66443	Leveling Screw, 1/2"-13x1 1/2" for 41216	5	66400	Thermometer, Wall MTG for 41216	9
66461	Shelf for 41216	2	66463	Kit Visislide Low 6 FTES CCE V12 for 41216	6	66438	Controller, ELE BEV 115V N/SEN for 41216	10
66399	Clip, F/Pilaster 16G Polished for 41216	3	66464	Front Grill, THER BK V14 L/RHinge PL for 41216	7			
66462	Pilaster 212 3B Diam 6.7 for 41216	4	66396	Knob, ABS Control for 41216	8			

Evaporator Assembly

Item No.	Description	Position	Item No.	Description	Position	Item No.	Description	Position
66465	Evaporator 150 14T 5/16 CU 6FPI FL400 for 41216	1	66466	Evaporator Housing MET 4N for 41216	3	66468	Rocker Switch, BK for 41216	5
66405	Cap Tube 0.036x96" for 41216	2	66467	Motor E WEL 1/70HP 115V 50/60HZ 1800RPM for 41216	4	66469	Temp Sensor, ETC1H 1.0M for 41216	6

Condenser Assembly

Item No.	Description	Position	Item No.	Description	Position	Item No.	Description	Position
66470	Main Harness ETC1H BL for 41216	1	66417	Filter Dryer 0.9 HP DCL for 41216	7	66477	Fan Blade ELC PLA 8" Diam. 28 Deg. for 41216	13
66471	Accumulator CU 1 3/8" Diam.x4" for 41216	2	66473	Discharge Pipe 1/4" 1.000M for 41216	8	66478	Arnes Unidas ETC1H UL for 41216	14
66449	LED Driver, VB-12030D018 30W 115V 50/60HZ for 41216	3	66419	Charge Pipe 1/4" 0.180M for 41216	9	66425	Power Cord 115V 15A 14AWG for 41216	15
66472	Compressor EMB EMI55HER 115V 60HZ for 41216	4	66474	Vacuum Pipe 1/4" 0.450M for 41216	10	66402	Rocker Switch, BK for 41216	16
66451	Condenser, HEL 13S 5/16 CU SQU for 41216	5	66475	Motor, E ELC 16W 115V 50/60HZ 1850RPM for 41216	11			
66452	ABS Condenser Pan for 41216	6	66476	Nylon T Motor Injected Support for 41216	12			

Door Assembly

Item No.	Description	Position	Item No.	Description	Position	Item No.	Description	Position
66479	PVC Drain Curved Coupler for 41216	1	66482	Met Bottom Hinge LEF SCC TR34.5 for 41216	5	66486	Universal Door Gasket 628x1098mm for 41216	9
66434	Met Top Hinge UNI Slope OPT for 41216	2	66483	F-M Moduled Harness for 41216	6	66455	Module, 6 LEDS 1.2W 12V for 41216	10
66480	Hinge Top OPT BL Cover for 41216	3	66484	F-Driver Moduled Harness for 41216	7			
66481	MET Bottom Hinge RIG SCC TR34.5 for 41216	4	66485	Door G J RHG LED SCC BDH for 41216	8			