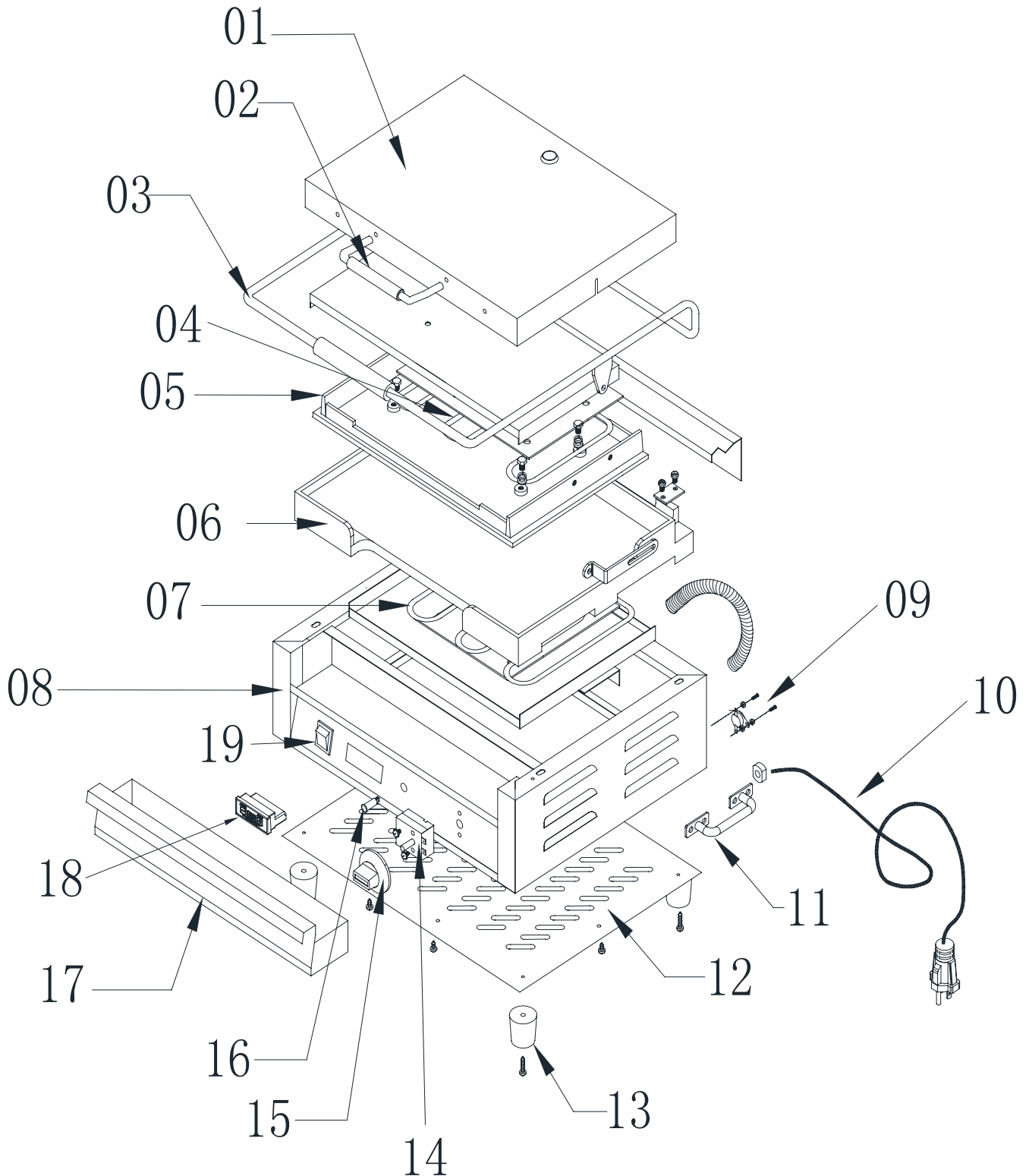


Parts Breakdown

Model PG-CN-0679-FT 42911



Parts Breakdown

Model PG-CN-0679-FT 42911

Item No.	Description	Position	Item No.	Description	Position	Item No.	Description	Position
64424	Lid for 42911	1	64429	Body for 42911	8	64412	Dial for 42911	15
64425	Small Handle for 42911	2	64407	Thermo Cut Out for 42911	9	64413	Indicator Light for 42911	16
64426	Big Handle for 42911	3	64408	Plug and Lead for 42911	10	64431	Oil Tray for 42911	17
64427	Top Element for 42911	4	64409	Side Handle for 42911	11	64414	Timer for 42911	18
73062	Top Cast Iron for 42911	5	64430	Bottom Plate for 42911	12	64415	On/Off Switch for 42911	19
73063	Bottom Cast Iron for 42911	6	64410	Rubber Foot for 42911	13	64416	Wire (per Meter) for 42911	
64428	Bottom Element for 42911	7	64411	Thermostat for 42911	14			