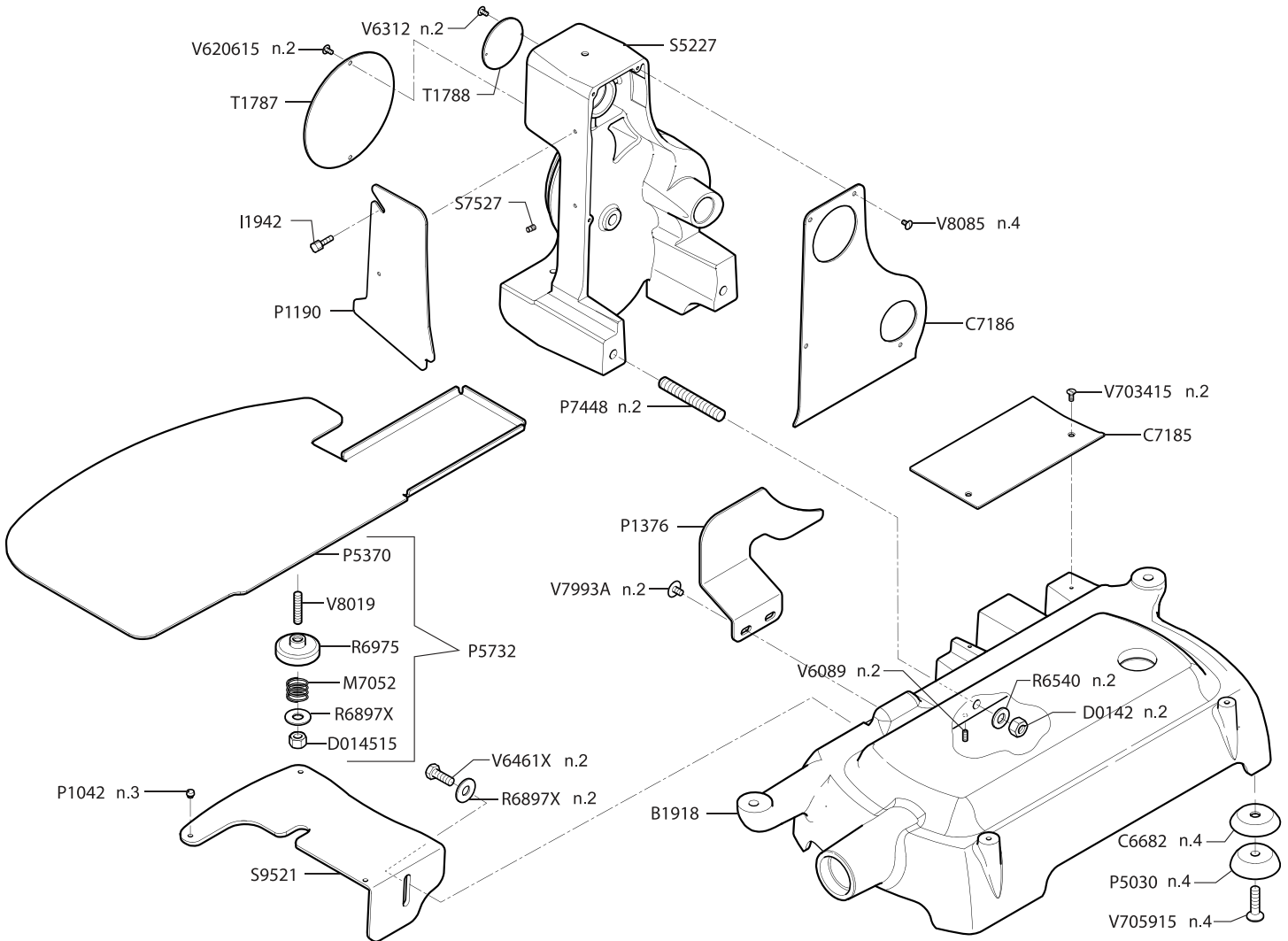


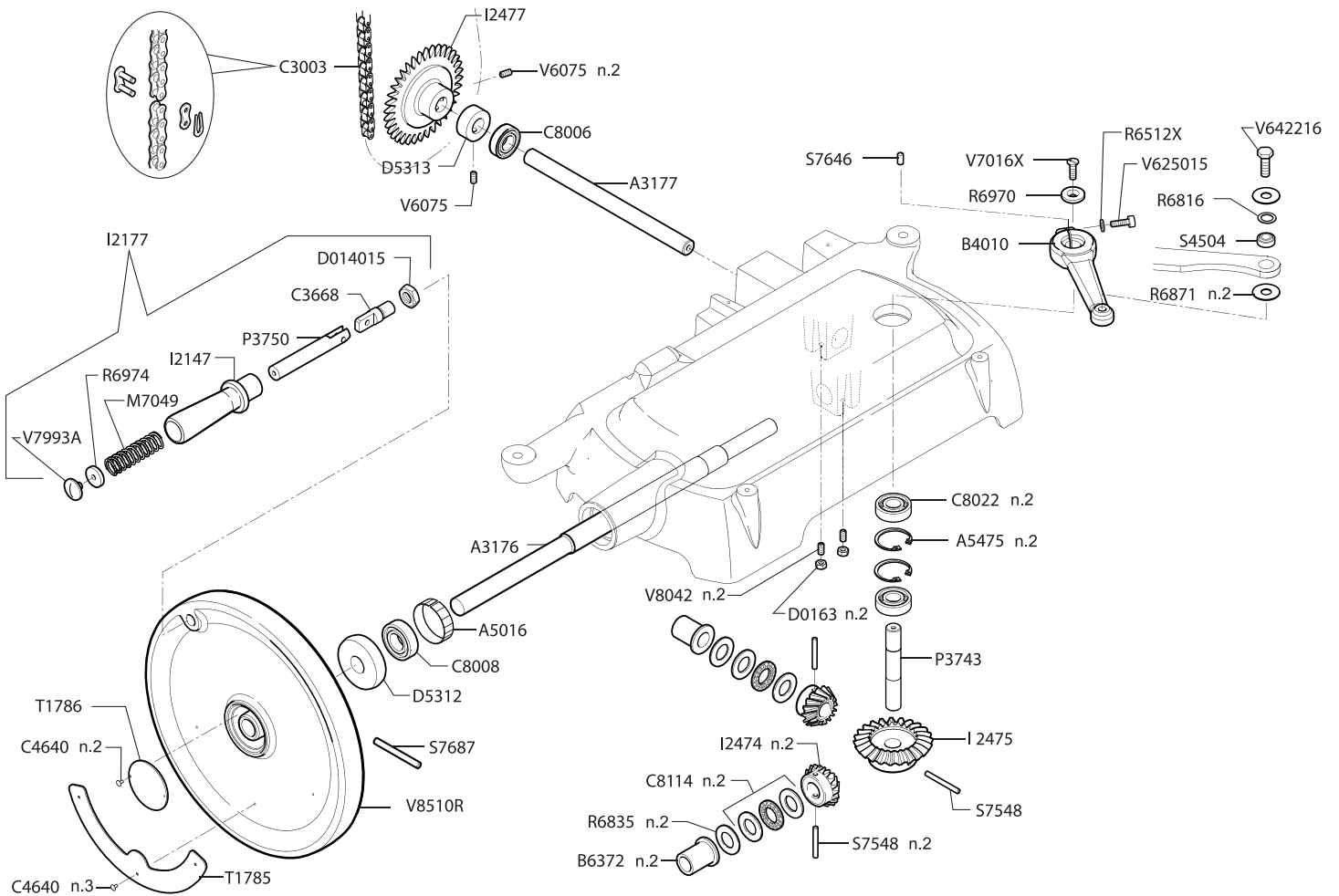
PARTS BREAKDOWN

ITEM	MODEL
44007	MS-IT-0319-M



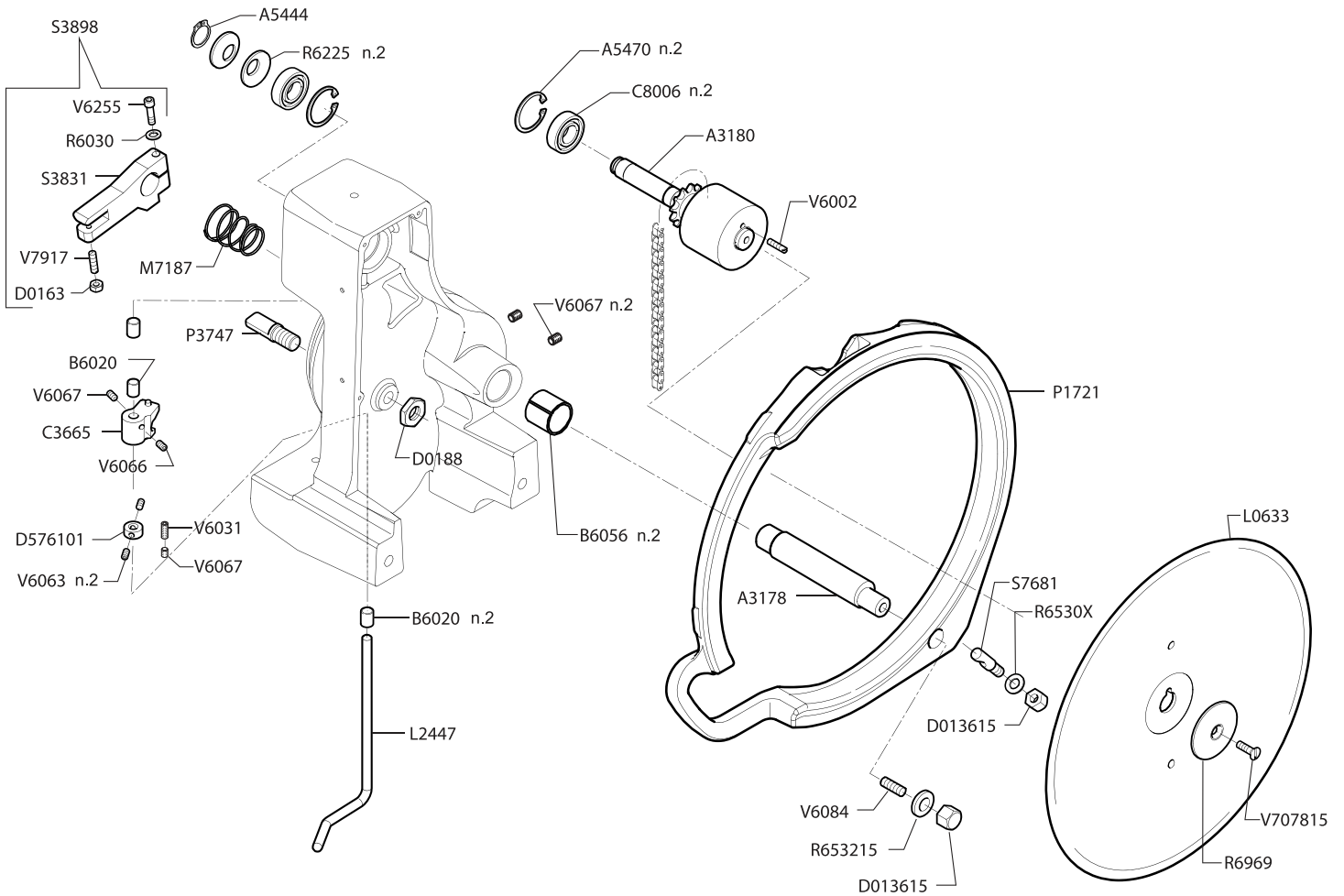
PARTS BREAKDOWN

ITEM	MODEL
44007	MS-IT-0319-M



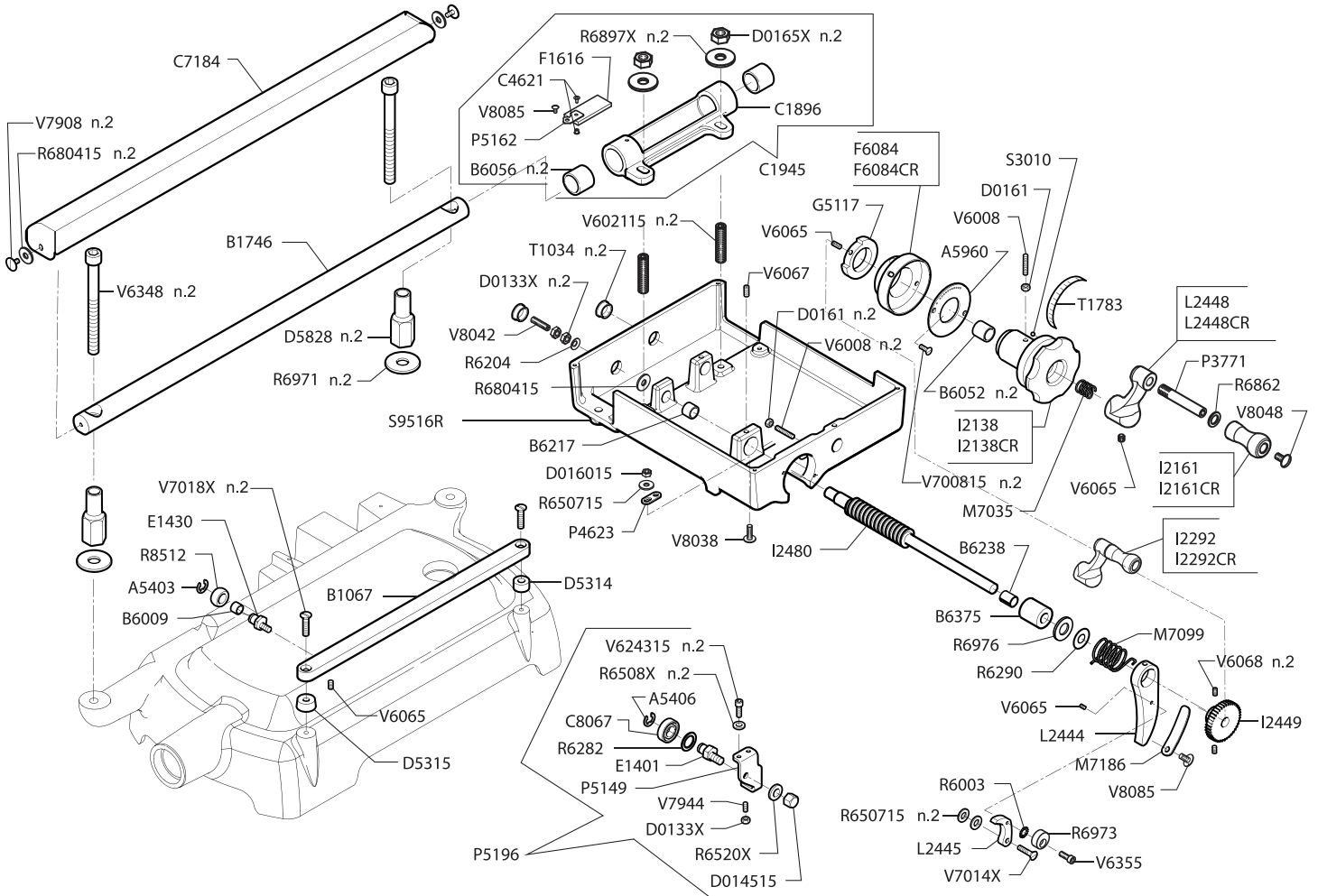
PARTS BREAKDOWN

ITEM	MODEL
44007	MS-IT-0319-M



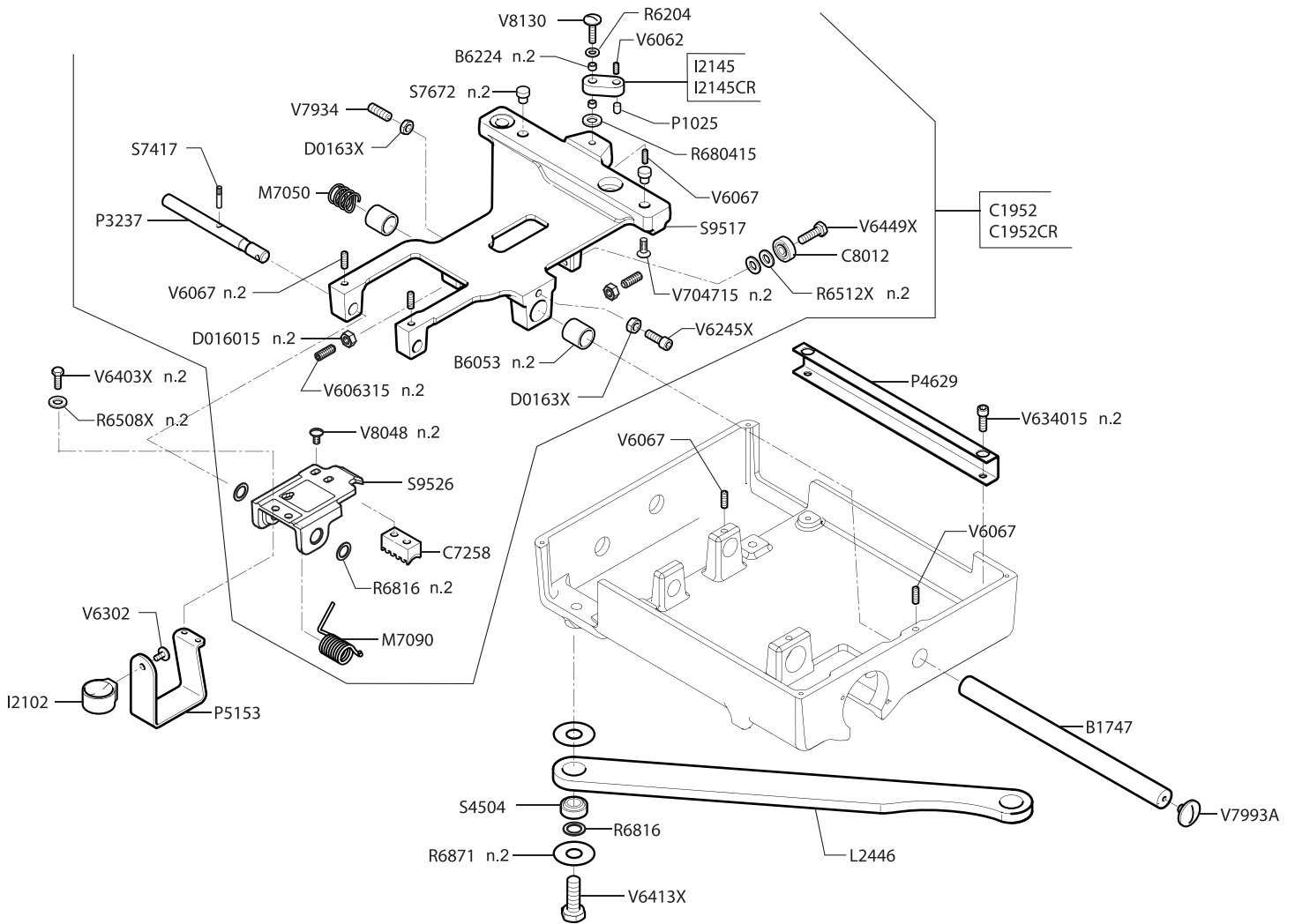
PARTS BREAKDOWN

ITEM	MODEL
44007	MS-IT-0319-M



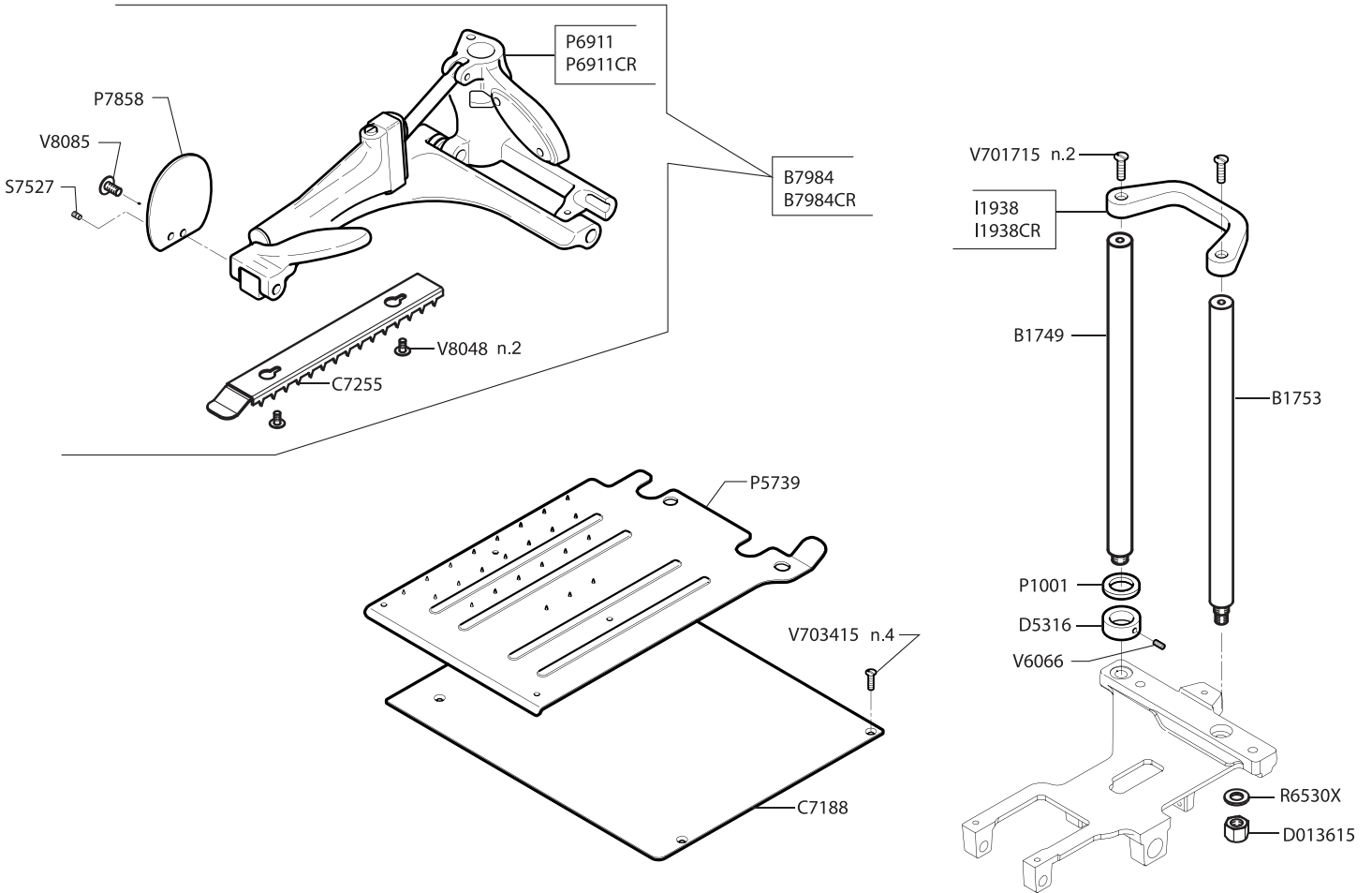
PARTS BREAKDOWN

ITEM	MODEL
44007	MS-IT-0319-M



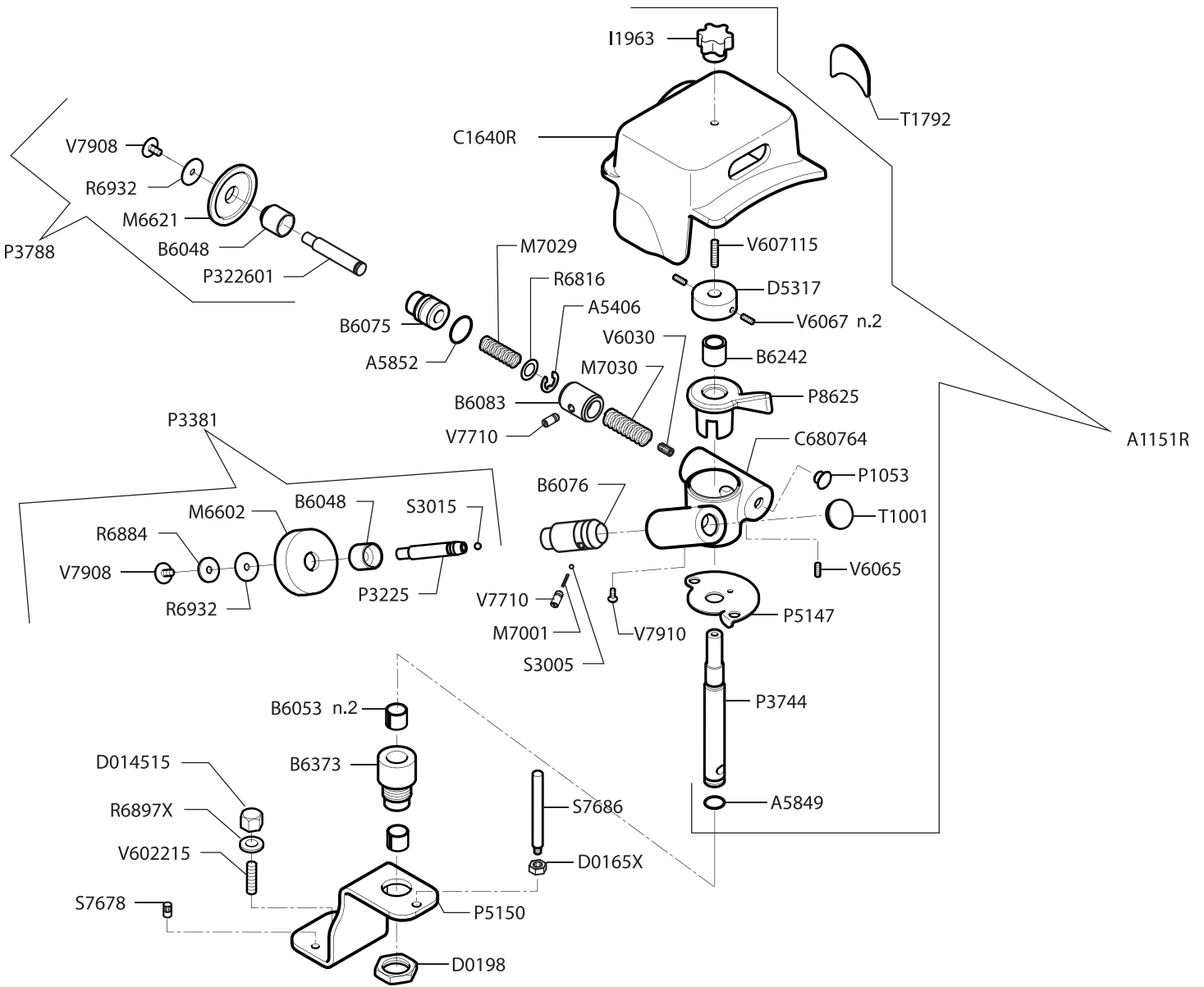
PARTS BREAKDOWN

ITEM	MODEL
44007	MS-IT-0319-M



PARTS BREAKDOWN

ITEM	MODEL
44007	MS-IT-0319-M



PARTS BREAKDOWN

ITEM	MODEL
44007	MS-IT-0319-M

Item No.	Description	Position	Item No.	Description	Position	Item No.	Description	Position
65118	Sharpener Assembled Red for 44007	A1151R	17304	Bushing DU 25x28x20 for 44007	B6056	65150	Trolley Bar Cover for 44007	C7184
65120	Tree Flyer for 44007	A3176	16906	Bush Sharpening for 44007	B6075	65151	Cover Inf. Shoulder for 44007	C7185
65121	Shaft for Wheel IN. (Z.36) for 44007	A3177	16907	Bush. Sharpening for 44007	B6076	65152	Ant. Cover Shoulder S5227 for 44007	C7186
65122	Shaft for Paral.Est.Mob Sledge for 44007	A3178	17307	Bushing Sharp. for 44007	B6083	65153	Supp. Cover Plate for 44007	C7188
65123	Blade Door Shaft for 44007	A3180	64358	Bushing Du 12x14x10 for 44007	B6217	65154	Rack Pressamerce for 44007	C7255
65124	Compensator Ring 42x12 for 44007	A5016	36568	Du Bushing 6x8x6 for 44007	B6224	65155	Rack Advance. Plate for 44007	C7258
17279	Ring El.Benzing 5 for 44007	A5403	64359	Bushing Du 14x16x20 for 44007	B6238	36629	Bearing 2Z-6003 17x35x10 for 44007	C8006
16902	Ring El.Benzing 8 for 44007	A5406	65882	Bushing Sl.12x16x15 Sharpener AV3 for 44007	B6242	19538	Bearing 20x42x12 for 44007	C8008
64355	Ring El.Seeger Ext.12 for 44007	A5444	65132	Bushing Sl.17x25x32x4x35 for 44007	B6372	64362	Bearing 2Z-626 6x19x6 for 44007	C8012
36541	Ring El.Seeger Int.35 for 44007	A5470	65133	Bushing for Pivot Aff. for 44007	B6373	17335	Bear.2RS-6203 17x40x12 for 44007	C8022
19174	Ring for 44007	A5475	65134	Bush Ingr. V.S.F. for 44007	B6375	16926	Bearing 2RS-6000 (10x26x8) for 44007	C8067
64356	Oil Seal OR 3043 for 44007	A5849	65135	Arm Pressamerce Ass. for 44007	B7984	65157	Ball Holder 51103 17x30x9 for 44007	C8114
17287	O-Ring 123 17.86x2.62 for 44007	A5852	65136	Arm Pressam.Cromato Ass. for 44007	B7984CR	36636	Nut U5589 M6 Stainless Steel for 44007	D0133X
65125	Flange Ring for 44007	A5960	65139	Aluminum Hood Red for 44007	C1640R	64363	Nut Din 917 M10 Inox for 44007	D013615
65126	Bar 12x20 Scorr.Carr for 44007	B1067	65142	Flywheel Cart for 44007	C1896	64364	Nut U5589 M14 Inox for 44007	D014015
65127	Cart Bar for 44007	B1746	65143	Trolley Ass. for 44007	C1945	65159	Normal Nut U5588 M12 for 44007	D0142
65128	Cart Bar Transport for 44007	B1747	65144	Cart Ass. for 44007	C1952	66365	Domed Nut DIN 917 M8 Stainless Steel for 44007	D014515
65129	Round Bar Ø19x310 Arm for 44007	B1749	65656	Cart Part Crom Assy. for 44007	C1952CR	36644	U5588 M5 Stainless Steel Nut for 44007	D016015
65130	Round Bar Ø19x320 Arm for 44007	B1753	65146	Roller Chain 3/8x7/32" L.81p Closed for 44007	C3003	77613	Normal Nut U5588 M4 for 44007	D0161
65131	Rod Vernic for 44007	B4010	64360	Right Hinge Stainless Steel Group of INT90E for 44007	C3665	19644	Nut M6 for 44007	D0163
19618	Bushing 8x10x8 for 44007	B6009	65147	Flywheel Hinge Imp. for 44007	C3668	36646	Nut U5588 M6 Stainless Steel for 44007	D0163X
19619	Bushing 8x10x12 for 44007	B6020	36599	Rivet 3.85 for 44007	C4621	36648	Nut U5588 M8 for 44007	D0165X
16904	Bushing Sharpener for 44007	B6048	36601	Rivet 1.9x5 for 44007	C4640	64366	Nut M14x1 for 44007	D0188
17303	Bushing DU 12x14x15 for 44007	B6052	36623	Foot Cover for 44007	C6682	36652	Nut M25x1.5 for 44007	D0198
16905	Bushing DU 16x18x15 for 44007	B6053	64361	Sharpener Body C33F for 44007	C680764	65160	Flywheel Spacer for 44007	D5312

PARTS BREAKDOWN

ITEM	MODEL
44007	MS-IT-0319-M

Item No.	Description	Position	Item No.	Description	Position	Item No.	Description	Position
65161	Spacer Shaft Corona for 44007	D5313	65184	Imp. Chromed Movement Lever for 44007	I2161CR	17381	Spring 22 5x1 8x18 for 44007	M7052
65162	Spacer Bar Øi7x18x10 for 44007	D5314	65185	Hand Assembly for 44007	I2177	65204	Handle Spring Trolley S37 for 44007	M7090
65163	Conical Spacer Øi7x18x22x10 for 44007	D5315	65186	Handle Ass. for 44007	I2292	64122	Spring Support for 44007	M7099
65164	Spacer Bar2 BCT for 44007	D5316	65187	Gripping Assembly V.S.F. for 44007	I2292CR	65202	Spring 10x50 SP0.5 for Lever for 44007	M7186
65165	Spacer for 44007	D5317	65188	Gear Advancement for 44007	I2449	65203	Conical Spring ØI39xØI26x42 Wire Ø2.5 for 44007	M7187
65167	Distance Lever AZ.Paral.Est. for 44007	D576101	65189	Gear Z16 DP40 M2.5 for 44007	I2474	17386	Rubber Shock Absorber for 44007	P1001
65166	Distance Barrel Carr. They Fly for 44007	D5828	65190	Gear Z32 DP80 M2.5 for 44007	I2475	36760	Pin Tray Shock-Absorber for 44007	P1025
19554	Bearing Cam A310 for 44007	E1401	65191	Roller Engraver 3/8x7/32 z.36 for 44007	I2477	19797	Nylon Shock 8.5x8 for 44007	P1042
64367	Wheel Eccentric 104 for 44007	E1430	65192	Input Screw S.F.Avat.Avat.On for 44007	I2480	36762	Rubber Plug for 44007	P1053
65169	Feltro Cart for 44007	F1616	65193	Blade mm 319/19/2 for 44007	L0633	65206	Parafet for Blade for 44007	P1190
65170	Flat Floor-B3 Pul for 44007	F6084	65195	Drive Lever V.S.F. for 44007	L2444	65207	Paragrasso for 44007	P1376
65171	Flange Chrome Plate B114 / TRIB for 44007	F6084CR	65196	Lever Block Gear for 44007	L2445	65208	External Paralam Pul-Anod for 44007	P1721
65174	Ring Adjusting Device for 44007	G5117	65197	Lever for Rod for 44007	L2446	16959	Pin Grinding for 44007	P3225
64368	Handle Bar Verticale L250 for 44007	I1938	65198	External Operating Lever for 44007	L2447	17419	Pin Truing for 44007	P322601
65657	Grip. Chrome Vertical Bar 105 for 44007	I1938CR	65199	Lever Mov. Screw S.F. B3 Luc. for 44007	L2448	65209	Spindle Lever Flat Advance S37 for 44007	P3237
17357	Deflector Screw for 44007	I1942	65200	Movim Lever Screw S.F. B114 / Trib for 44007	L2448CR	17427	Assy Grinding Stone & Pin for 44007	P3381
65176	Handle 6 Lobe D.30 Hole M6 for 44007	I1963	14787	Grinding Sharpening Stone 48x15x14.3 for 44007	M6602	65211	Transmission Pin Couple Cone for 44007	P3743
36719	Cover Handle for 44007	I2102	21644	F Stone 51x7x14.3 for 44007	M6621	65212	Sharpening Pin for 44007	P3744
65178	Handle Regul.Avanz Handle for 44007	I2138	36741	Spring 2.9x4x12 Stainless Steel for 44007	M7001	65213	Spindle Scroll.Select for 44007	P3747
65179	Chromed Grip Reg.Piatto Handle for 44007	I2138CR	17379	Spring 11.9x0.7x27 Stainless Steel for 44007	M7029	65214	Pin for Imp. Flywheel for 44007	P3750
65180	Grip Holder Fix.Piatto Portamerce for 44007	I2145	17380	Spring 13.4x1.3x30 Stainless Steel for 44007	M7030	65215	Axle Lift Station Pin V.S.F. for 44007	P3771
65181	Impug. Chromed Fix.Piatto B114 / TRB for 44007	I2145CR	19249	Spring 15.1x1.3x18 for 44007	M7035	65216	Ax.Mola Sbatatrice Pin for 44007	P3788
65182	Flying Handle for 44007	I2147	19781	Spring for 44007	M7049	64372	Support Motor Flat for 44007	P4623
65183	Imp. for Leva Mov. V.S.F. for 44007	I2161	19782	Spring 19.5x1.5x16.7 for 44007	M7050	65217	Bearing Sliding Plate for 44007	P4629

PARTS BREAKDOWN

ITEM	MODEL
44007	MS-IT-0319-M

Item No.	Description	Position	Item No.	Description	Position	Item No.	Description	Position
17438	Foot for 44007	P5030	17457	Washer U6592 6 Stainless Steel for 44007	R6512X	17465	Ball 4.76 for 44007	S3015
65218	Plate Posit. Sharpener Body for 44007	P5147	36884	Washer U6592 8 Stainless Steel for 44007	R6520X	65243	Slide Mov Paral.Externo for 44007	S3831
65219	Plate Supp. Flat Bearing for 44007	P5149	36885	Washer U6592 10 Stainless Steel for 44007	R6530X	65244	Sled Ass. for 44007	S3898
65220	Plate Supp. Sharpener for 44007	P5150	65241	Flat Washer U6953 10x30x2.5 Inox for 44007	R653215	65245	Spherical Joint Rad.GE10E 10x19x9 for 44007	S4504
65221	Plate Flying Comb 319 for 44007	P5153	64377	Washer U6592 12 for 44007	R6540	65658	Flywheel Shoulder for 44007	S5227
65222	Fix Plate Felt Carr. for 44007	P5162	64378	Stainless Steel Washer U6593 6,6x18x1,6 for 44007	R680415	64379	Spina Pivot Blocco Lame MT55 INOX for 44007	S7417
65223	Plate Assembly Strap for 44007	P5196	36889	Washer 10.5x16x1 for 44007	R6816	36921	Stainless Steel 4x7 Pin M.C for 44007	S7527
65224	Stainless Steel Plate Posamerce for 44007	P5370	65232	Washer Spec.Rasam.Ram24 17x24x0.2 for 44007	R6835	64380	Spina Mecc.Elast. U6873 6x40 for 44007	S7548
65225	Stainless Steel Plate Posamerce. Ass. for 44007	P5732	65233	Special Washer 8x14x1 Inox for 44007	R6862	64381	Spina 5x10 Inox Supp.Affila. G35/37N for 44007	S7646
65226	Transversal Plate Ass. for 44007	P5739	36891	Washer 10.5x26x0.5 Stainless Steel for 44007	R6871	64382	Spina Centraggio Plate S9M-1 for 44007	S7672
64373	Pusher Ass.L250/275 2 Colonne for 44007	P6911	16972	Washer 5.5x19x2.5 for 44007	R6884	64383	Stainless Steel Pin 6x10 ZIG. for 44007	S7678
65228	Presser B114 / TRB Chrome for 44007	P6911CR	36893	Stainless Steel Special Washer 8.5x24x2 for 44007	R6897X	65247	Plug Fix.External Panel S9M-1 for 44007	S7681
65229	Prisoner M12x90 Galvanized for 44007	P7448	36897	Special Washer 5.5x22x1.5 for 44007	R6932	65248	Central Plug Sharpening for 44007	S7686
65230	Protection Parollice for 44007	P7858	65234	Blade Fixing Washer for 44007	R6969	65249	Conical Plug Ø6x70 for 44007	S7687
24030	Sharpener Operating Handle for 44007	P8625	65235	Washer Adjustable Threading for 44007	R6970	65661	Supp. Plate Port. Red for 44007	S9516R
19657	Washer 4 for 44007	R6003	65236	Washer Dist.Barra Cart for 44007	R6971	65663	Arm Support 2 Columns for 44007	S9517
19661	Washer 8 for 44007	R6030	65237	Washer Ecc. Ring for 44007	R6973	65255	Flat Support Pos. for 44007	S9521
17454	Washer for 44007	R6204	65238	Washer Imp. Flywheel for 44007	R6974	65256	Supp. Crem. Adv. Plate for 44007	S9526
64374	Rondella Tazza 16.3x31.5x0.8 for 44007	R6225	65239	Rond. Pos. for 44007	R6975	19877	Rubber Cap for 44007	T1001
64375	Rondella Ondulata 10.5x15.8x0.15 for 44007	R6282	65240	Washer Ø12x21.8x2 Brass for 44007	R6976	65257	Heyco DP-625 Plug Diam.16 for 44007	T1034
65231	Wavy Washer 12.5x25x0.3 for 44007	R6290	19677	Wheel Tray for 44007	R8512	65258	Plate Autoad. 0-11 Advance. Plate for 44007	T1783
64376	Washer U6593 5 (5,5x15x1,2) Inox for 44007	R650715	19680	Ball 3 17 for 44007	S3005	64384	Targhetta Royal Machines Mezzaluna for 44007	T1785
36882	Washer U6592 5 Stainless Steel for 44007	R6508X	19681	Sphere 4 for 44007	S3010	64385	Targhetta Royal Machines Ø58 for 44007	T1786

PARTS BREAKDOWN

ITEM	MODEL
44007	MS-IT-0319-M

Item No.	Description	Position	Item No.	Description	Position	Item No.	Description	Position
65259	Flat Flywheel Plate Ø126.5 for 44007	T1787	37034	Stainless Steel Screw M8x4 U5931 for 44007	V620615	74418	Vite TSP U6109 M4x8 Inox for 44007	V703415
65260	Rounded Flywheel Plate Ø57.5 for 44007	T1788	64392	Screw TCEI U5931 M5x12 Inox for 44007	V624315	64400	Stainless Steel Screw TSPEI U5933 M6x15 for 44007	V704715
65261	Plate Vol.Sagomata 2Col for 44007	T1792	77598	Stainless Steel Screw TCEI U5931 M6x20 for 44007	V6245X	65277	Screw TSPEI U5933 M10x25 Inox for 44007	V705915
64386	Screw STTC U6113 M5x12 for 44007	V6002	64393	Vite TCEI U5931 M6x30 Inox for 44007	V625015	65278	Screw TSP U6109 M8x16 Inox for 44007	V707815
37016	Screw STTC U6113 M4x25 for 44007	V6008	64394	Screw TCEI U5931 M8x35 for 44007	V6255	19713	Screw Sharpener for 44007	V7710
26127	Stud C Model for 44007	V602115	64395	Vite TBTC U6954 4.8x19 for 44007	V6302	17503	Screw M5x13 for 44007	V7908
64387	Stainless Steel Screw M8x30 U5923 for 44007	V602215	64396	Screw TBTC AUT.U6954 2,2x9,5 for 44007	V6312	19715	Screw Sharpener for 44007	V7910
37021	Screw for 44007	V6030	37055	Stainless Steel Screw M 5x8 U5931 for 44007	V634015	19717	Screw M6x50 for 44007	V7917
64388	Screw STEI U5923 M6x16 for 44007	V6031	65264	Screw TCEI U5931 M12x100 for 44007	V6348	19720	Screw M6 for 44007	V7934
64389	Screw STEI U5929 M4x5 for 44007	V6062	65265	Screw TCEI U5931 M4x10 for 44007	V6355	64401	Screw M6x10 Registro for 44007	V7944
65262	Screw STEI U5929 M5x14 for 44007	V6063	37060	Stainless Steel Screw TE U5737 M5x12 for 44007	V6403X	37095	Screw for Rod 6x13 for 44007	V7993A
65275	Screw STEI U5929 M5x14 Inox for 44007	V606315	37062	Screw TE U5739 M10x25 Stainless Steel for 44007	V6413X	65664	Screw M8x35 Inox for 44007	V8019
37023	Screw STEI U5929 M5x5 for 44007	V6065	65276	Screw for Ends S9M-1 for 44007	V642216	37103	Screw M5x15 for 44007	V8038
19691	Grub Screw M6x6 for 44007	V6066	37070	Screw TE U5739 M6x20 Stainless Steel for 44007	V6449X	37104	Threaded Stud for 44007	V8042
19692	Screw M6x8 for 44007	V6067	37073	Screw TE U5739 M8x25 Stainless Steel for 44007	V6461X	37106	Stainless Steel Switch Screw M5x10 for 44007	V8048
19693	Screw M6x5 for 44007	V6068	64397	Stainless Steel Screw TSP U6109 M4x12 for 44007	V700815	37112	Stainless Steel Screw M8x4 for 44007	V8085
64390	Vite STEI U5929 M6x25 Inox for 44007	V607115	17497	Screw TSP U6109 M5x15 Stainless for 44007	V7014X	37114	Stainless Steel Screw M6x25 for 44007	V8130
19694	Screw M8x10 for 44007	V6075	64398	Screw TSP DIN 963 M6x16 Stainless for 44007	V7016X	65269	Flywheel Red for 44007	V8510R
64391	Screw M10x25 U5923 for 44007	V6084	64399	Screw TSP U6109 M6x20 Inox for 44007	V701715			
65263	Screw STEI U5923 M8x10 for 44007	V6089	37079	Screw TSP U6190 M6x30 Stainless Steel for 44007	V7018X			