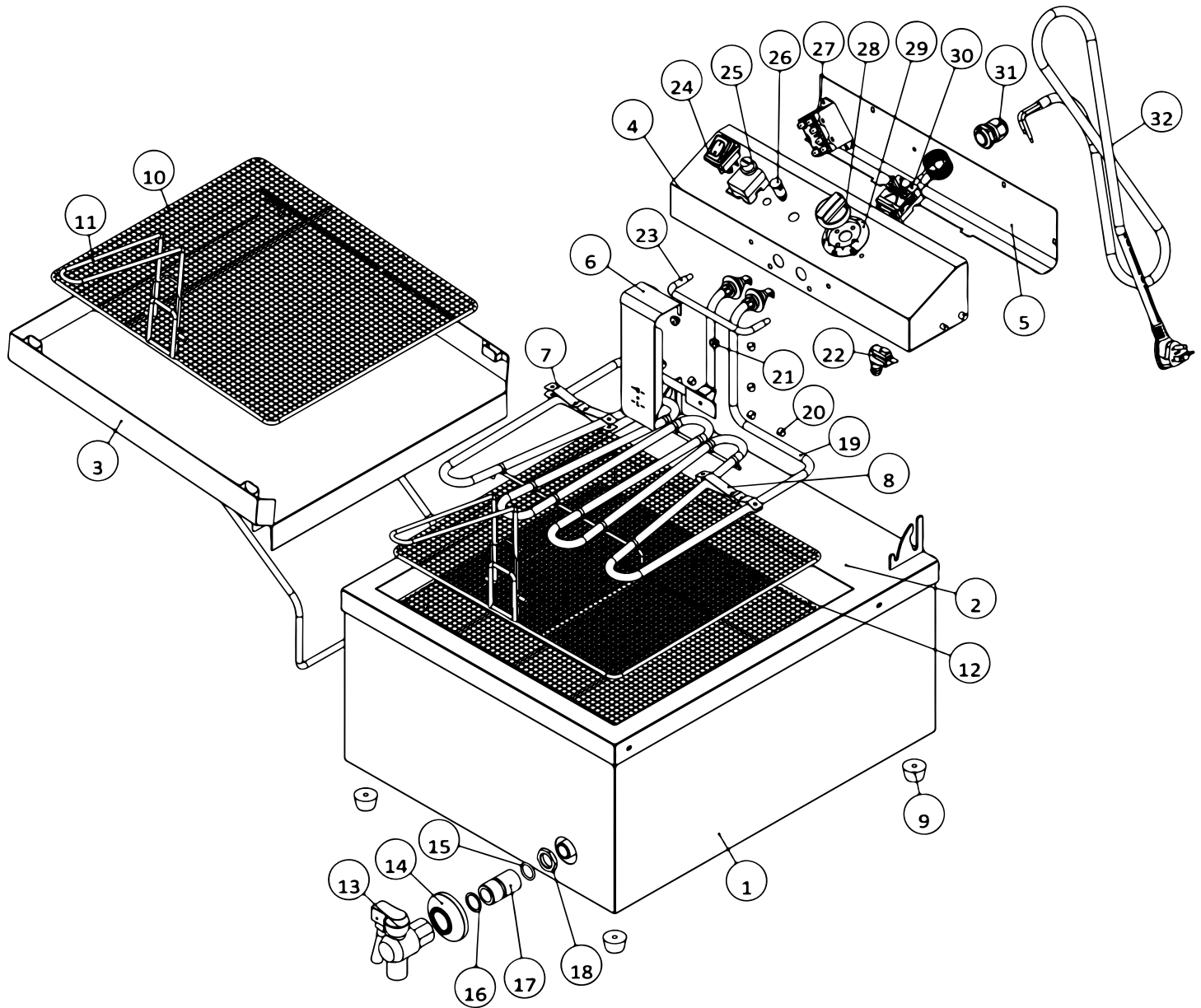


Parts Breakdown

Model CE-CN-1700-F 44522



Parts Breakdown

Model CE-CN-1700-F 44522

Item No.	Description	Position	Item No.	Description	Position	Item No.	Description	Position
AQ391	Body Assembly for 44522	1	AE193	Drainage Valve for 44522	13	AQ403	Power Switch SR-13 250V/20A for 44522	24
AQ392	Tank Assembly for 44522	2	AE194	Decoration Ring for Drainage Valve for 44522	14	AN150	Hi Limit Switch (Reset) for 44522	25
AE171	Cover for Oil Pan for 44522	3	AQ398	Rubber Gasket for 44522	15	AQ404	Power Indicator (Green) 110V for 44522	26
AQ393	Rear Cover Assembly for 44522	4	AQ399	Seal Ring for Drain Valve for 44522	16	AQ405	Heating Indicator (Yellow) 110V for 44522	27
AQ394	Rear Cover of the Electrical Box for 44522	5	AE206	Joint of Drainage Valve for 44522	17	AE162	41 Knob for Thermostat for 44522	28
AQ395	Heating Element Cover Plate for 44522	6	AE198	G12 Hex Nut for 44522	18	AE161	Bezel for Thermostat Knob for 44522	29
AQ396	Hi-Limit Probe Mounting Clamp for 44522	7, 8	AQ400	Heating Element 120V/1.74kW for 44522	19	AE163	Ego Thermostat 200C for 44522	30
AE205	Rubber Foot for 44522	9	AQ401	Sensor Clamp for 44522	20	A0154	Power Cord Grip for 44522	31
AE190	Frying Basket 379x355mm for 44522	10	AQ402	Sensor Sheath for 44522	21	AQ406	Power Cord for 44522	32
AQ397	Basket Handle for 44522	11	A0166	Micro Switch on Control Panel for 44522	22			
AE189	Separating Net 389x365x35mm for 44522	12	AE192	Supporting Rod for Basket for 44522	23			