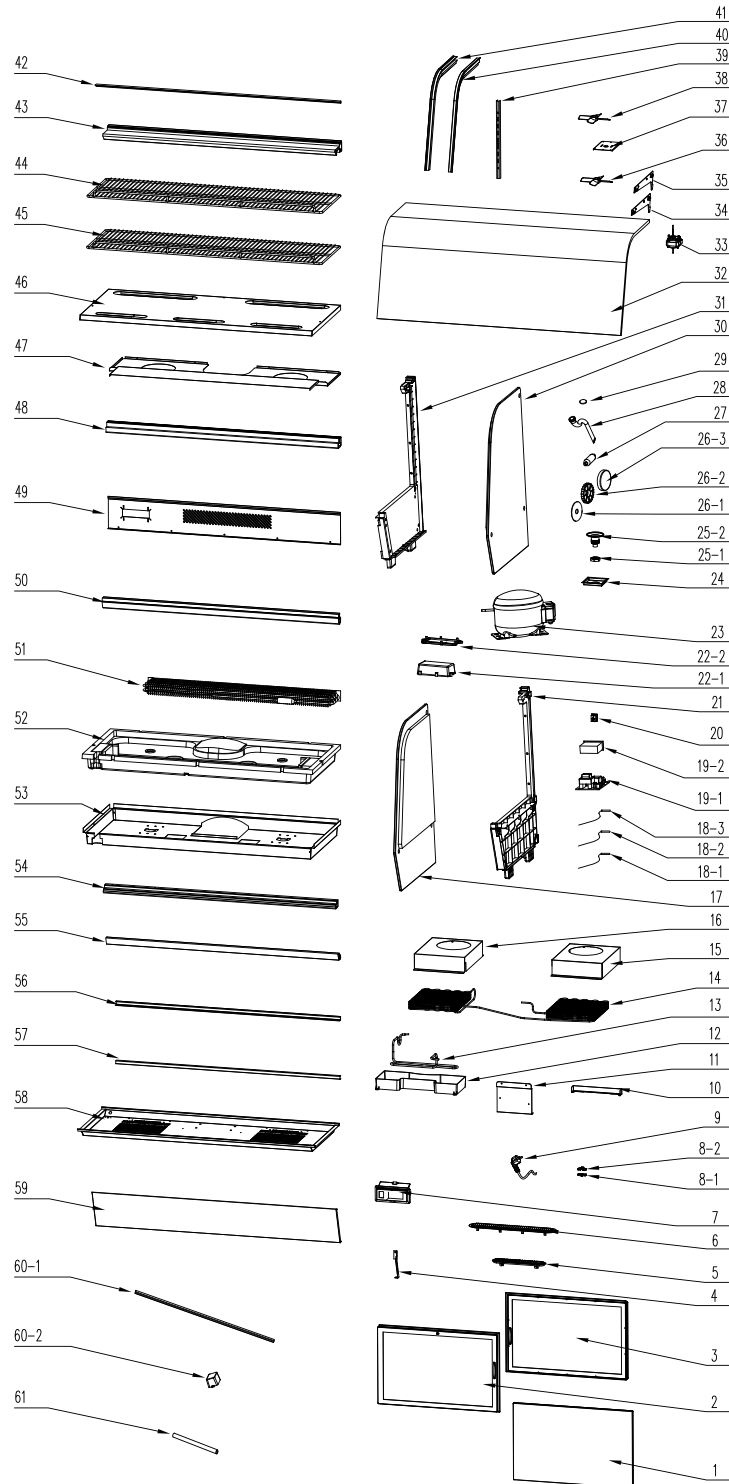


Parts Breakdown

Model RS-CN-0202-4 44631



Parts Breakdown

Model RS-CN-0202-4 44631

Item No.	Description	Position	Item No.	Description	Position	Item No.	Description	Position
AA068	Door Glass for 44631	1	30736	Left Panel for 44631	21	30797	Left Seal for 44631	41
AA069	Inner Door Frame for 44631	2	AA050	Control Box for 44631	22-1	AA089	Decorative Board for 44631	42
AA070	Outer Door Frame for 44631	3	AA051	Control Box Cover for 44631	22-2	AA090	Top Panel for 44631	43
AA071	Front Middle Support for 44631	4	60534	Compressor for 44631	23	AA091	Shelf 1 for 44631	44
30776	Cover for Air Outlet for 44631	5	AA083	Backing Plate for 44631	24	AA092	Shelf 2 for 44631	45
AA072	Cover for Air Suction for 44631	6	71518	Nut for 44631	25-1	AA093	Vent Tray for 44631	46
68298	Switch Base for 44631	7	AA084	Drainage Pipe Joint for 44631	25-2	AA094	Evaporator Protect Board for 44631	47
61246	Wire Clip Holder for 44631	8-1	79314	Decoration Nut Gasket for 44631	26-1	AA095	Rear Middle Pillar for 44631	48
61245	Wire Clip Cover for 44631	8-2	79313	Nut Gasket for 44631	26-2	AA096	Rear Base Panel for 44631	49
AA062	Power Cord for 44631	9	79312	Nut Decoration for 44631	26-3	AA097	Front Middle Pillar for 44631	50
AA073	Condenser Limiting Plate for 44631	10	30624	Dry Filter for 44631	27	AA098	Evaporator for 44631	51
AA074	Fixed Board of PCB Box for 44631	11	30744	Water Pipe for 44631	28	AA099	Foam Base of Evaporator for 44631	52
60948	Water Receiver for 44631	12	68368	Snap Ring for 44631	29	AA100	Plastic Base for Pillar for 44631	53
AA075	Tray of Heater for 44631	13	AA054	Right Glass for 44631	30	AA101	Rear Bottom Pillar for 44631	54
AA076	Condensator for 44631	14	30739	Right Panel for 44631	31	AA102	Front Bottom Pillar for 44631	55
AA077	Right Condensator Cushion for 44631	15	AA085	Curved Front Glass for 44631	32	AA103	Rear Bottom Pillar Lining for 44631	56
AA078	Left Condensator Cushion for 44631	16	AA086	Motor Fan for 44631	33	AA104	Front Bottom Pillar Lining for 44631	57
AA048	Left Glass for 44631	17	67313	Bottom Shelf Bracket Left for 44631	34	AA105	Bottom Base of Compressor for 44631	58
AA079	Temperature Probe for 44631	18-1	67314	Bottom Shelf Bracket Right for 44631	35	AA106	Front Frame for 44631	59
AA080	Defrost Probe for 44631	18-2	AA087	Fan Blade for 44631	36	AA107	LED Light for 44631	60-1
AA081	Overheating Probe for 44631	18-3	79662	Metal Base of Fan Motor for 44631	37	68356	Driver for 44631	60-2
AA052	Main Circuit Board for 44631	19-1	AA088	Fan Blade for 44631	38	30742	Accumulator for 44631	61
AA082	Digital Controller for 44631	19-2	30751	Pillar for Bracket for 44631	39			
71514	Switch for 44631	20	30798	Right Seal for 44631	40			