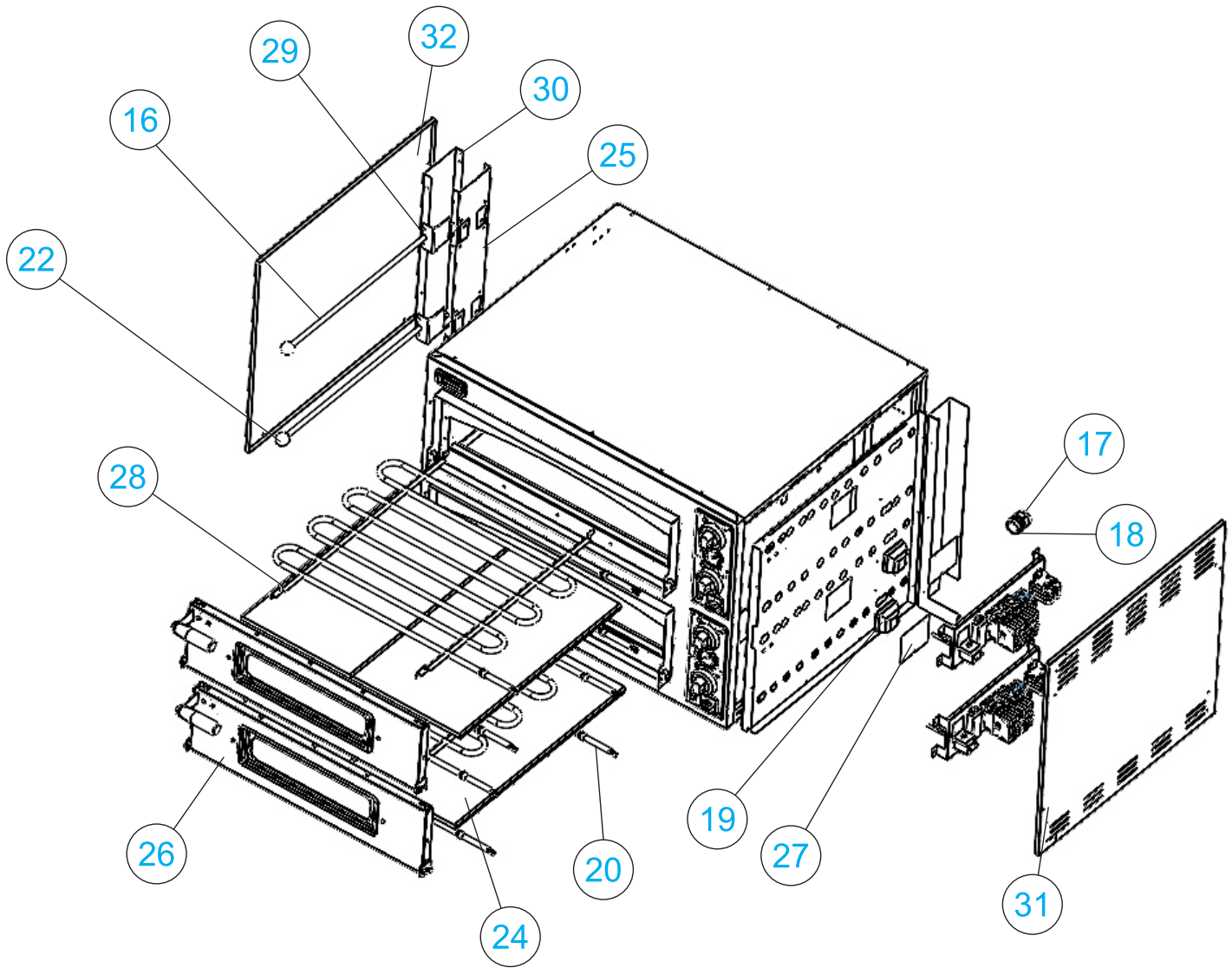


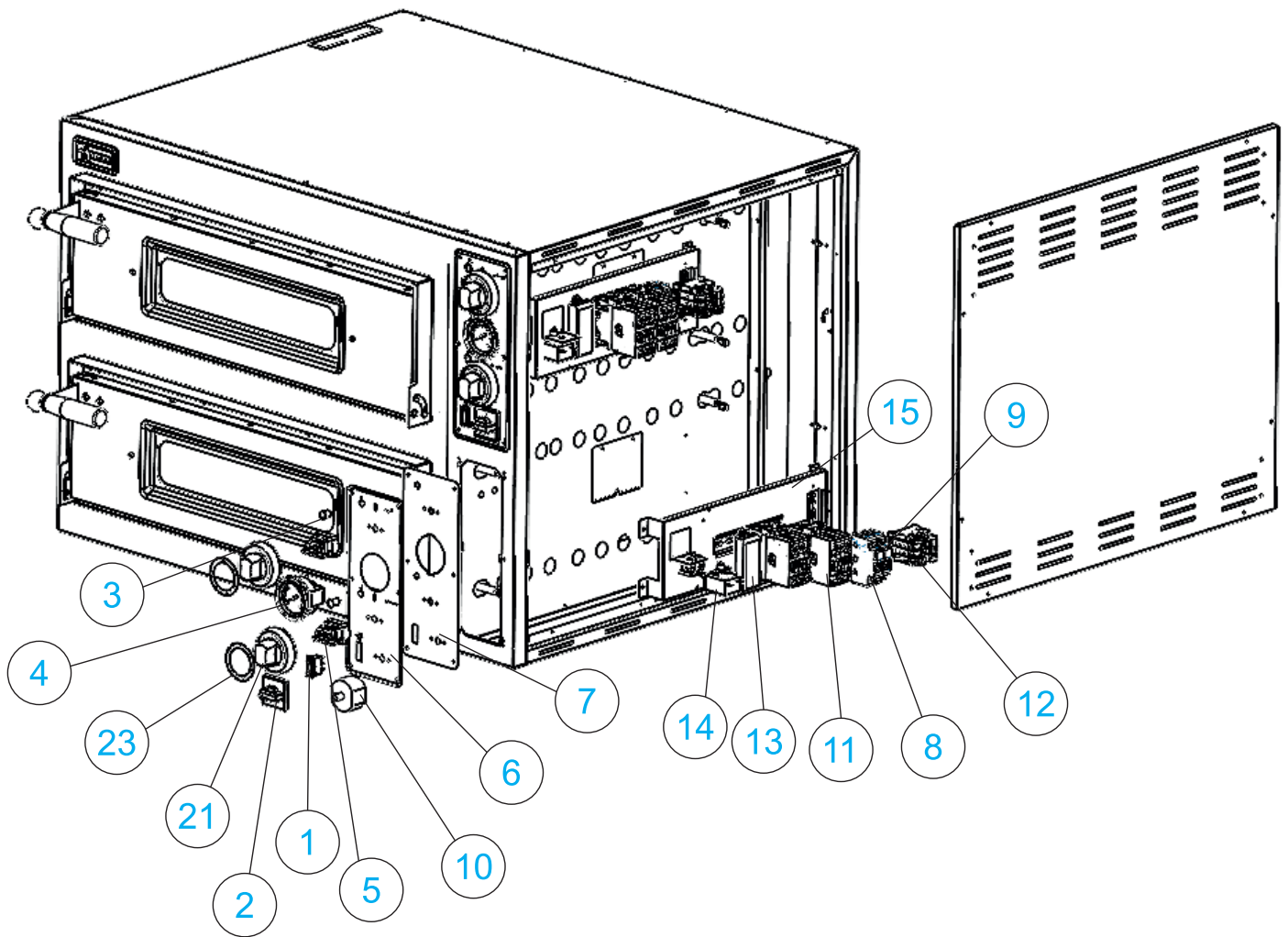
PARTS BREAKDOWN

ITEM	MODEL
45199	PE-IT-0038-DS



PARTS BREAKDOWN

ITEM	MODEL
45199	PE-IT-0038-DS



PARTS BREAKDOWN

ITEM	MODEL
45199	PE-IT-0038-DS

Item No.	Description	Position	Item No.	Description	Position	Item No.	Description	Position
42048	Luminous Unipolar Red Switch for 45199	1	AL761	Blue Clamp for 45199	12	46194	Thermostat Knob Label BL for 45199	23
74760	Grey Plate/Black Knob 48x48 (for Giovenzana Mainswitch 16/32 A) for 45199	2	62493	Transformer 40VA 50/60Hz 230V-12V for 45199	13	76650	Brick 350x700x14 for 45199	24
42848	Transparent LED Bulb 380V (Including Hood) for 45199	3	AM700	Unipolar Safety Thermostat 512TH - UL (55.13584.010) T.D. 8514.90.70 for 45199	14	AQ719	Chimney Base for 45199	25
74749	Thermometer Ø 60 Tar. 0-500C for 45199	4	AQ717	Electrical Support System Entry 230V for 45199	15	76604	Complete Door for 45199	26
AM897	Unipolar Thermostat Ego 450 Deg - (55.19082.805 - EU) for 45199	5	AQ718	Chimney Closure Rod M8x580 for 45199	16	AQ720	Lamp Hole Closure Panel for 45199	27
AQ712	Front Command Label Polic. Release 2018 for 45199	6	AM850	Cable Gland PG29 Gray for 45199	17	AN340	Resistor Support for 45199	28
AQ713	Command Panel for 45199	7	AM851	Lock Nut PG29 Gray for 45199	18	AQ721	Chimney Closure Bracket for 45199	29
78674	Fuse for 45199	8	AQ161	Lamp Holder 80x65 with Cables PTFE - Glass - Lamp G4 12V 20W 450C for 45199	19	AQ722	Single-Chamber Chimney Casing for 45199	30
AQ714	Mersen Fuse Holder for 10x38 Fuses - UL for 45199	9	76612	Resistor 2800 W 230 V Prime for 45199	20	77229	RH Side Panel for 45199	31
42035	16 A Actuator P0160004R001 4-Polar Switch Yellow for 45199	10	77272	Thermostat Knob for 45199	21	77228	LH Side Panel for 45199	32
AQ732	Contacto 4P NO 45A 100-250V 50-60 Hz AF26-40-00-13 for 45199	11	76614	Spheric Knob PLX.30-M8-C9 for 45199	22			