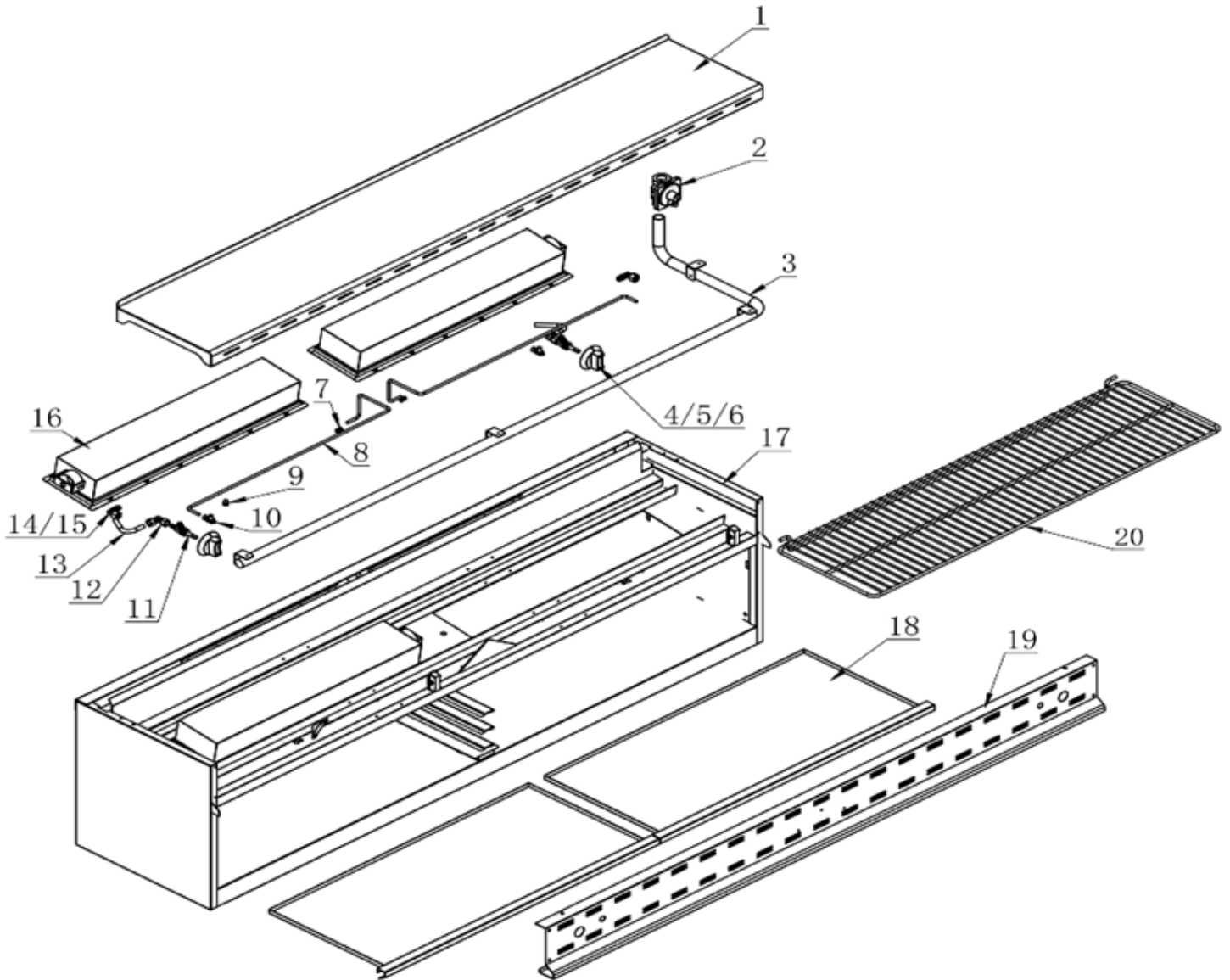


Parts Breakdown

Model FW-CN-0048 46032





Parts Breakdown

Model FW-CN-0048 46032

Item No.	Description	Position	Item No.	Description	Position	Item No.	Description	Position
AC340	Top Cover for 46032	1	AM624	Tapping Screw for 46032	9	AM625	Nozzle for 46032	15
AM622	Pressure Regulator for 46032	2	AC318	Pilot Valve for 46032	10	AM977	Burner A (20,000 BTU) for 46032	16A
AC341	Gas Venturi Pipe for 46032	3	AK285	A18 Gas Control Valve for 46032	11	AC326	Oil Collector for 46032	18
66204	Knob Assy for 46032	4 - 6	AC320	Adaptor for 46032	12	AC348	Front Panel for 46032	19
66208	Pilot for 46032	7	AC321	Flexi Pipe for 46032	13	AC349	Wiring Grid for 46032	20
AC316	Pilot Pipe for 46032	8	AC322	Nozzle Connector for 46032	14			