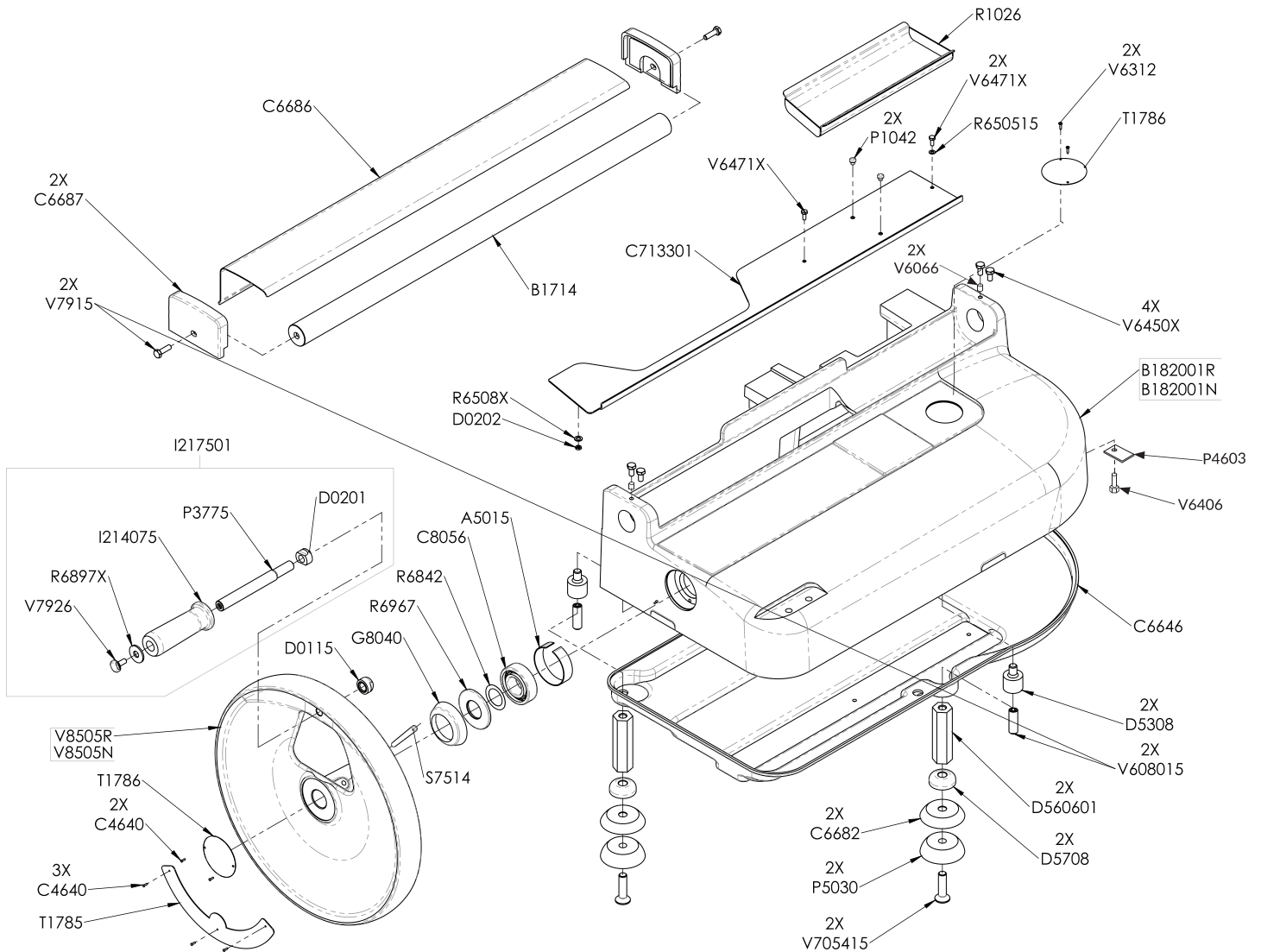


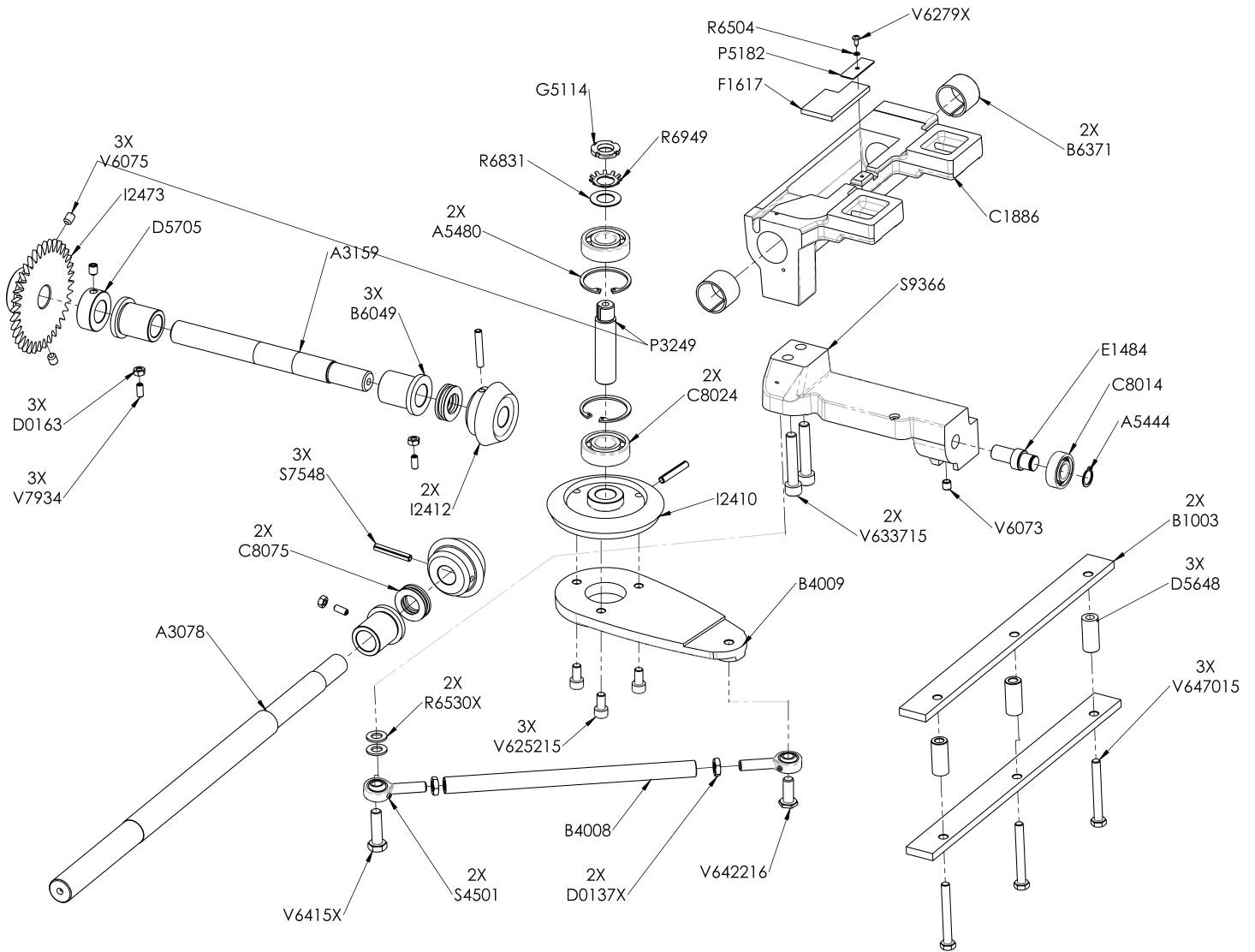
Parts Breakdown

Model MS-IT-0370-S 46088



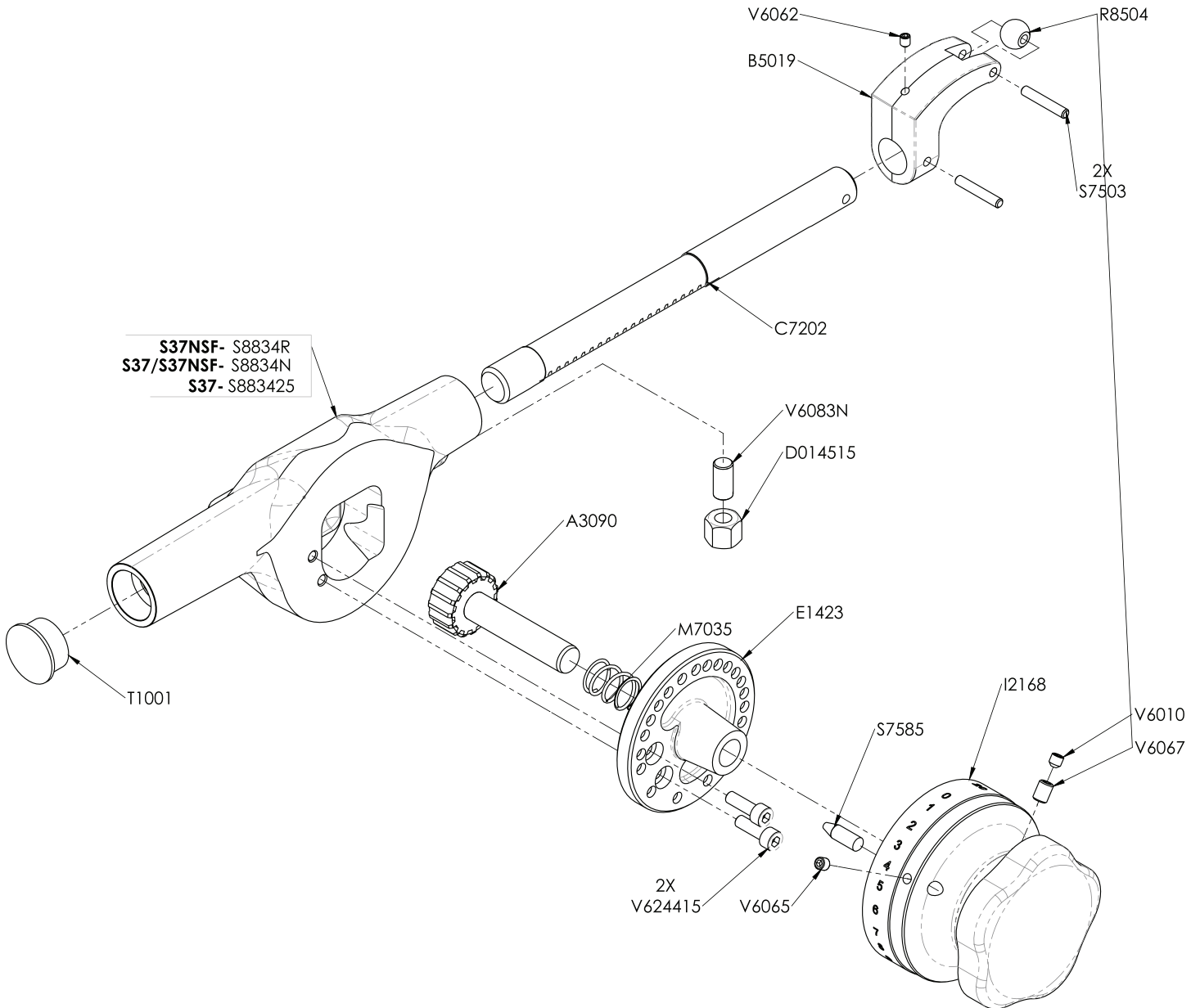
Parts Breakdown

Model MS-IT-0370-S 46088



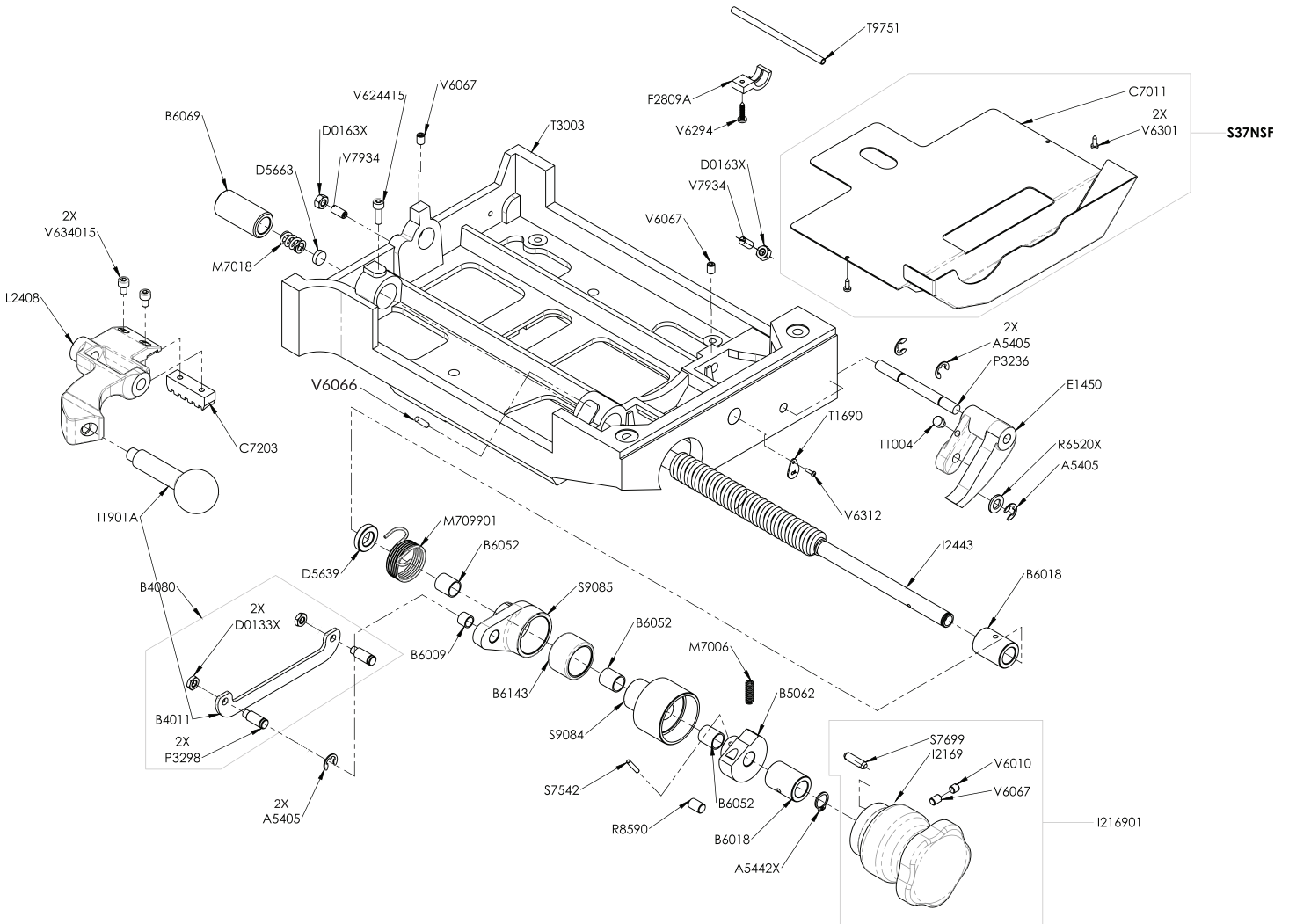
Parts Breakdown

Model MS-IT-0370-S 46088



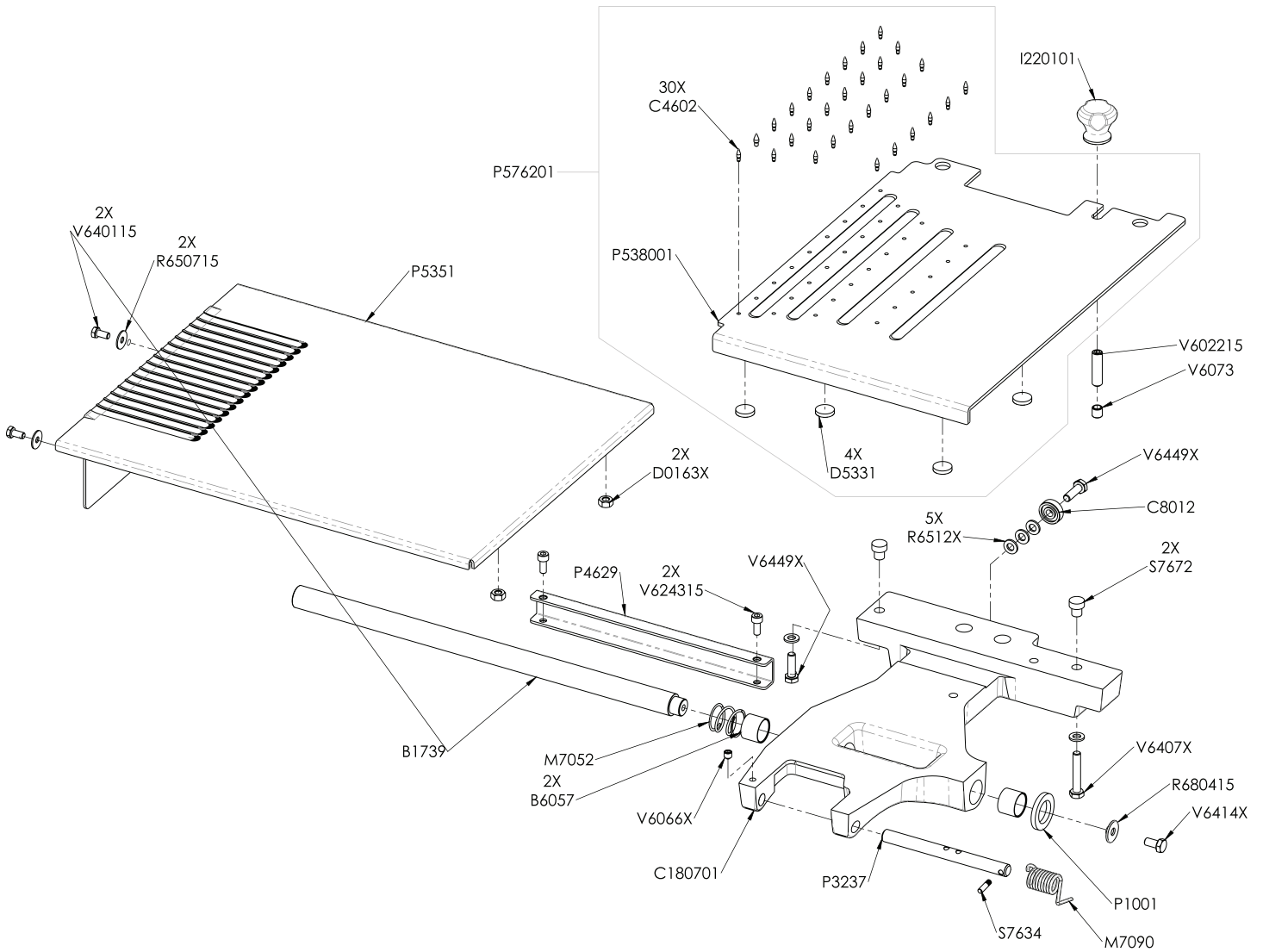
Parts Breakdown

Model MS-IT-0370-S 46088



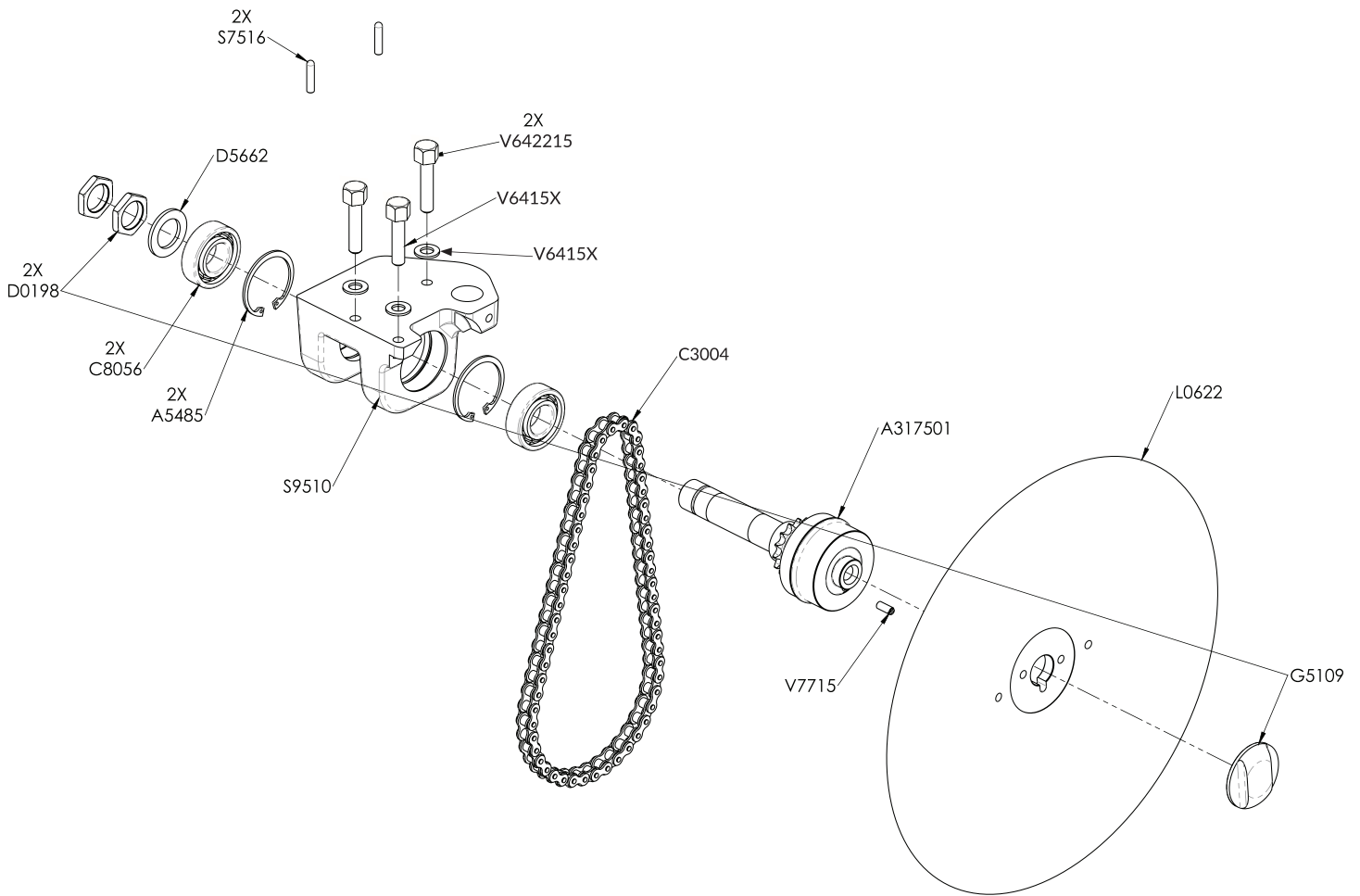
Parts Breakdown

Model MS-IT-0370-S 46088



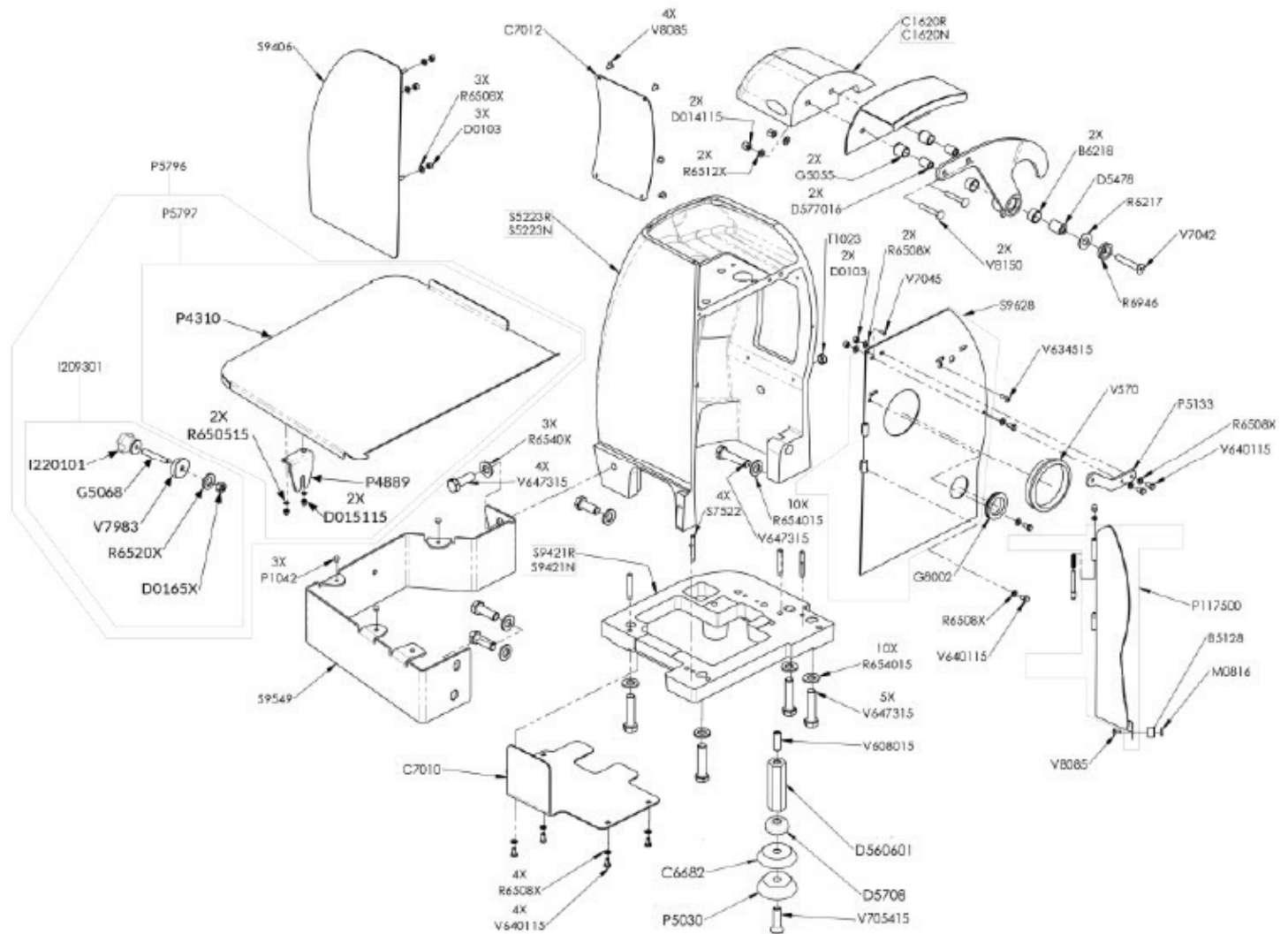
Parts Breakdown

Model MS-IT-0370-S 46088



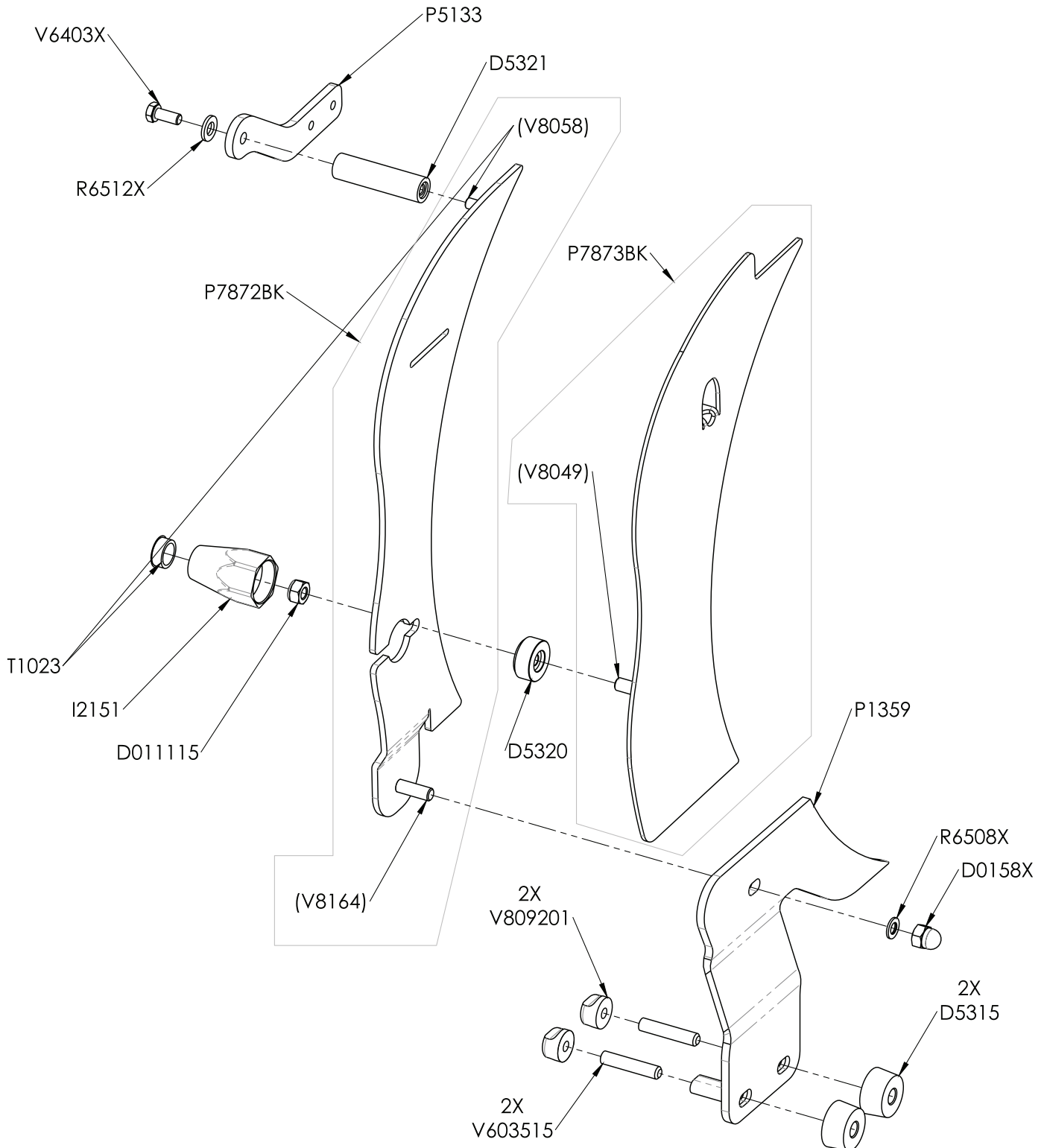
Parts Breakdown

Model MS-IT-0370-S 46088



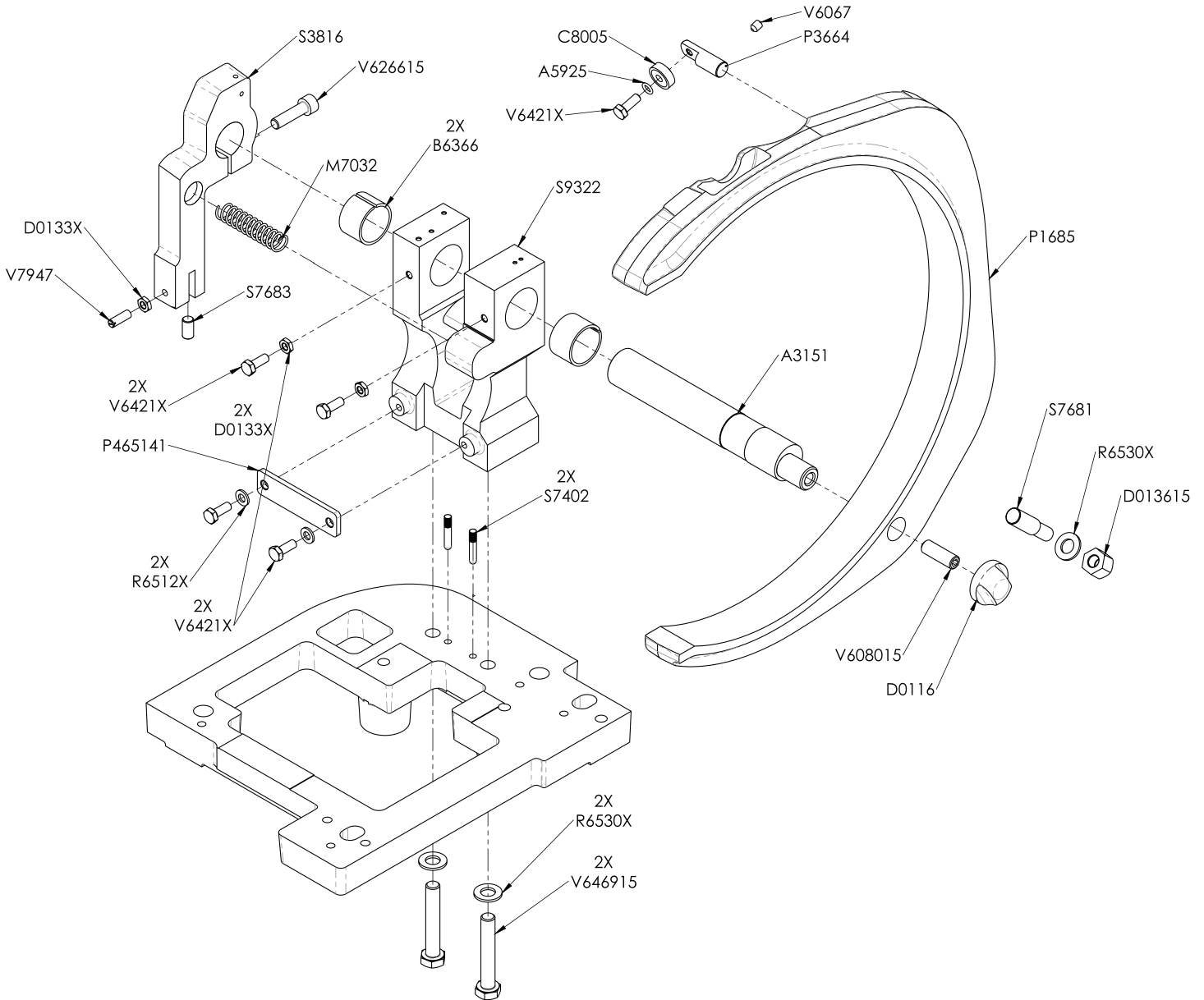
Parts Breakdown

Model MS-IT-0370-S 46088



Parts Breakdown

Model MS-IT-0370-S 46088



Parts Breakdown

Model MS-IT-0370-S 46088

Item No.	Description	Position	Item No.	Description	Position	Item No.	Description	Position
AO320	Assy Sharpener for 46088	A1069	17305	Bushing DU 18x20x15 for 46088	B6057	AO361	Bearing Axial with Balls 51104 20x35x10 for 46088	C8075
66110	Sharpener Assy for 46088	A1109	AO341	Blind Bushing for 46088	B6069	AO362	Nut U5587 M5 6S for 46088	D0103
AO321	Shaft Flywheel Vose9 for 46088	A3078	16906	Bush Sharpening for 46088	B6075	66119	Self-Locking Nut M6 U7474 Inox for 46088	D011115
AO322	Cogged Shaft for 46088	A3090	AO342	Bushing 16x22x16 for 46088	B6107	AO363	Nut Fix. Knob Hinge for 46088	D0115
66111	Flatbed Shaft for 46088	A3112	AO343	Bushing Rollers (HF2520 INA) for 46088	B6143	77535	Special Nut M10 for 46088	D0116
AO323	Shaft for Mob.Protection Slide for 46088	A3151	AO344	Bushing DU 16x18x10 for 46088	B6218	36636	Nut U5589 M6 Stainless Steel for 46088	D0133X
AO324	Shaft for Lower Wheel. Z.36 for 46088	A3159	36570	Bushing DU 16x18x20 for 46088	B6246	64363	Nut Din 917 M10 Inox for 46088	D013615
AO325	Unique Blade Holder Shaft for 46088	A317501	66116	Bushing Door Spring BS for 46088	B6247	36638	Nut U5589 M10 Stainless Steel for 46088	D0137X
AO326	Spring for 46088	A5015	66117	Bushing DU 10x12x20 for 46088	B6252	74408	Stainless Steel Nut Din 917 M6 for 46088	D014115
19604	Ring 7 for 46088	A5405	AO345	Bushing SI 6x8x14 for 46088	B6289	77508	Stainless Steel Nut U5588 M12 for 46088	D014215
16902	Ring El.Benzing 8 for 46088	A5406	77552	Bushing for Plate for 46088	B6332	66365	Domed Nut Din 917 M8 Stainless Steel for 46088	D014515
36538	El.Seeger Ext. Ring Stainless Steel for 46088	A5442X	AO346	Busher for Finishing Stone for 46088	B633401	66120	Domed Nut U5721 M4 Inox for 46088	D015115
64355	Ring El.Seeger Ext.12 for 46088	A5444	66118	Bushing SI 6x8x8 for 46088	B6346	66121	Special Domed Nut M6 Inox for 46088	D0158X
66112	Ring El.Seeger Int.47 for 46088	A5480	AO347	Special Arm for 46088	B7910	19644	Nut M6 for 46088	D0163
19484	Ring 52 for 46088	A5485	AO348	Special Assy Arm NSF for 46088	B7923	36646	Nut U5588 M6 Stainless Steel for 46088	D0163X
17287	O-Ring 123 17.86x2.62 for 46088	A5852	AO349	Sharpen Canopy NSF Red for 46088	C1620R	36648	Nut U5588 M8 for 46088	D0165X
AO327	Ring Seal Orm 0020-10 2x1 for 46088	A5863	AO350	Cart Vol. M Blade 370 Arm TH for 46088	C180701	36652	Nut M25x1.5 for 46088	D0198
66113	Spacer Bearing Ring for 46088	A5925	AO351	Trolley for 46088	C1886	AO364	Special Nut M12P1 for 46088	D0201
AO328	Profile Bar for Flat Trolley H for 46088	B0801	AO352	Roller Chain 3/8 x7/32".81pClosed for 46088	C3004	AO365	Low Nut U5589 M5 for 46088	D0202
AO329	Square Bar Lower+Upper Pair Car-S9 for 46088	B1003	17317	Pin .11 for 46088	C4602	AO366	Foot Spacer for 46088	D5308
AO330	BS Rod for 46088	B1268	36601	Rivet 1.9x5 for 46088	C4640	65163	Conical Spacer Øi7x18x22x10 for 46088	D5315
AO331	Round Bar Trolley for 46088	B1714	AO353	Bottom Cover for 46088	C6646	66123	Spacer for 46088	D5320
AO332	Round Bar Transv. Trolley for 46088	B1739	36623	Foot Cover for 46088	C6682	AO367	Fixed Protection Spacer for 46088	D5321
AO333	Connecting Rod BS for 46088	B4007A	AO354	Bar Cover for 46088	C6686	66124	Teflon Pin for 46088	D5331
AO334	Connecting Rod for 46088	B4008	AO355	Front Bar Cover for 46088	C6687	AO368	Spacer for Lever Ø8x16x22 for 46088	D5478
AO335	Crank for 46088	B4009	64361	Sharpener Body for 46088	C680764	AO369	Hex Spacer 10pm 80am for 46088	D560601
AO336	Plate Feeding Connecting Rod for 46088	B4080	AO356	Lower Cover for 46088	C7010	AO370	Spacer Screw Endless for 46088	D5639
AO337	Block for 46088	B5019	AO357	Flat Cover NSF for 46088	C7011	66125	Spacer Bearing for 46088	D5648
AO338	Brake Block for 46088	B5062	AO358	Rear Crankcase for 46088	C7012	AO371	Spacer Transmission Blade for 46088	D5662
66114	Arm Block for 46088	B5093	AO359	Shoulder Side Cover for 46088	C713301	AO372	Spacer for Spring for 46088	D5663
66115	Block Door Magnet for 46088	B5128	AO360	SE 9-S9 Adjustment Rack for 46088	C7202	AO373	Lower Shaft Spacer for 46088	D5705
19618	Bushing 8x10x8 for 46088	B6009	64123	Spring Support for 46088	C7203	AO374	Foot Spacer for 46088	D5708
AO339	Cylindrical Bushing for 46088	B6018	19251	Nylon Bearing 6x19x6 for 46088	C8005	36663	Locknut Pacer for 46088	D577016
16904	Bushing Sharpener for 46088	B6048	64362	Bearing 2Z-626 6x19x6 for 46088	C8012	AO375	Spacer for Spring AD Propeller for 46088	D5869
AO340	Bushing SI.25x32x40xØ40 for 46088	B6049	16922	Bearing 2Z-6202 for 46088	C8014	AO376	Eccentric Adjustment for 46088	E1423
17303	Bushing DU 12x14x15 for 46088	B6052	16925	Bearing 2RS-6204 20x47x14 for 46088	C8024	AO377	Eccentric Advancement Plate for 46088	E1450
AK403	Bushing DU 25x28x20 for 46088	B6056	36631	Bearing 2RS-6205 25x52x15 for 46088	C8056	AO378	Eccentric Trolley for 46088	E1484

Parts Breakdown

Model MS-IT-0370-S 46088

Item No.	Description	Position	Item No.	Description	Position	Item No.	Description	Position
AO379	Series Trolley Felt for 46088	F1617	AO395	Spring 6x0.8x20 Stainless Steel for 46088	M7012	AO413	Special Arm Handle Pin for 46088	P3751
36681	Cord Holder for 46088	F2809A	66135	Spring 11x2x18 for 46088	M7018	AO414	Knob Pin NSF for 46088	P3775
36695	Ring Support Cap for 46088	G5055	19776	Spring 14x1.5x60 for 46088	M7032	AO415	Sharpener Wheel Assembly Pin for 46088	P3787
AO380	Ring Opt.63 for 46088	G5068	19249	Spring 15.1x1.3x18 for 46088	M7035	AO416	Longitudinal Plate 12 330 for 46088	P4310
AO381	Ring M 14 P 1 Support Press. Block for 46088	G5102	17381	Spring 22 5x1 8x18 for 46088	M7052	AO417	L. Bottom Cover Support Plate for 46088	P4603
66126	Flanged Cap for 46088	G5109	65204	Handle Spring Trolley for 46088	M7090	65217	Bearing Sliding Plate for 46088	P4629
66127	Locknut KM3 M17x1 for 46088	G5114	66136	Spring for 46088	M709901	AO418	Slide Plate for 46088	P465141
AO382	Ring Alb.Gasket 370 ST.0643 for 46088	G8002	36750	18.5x20.9x1.2 Bar Carriage Spring for 46088	M7122	66141	Special Arm Locking Plate for 46088	P4839
66128	V-Ring for 46088	G8023	AO396	Spring 11x15.6x130 Arm BS for 46088	M7141	AO419	Plate Assy for Connecting Rod BS for 46088	P4842
AO383	Flywheel-Case Gasket for 46088	G8040	AO397	Spring 11x15.6x50 Arm BS for 46088	M7142	AO420	Arm Spec Safety Plate for 46088	P4877
16930	Handle C for 46088	I1901A	AO398	Spring 4.8x6.8x1 for 46088	M7144	17438	Foot C Matic for 46088	P5030
66129	Assembled Handle for 46088	I209301	36751	Spring for 46088	M7166	AO421	Mov.Supp. Locking Plate for 46088	P5109
23632	Screw for 46088	I2103	66137	Spring for 46088	M7192	AO422	Micro Aff. Support Fixing Plate for 46088	P5117
65621	Knob Ø12x25 M6 for 46088	I2115	17386	Rubber Shock Absorber for 46088	P1001	AO423	Protective Positioning Plate Blade for 46088	P5133
65622	Sharpener Body Knob for 46088	I2117	19797	Nylon Shock 8.5x8 for 46088	P1042	AO424	Felt Fixing Strap for 46088	P5182
66130	Handle for 46088	I214075	36762	Rubber Plug for 46088	P1053	AO425	Longitudinal Plate for 46088	P5351
66131	Handle for 46088	I2144	AO399	Assy Slice Deflector for 46088	P117500	AO426	Transverse Plate Ass. NSF for 46088	P576201
AO384	Handle Ø55x65 BS Release for 46088	I2150	AO400	Paragrace for 46088	P1359	AO427	Complete Stainless Steel Plate for 46088	P5796
66132	Handle for 46088	I2151	AO401	Ext. Knife Guard S9M-S37 for 46088	P1685	AO428	Plate Inox Assy for 46088	P5797
AO385	Adjustment Handle NSF for 46088	I2168	17419	Pin Truing for 46088	P322601	66142	Stainless Pusher for 46088	P670901
AO386	Plate Feed Assist Handle for 46088	I216901	AO402	Cam Advance Pin for 46088	P3236	65637	Special Screw M6x25 x Knob for 46088	P7475
AO387	Knob Assy BS Meat Pusher Inox for 46088	I2171	65209	Spindle Lever Flat Advance for 46088	P3237	66143	Blade Protection for 46088	P7872BK
AO388	Handle Ass. NSF for 46088	I217501	AO403	Pivot Pulley for 46088	P3249	66144	Blade Protection for 46088	P7873BK
AO389	Imp. Alu. M8 for 46088	I220101	AO404	Pin for Connecting Rod Forward Plate for 46088	P3298	AK028	Sharpener Pusher ø15x16 Nickel for 46088	P8612
AO390	Gear Z32 DP112 M3.5 for 46088	I2410	66138	Pin for 46088	P3502	AO429	Drawer Binder for 46088	R1026
AO391	Gear Z16 DP56 M3.5 Hole Ø22 for 46088	I2412	AO405	Pivot Pusher Special Arm for 46088	P3504	36874	Washer EI.U3703 12 for 46088	R6008
AO392	Plate Feed Gear for 46088	I2443	66139	Pin for 46088	P3513	36877	Washer 8.2x16x0.9 for 46088	R6207
AO393	Roller Chain Engine 3/8 x 7/32 z.36 for 46088	I2473	AO406	NSF Special Arm Pin for 46088	P352701	AO430	Washer 12.2x25x0.9 for 46088	R6217
AO312	Blade 370 / 25.4 Bore / 2 Bores / HRC 59-62 for 46088	L0622	AO407	Special Shaft Fixing Pin BS NSF for 46088	P353401	36880	Washer U6592 3 for 46088	R6504
AO394	Plate Advance Lever for 46088	L2408	AO408	Sharpen Body Pin for 46088	P3659	77618	Washer U6592 4 Stainless Steel for 46088	R650515
79268	Magnete MFD 020 004 010 for 46088	M0816	AO409	Pivot Body Sharpener for 46088	P3664	64376	Washer U6593 5 (5,5x15x1,2) Inox for 46088	R650715
14787	Grinding Sharpening Stone 48x15x14.3 for 46088	M6602	AO410	Limit Switch Pin B.S.NSF for 46088	P368401	36882	Washer U6592 5 Stainless Steel for 46088	R6508X
21644	F Stone 51x7x14.3 for 46088	M6621	AO411	Sharpener Pin for 46088	P3706	17457	Washer U6592 6 St-Steel for 46088	R6512X
66134	Spring 6x1x15 Zinc for 46088	M7006	AO412	Pin for Sharpening Wheel (A1036) for 46088	P3734	36884	Washer U6592 8 Stainless Steel for 46088	R6520X

Parts Breakdown

Model MS-IT-0370-S 46088

Item No.	Description	Position	Item No.	Description	Position	Item No.	Description	Position
36885	Washer U6592 10 Stainless Steel for 46088	R6530X	64380	Spina Mecc.Elast. U6873 6x40 for 46088	S7548	64385	Targhetta Royal Machines Ø58 for 46088	T1786
66375	Stainless Steel Washer U6592 12 for 46088	R654015	77569	Pin U7586 6x30 for 46088	S7570	AO458	Rilsan PA11 Tube 4x6x1 DIN73378 for 46088	T9751
64378	Stainless Steel Washer U6593 6.6x18x1.6 for 46088	R680415	AO440	Handle Coupling Plug for 46088	S7585	37018	Screw STTC U6113 M6x6 for 46088	V6010
36889	Washer 10.5x16x1 for 46088	R6816	AO441	Pin for Special Arm Connecting Rod for 46088	S7632	64387	Stainless Steel Screw M8x30 U5923 for 46088	V602215
66145	Washer 17.2x30x1 for 46088	R6831	AO442	Pin 4x15 Zig.Handle Plate L for 46088	S7634	64388	Screw STEI U5923 M6x16 for 46088	V6031
AO431	Washer 24x34.8x0.2 for 46088	R6842	64382	Spina Centraggio Plate for 46088	S7672	AO459	Stainless Steel Screw STEI U5923 M6x30 for 46088	V603515
16972	Washer 5.5x19x2.5 for 46088	R6884	66151	Pin for 46088	S7679	64389	Screw STEI U5929 M4x5 for 46088	V6062
36893	Stainless Steel Special Washer 8.5x24x2 for 46088	R6897X	65247	Plug Fix.External Panel for 46088	S7681	37023	Screw STEI U5929 M5x5 for 46088	V6065
66146	Special Washer Inox 5.5x15x1.5 for 46088	R689915	AO443	Plug Ø8x20 for 46088	S7683	19691	Grub Screw M6x6 for 46088	V6066
AO432	Special Washer 16.2x25x0.8 for 46088	R6907	AO444	6x32 Stainless Steel Rectified Cylindrical Pin. for 46088	S7699	37024	Screw STEI U5929 M6x6 for 46088	V6066X
36897	Special Washer 5.5x22x1.5 for 46088	R6932	AO445	Slice Adjustment Support Ros for 46088	S8834R	19692	Screw M6x8 for 46088	V6067
AO433	Washer for Hood Lever for 46088	R6946	AO446	Brake Support for 46088	S9084	23648	Screw for 46088	V6073
64124	Safety Washer for 46088	R6949	AO447	Feed Rod Support for 46088	S9085	19694	Screw M8x10 for 46088	V6075
65641	Special Washer x Sharpener 6x25x1 for 46088	R6959	AO448	Ring Movement Support for 46088	S9322	79285	Screw STEI U5923 M10x30 Inox for 46088	V608015
AO434	Special Washer Ram 28.05 for 46088	R6963	AO449	Supp.Spring Ant.Arm BS for 46088	S9348	AO460	Grinscrew DIN 551- M8x15 Nylon for 46088	V6083N
AO435	Spec. Washer 25x55x3 for 46088	R6967	AO450	Support for Eccentric for 46088	S9366	64391	Screw M10x25 U5923 for 46088	V6084
66147	Rack for 46088	R8504	AO451	Tower Protection Plate for 46088	S9406	66152	Screw TC U6107 M5x12 Inox for 46088	V620815
AO436	Roller Ø8x12 Free Wheel for 46088	R8590	AO452	Support Spring Arm BS for 46088	S9490	64392	Screw TCEI U5931 M5x12 Inox for 46088	V624315
19680	Ball 3 17 for 46088	S3005	AO453	Special Arm Support Lights for 46088	S9491	37038	Screw TCEI U5931 M5x16 for 46088	V624415
AO437	Sphere 7 for 46088	S3020	AO454	Blade Shaft Support for 46088	S9510	77598	Stainless Steel Screw TCEI U5931 M6x20 for 46088	V6245X
AO438	Movement Slide Protection for 46088	S3816	AO455	Hand Grip Support for 46088	S9528	37039	Screw TCEI U5931 M6x25 Inox for 46088	V6246X
19866	Joint for 46088	S4501	AO456	Goods Support B116 for 46088	S9549	66154	Screw for 46088	V625215
36911	Pin 5x28 for 46088	S7402	AO457	Welded Slicer Support for 46088	S9628	66155	Screw for 46088	V626615
17472	Pin M.C St-Steel 4x20 for 46088	S7502	19877	Rubber Cap for 46088	T1001	AO461	Screw TBTC3.5x9.5 Stainless St for 46088	V6279X
66149	Pin for 46088	S7503	36981	Rubber Cap for 46088	T1004	AI254	Screw M6x16 for 46088	V6294
66150	Pin for 46088	S7514	36982	Heyco Cap SP-468 Diam.12 for 46088	T1022	37054	Screw TBTC Aut.U6954 2.9x9.5 for 46088	V6301
AO439	Pin Cil.6x32 for 46088	S7515A	36983	Rubber Cap Diam. 13.5 for 46088	T1023	64396	Screw TBTC Aut.U6954 2.2x9.5 for 46088	V6312
36915	Pin Stainless Steel D.6x28 for 46088	S7516	60774	Bushing for 46088	T1025	AO462	Screw TCEI U5931 M10x55 Stainless Steel for 46088	V633715
36918	Pin M.C.Stainless Steel 6x42 for 46088	S7522	19883	Label Oil for 46088	T1690	37055	Stainless Steel Screw M 5x8 U5931 for 46088	V634015
19686	Pin 3x8 for 46088	S7542	64384	Targhetta Royal Machines Mezzaluna for 46088	T1785	37056	Stainless Steel Screw M6x12 U5931 for 46088	V634515

Parts Breakdown

Model MS-IT-0370-S 46088

Item No.	Description	Position	Item No.	Description	Position	Item No.	Description	Position
AO463	Screw TE U5737 M5x10 Inox for 46088	V640115	66159	Screw for 46088	V647015	74419	Screw for 46088	V7983
37060	Stainless Steel Screw TE U5737 M5x12 for 46088	V6403X	AO466	TE Screw U5739 M4x10 Inox for 46088	V6471X	37106	Stainless Steel Switch Screw M5x10 for 46088	V8048
78262	Screw U5739 M5x16 for 46088	V6406	66160	Screw for 46088	V647315	AO473	Screw M6x35 Inox Puntata for 46088	V8049
AO464	TE Screw U5739 M6x35 Stainless Steel for 46088	V6407X	AO467	Screw TSPEI U5933 M8x50 Inox for 46088	V7042	74420	Screw for 46088	V8058
65653	Stainless Steel Screw TE U5739 M6x12 for 46088	V6414X	AO468	Screw TSP U6109 M3x10 for 46088	V7045	66162	Screw for 46088	V8062
37064	Screw TE U5739 M10x35 for 46088	V6415X	AO469	Screw TSPEI U5933 M10x40 Inox for 46088	V705415	37112	Stainless Steel Screw M8x4 for 46088	V8085
66387	Screw TE U5737 M6x15 Stainless Steel for 46088	V6421X	19714	Screw for 46088	V7715	AO474	Screw for Bar for 46088	V8092
AO465	Screw TE U5739 M10x30 Inox for 46088	V642215	AO470	Screw A Perno per Biella B.S. for 46088	V7735	AO475	Cap Screw for M8 Grin for 46088	V809201
65276	Screw for Ends for 46088	V642216	17503	Screw M5x13 for 46088	V7908	AO476	Screw Register B.S.M 12p.1 for 46088	V8108
37070	Screw TE U5739 M6x20 Stainless Steel for 46088	V6449X	17504	Bar Screw M6x14 Stainless Steel for 46088	V7915	66163	Screw for 46088	V8126
37071	Screw TE U5739 M6x10 Stainless Steel for 46088	V6450X	AO471	Screw M6x16 Motor for 46088	V7926	66164	Screw for 46088	V8150
66157	Screw for 46088	V646515	19720	Screw M6 for 46088	V7934	66165	V-Ring for 46088	VS70
66158	Screw for 46088	V646915	AO472	Screw M6x18 Registro V35 for 46088	V7947			