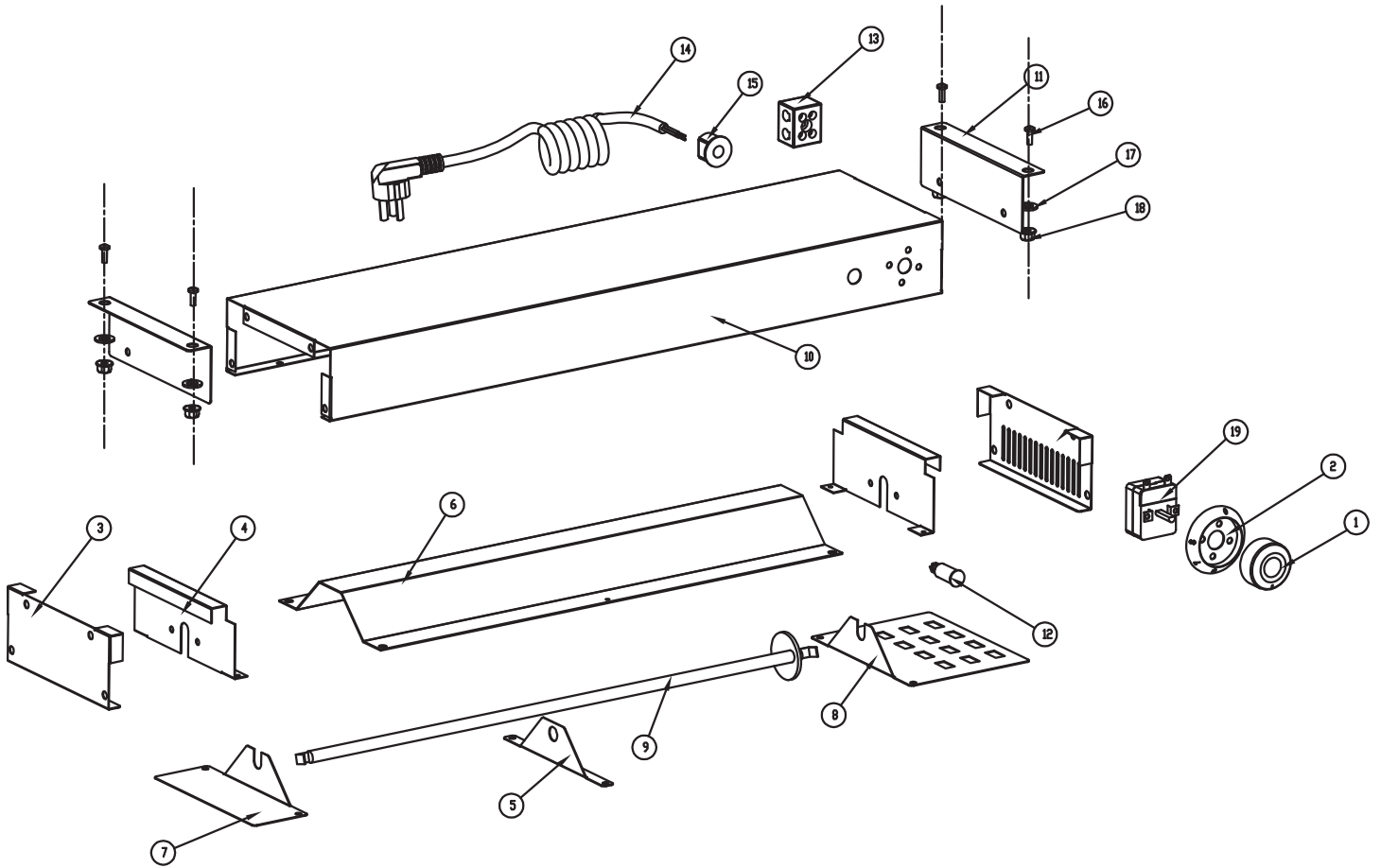


# Parts Breakdown

Model FW-CN-0002-B 46640



# Parts Breakdown

---

## Model FW-CN-0002-B 46640

Item No.	Description	Position	Item No.	Description	Position	Item No.	Description	Position
AD131	Knob for 46640	1	AD152	Bottom Board of Control Box for 46640	8	AD145	Power Cord Fixer for 46640	15
AD132	Knob Base for 46640	2	AD153	Heater for 46640	9	AD146	Screws for 46640	16
AD133	Left Side Board for 46640	3	AD154	Outer Cover for 46640	10	AD147	Washers for 46640	17
AD134	Top-Left Heater Fixer for 46640	4	AD141	Bracket for 46640	11	AD148	Nuts for 46640	18
AD135	Mid Heater Fixer for 46640	5	AD142	Indicator for 46640	12	AD149	Energy Regulator for 46640	19
AD151	Reflector for 46640	6	AD143	Terminal Block for 46640	13	AD150	Right Side Board for 46640	20
AD137	Bottom-Left Heater Fixer for 46640	7	AD144	Power Cord and Plug for 46640	14			