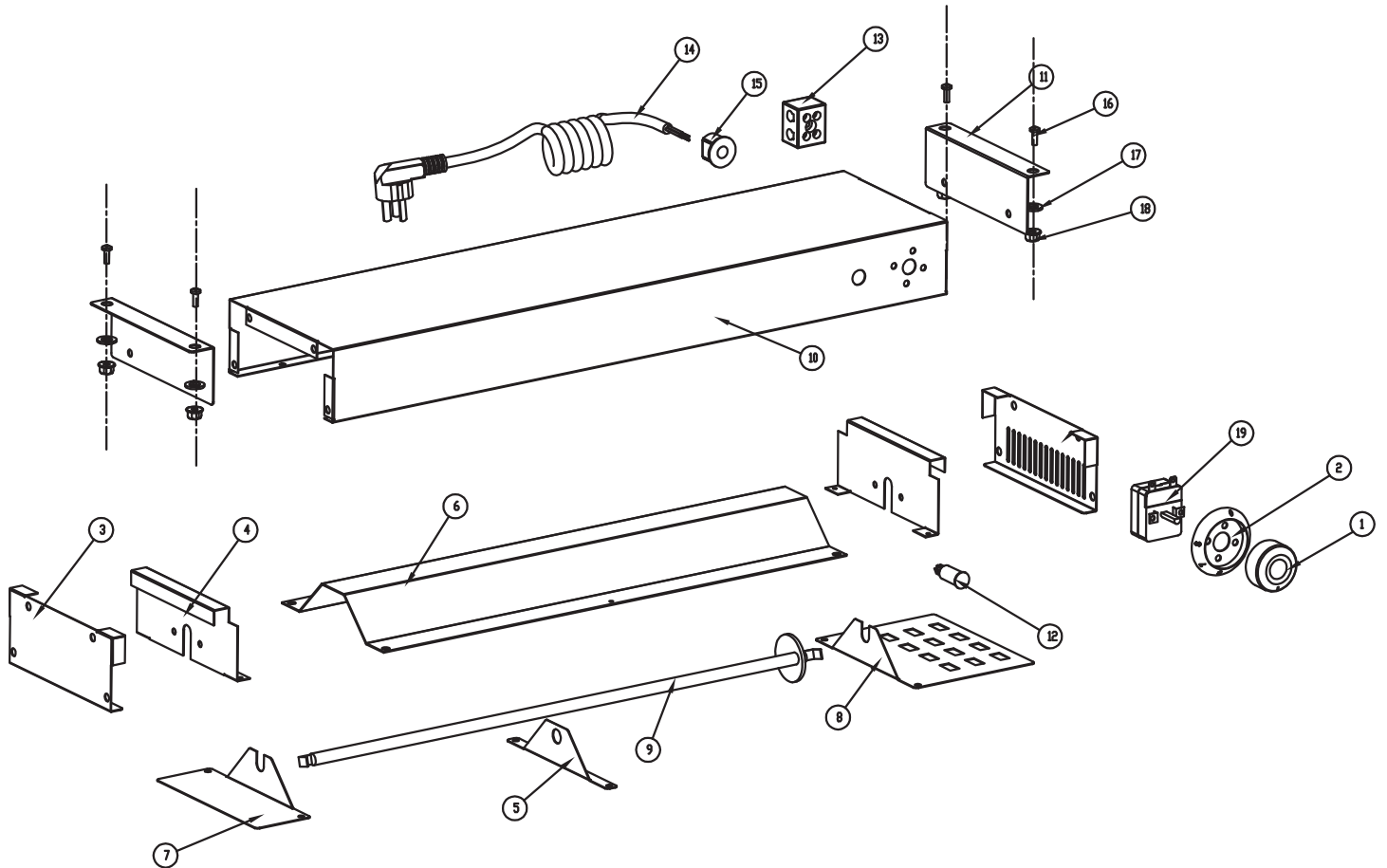


Parts Breakdown

Model FW-CN-0003-B 46697



Parts Breakdown

Model FW-CN-0003-B 46697

Item No.	Description	Position	Item No.	Description	Position	Item No.	Description	Position
AD131	Knob for 46697	1	AD156	Bottom Board of Control Box for 46697	8	AD145	Power Cord Fixer for 46697	15
AD132	Knob Base for 46697	2	AD157	Heater for 46697	9	AD146	Screws for 46697	16
AD133	Left Side Board for 46697	3	AD158	Outer Cover for 46697	10	AD147	Washers for 46697	17
AD134	Top-Left Heater Fixer for 46697	4	AD141	Bracket for 46697	11	AD148	Nuts for 46697	18
AD135	Mid Heater Fixer for 46697	5	AD142	Indicator for 46697	12	AD149	Energy Regulator for 46697	19
AD155	Reflector for 46697	6	AD143	Terminal Block for 46697	13	AD150	Right Side Board for 46697	20
AD137	Bottom-Left Heater Fixer for 46697	7	AD144	Power Cord and Plug for 46697	14			