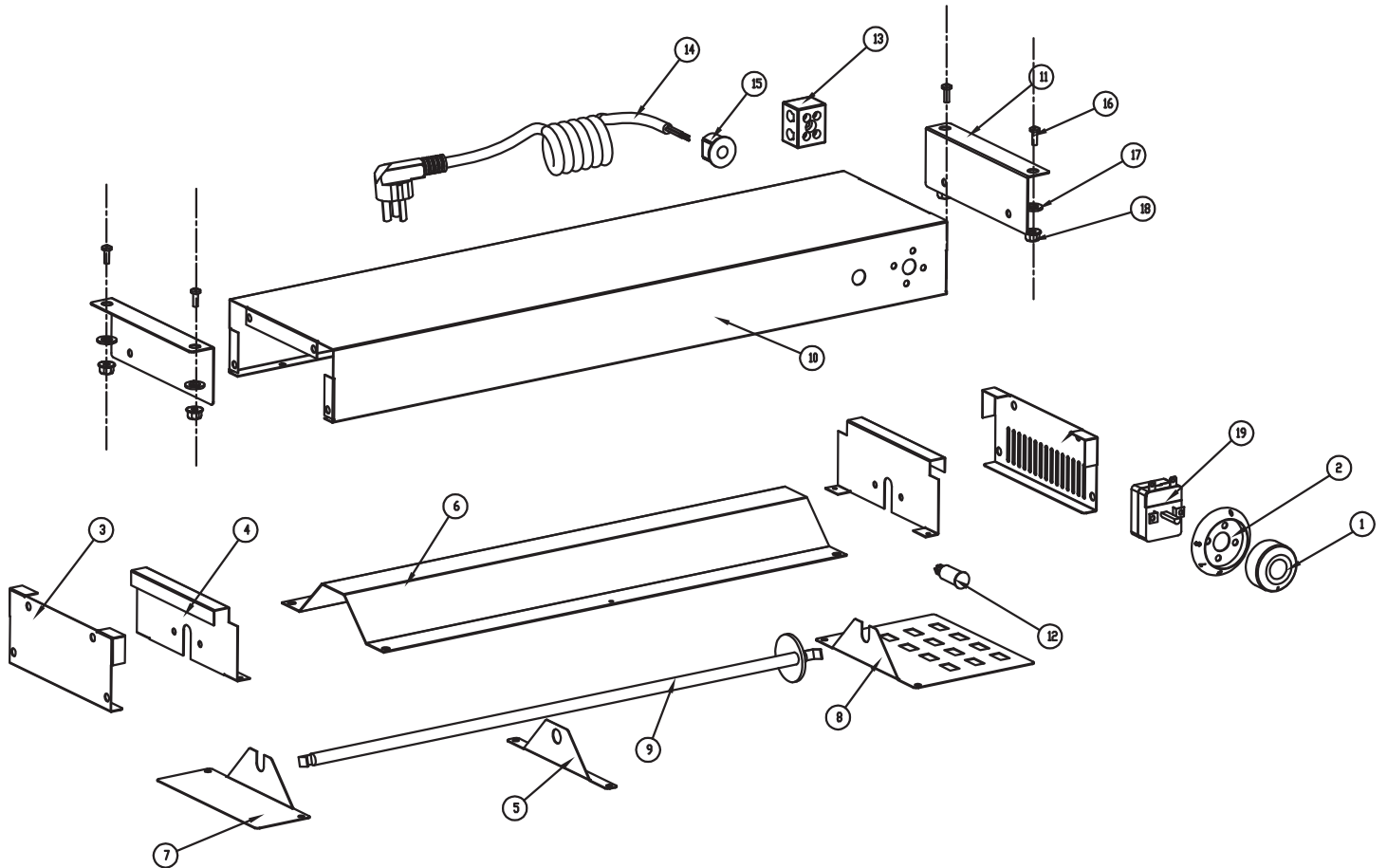


# Parts Breakdown

Model FW-CN-0004-B 46698



# Parts Breakdown

---

## Model FW-CN-0004-B 46698

Item No.	Description	Position	Item No.	Description	Position	Item No.	Description	Position
AD131	Knob for 46698	1	AD160	Bottom Board of Control Box for 46698	8	AD145	Power Cord Fixer for 46698	15
AD132	Knob Base for 46698	2	AD161	Heater for 46698	9	AD146	Screws for 46698	16
AD133	Left Side Board for 46698	3	AD162	Outer Cover for 46698	10	AD147	Washer for 46698	17
AD134	Top-Left Heater Fixer for 46698	4	AD141	Bracket for 46698	11	AD148	Nuts for 46698	18
AD135	Mid Heater Fixer for 46698	5	AD142	Indicator for 46698	12	AD149	Energy Regulator for 46698	19
AD159	Reflector for 46698	6	AD143	Terminal Block for 46698	13	AD150	Right Side Board for 46698	20
AD137	Bottom-Left Heater Fixer for 46698	7	AD144	Power Cord and Plug for 46698	14			