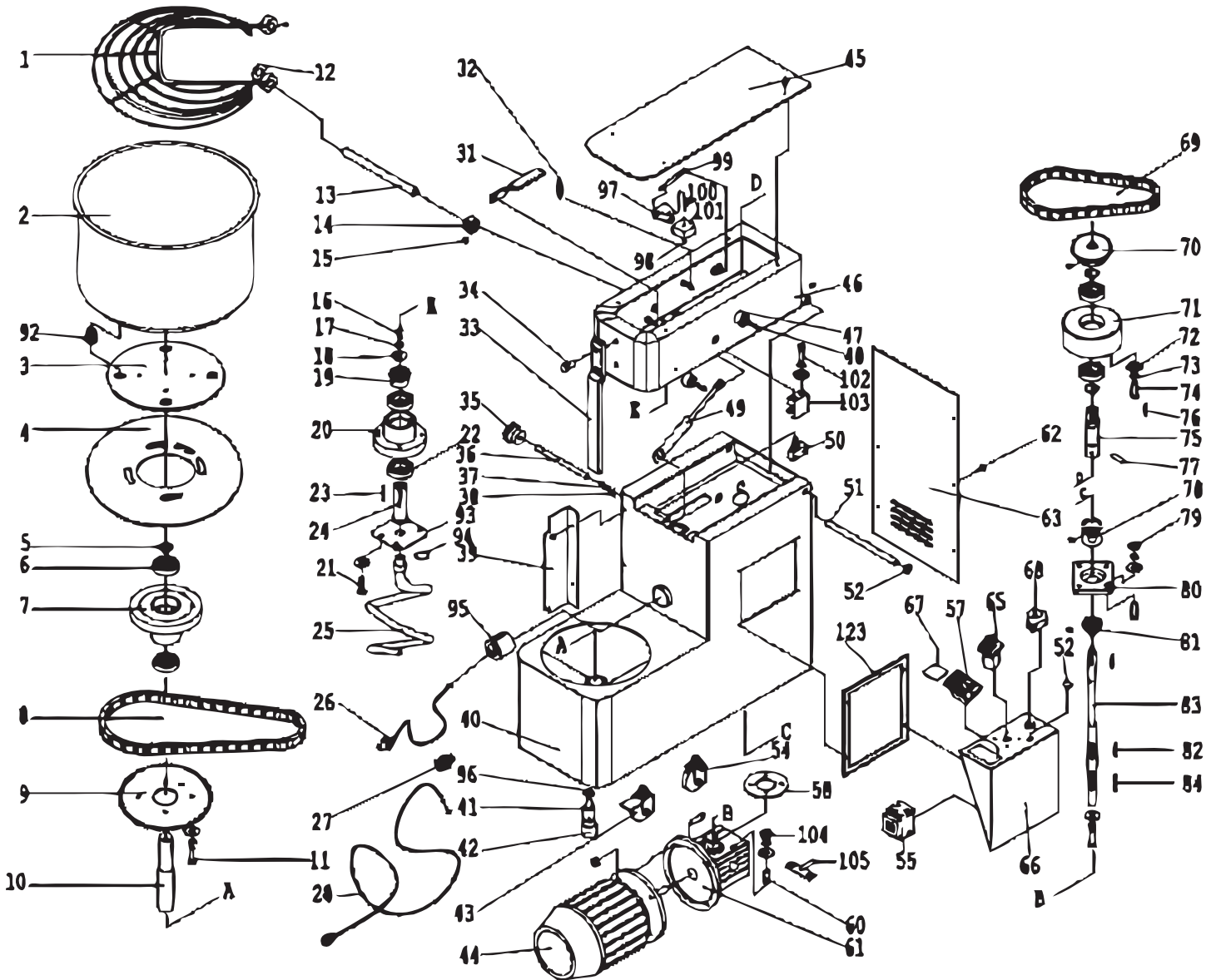


Parts Breakdown

Model SM-IT-0053-R 47063



Parts Breakdown

Model SM-IT-0053-R 47063

Item No.	Description	Position	Item No.	Description	Position	Item No.	Description	Position
AC199	Safety Guard for 47063	1	AC269	Spring Diam. 1,2 x Diam. 8,5 x 20/13 for 47063	32	AC243	Chain Pinion Gear Z=29 08B for 47063	70
AC200	Bowl for 47063	2	AC222	Rod Breaking Dough for 47063	33	AC279	Ball Bearing Base for 47063	71
AC263	Bowl Flange for 47063	3	AC223	Screw M10x25 for 47063	34	AC245	Stainless Steel Washer Ø 10 for 47063	72
AC264	Plate Block Bowl for 47063	4	AC270	Head Closing Knob for 47063	35	AC246	Stainless Steel Washer Spring Ø 10 for 47063	73
AC201	Snap Ring Diam. 25 for 47063	5	AC271	Closing Handle Axle for 47063	36	AC280	Screw TE M10x35 INOX for 47063	74
AC202	Bearing 6205-2RS for 47063	6	AC272	Spring Ø 1,5 x Ø 14 x 30/6 for 47063	37	AC281	Connecting Shaft for 47063	75
AC203	Support Bowl Base for 47063	7	AC273	Pin Diam. 3,2 for 47063	38	AC248	Key 6x6x30 for 47063	76
AC204	Bowl Spiral 06B/144 for 47063	8	AC274	Side Safety Panel for 47063	39	AC282	Connecting Pin Ø 10x50 for 47063	77
AC205	Crown Z=85 06B for 47063	9	AC225	Steel Foot M12 for 47063	41	69741	Transmission Joint for 47063	78
AC206	Bowl Support Axle for 47063	10	AC226	Insert for Plastic Foot for 47063	42	AC283	Nut M10 ZN for 47063	79
AC265	Screw M8x60 for 47063	11	AI215	Wheel Kit M12 (2 with Brake and 2 without Brake) for 47063	43, 54	AC244	Transmission Shaft Base UCF 205 for 47063	80
AC266	Guard Ring for 47063	12	AC228	Motor 400 V -1.5kW - 50Hz 90 B14 for 47063	44	46382	Chain Pinion Gear Z=16 06B for 47063	81
AC208	Safety Guard Pin for 47063	13	AF276	Upper Grey Panel for 47063	45	AC248	Key 6x6x30 for 47063	82
AC267	Cam for Safety Guard for 47063	14	AC230	Ring in Nylon for 47063	47	AC284	Transmission Shaft for 47063	83
AC210	Screw M8x10 for 47063	15	AC231	Screw M4x30 for 47063	48	AC250	Key 8x7x35 for 47063	84
AC211	Screw M8x25 for 47063	16	69380	Mechanical Shock for 47063	49	AC285	Bowls Peg for 47063	92
AF324	Stainless Steel Washer Grover Ø 8,5 for 47063	17	AC275	Micro-Switch for 47063	50	AC252	Spiral Plate for 47063	93
AC213	Stainless Steel Washer Ø8 for 47063	18	AC276	Head Rotation Shaft for 47063	51	AC253	O-Ring Diam. 20x2,5 for 47063	94
AC214	Pinion Gear Z=15 08B for 47063	19	AC232	Axis Cover for 47063	52	AC286	Proximity Micro L=75 mm for 47063	95
AC215	Spiral Support for 47063	20	69417	Contactora CN-6/4A 24 V for 47063	55	AC287	Nut M12 ZN for 47063	96
AC216	Screw M8x30 for 47063	21	AF277	Black/White Button KJD17B-4 230V 50Hz for 47063	57	AC254	Nylon Block Base for 47063	97
AC202	Bearing 6205-2RS for 47063	22	AC234	Ring Fixing Reduction Gear for 47063	58	AC255	Nut M5 ZN for 47063	98
AC217	Bearing 6006-2RS for 47063	22.01	AC235	Screw M8x40 for 47063	60	AC256	Tensioner Base for 47063	99
AC218	Key 6x6x35 for 47063	23	AC236	Gear Box CM063 90 B14 1/30 for 47063	61	AC257	Screw TCEI M5x30 for 47063	100
AC219	Axle for Spiral Base for 47063	24	AC237	Screw M5x10 for 47063	62	AC258	Nylon Block for 47063	101
AF325	Spiral for 47063	25	AF278	Back Grey Panel for 47063	63	AC288	Screw TCEI M10x25 TR for 47063	102
69999	Distance Sensor with Two Cables "NO" for 47063	26	AF279	Selector 2 Speed 1-0-2 for 47063	65	AC289	Head Closing Hook for 47063	103
AC220	Wire Clip for 47063	27	AF280	White Label 50x50 for 47063	67	AC290	Nut M8 ZN for 47063	104
AF275	Supply Cable 5x1,5 for 47063	28	67014	Timer 0-30 min. for 47063	68	AC259	Bowl Chain Tensioner Part for 47063	105
AC268	Pivot for Fixing Spring for 47063	31	AC278	Spiral Chain 08B/76 for 47063	69	AF281	White Frame for 47063	123