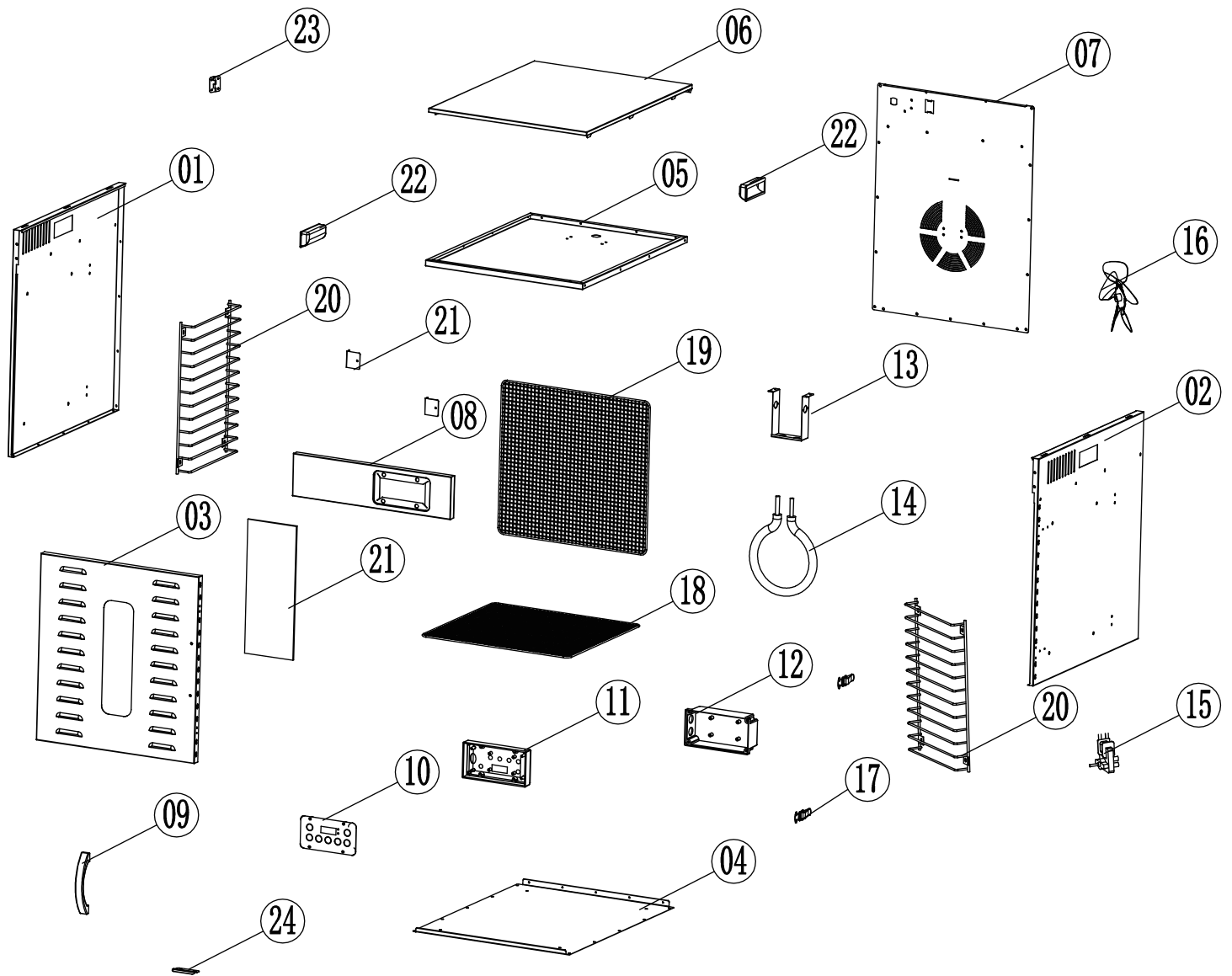


Parts Breakdown

Model **CE-CN-0012-E** 47446



Parts Breakdown

Model CE-CN-0012-E 47446

| Item No. | Description | Position | Item No. | Description | Position | Item No. | Description | Position |
|----------|--------------------------|----------|----------|-------------------------------|----------|----------|--------------------------|----------|
| AK867 | Left Board for 47446 | 1 | AK875 | Door Handle for 47446 | 9 | AK883 | Push Button for 47446 | 17 |
| AK868 | Right Board for 47446 | 2 | AK876 | Control Panel for 47446 | 10 | AK884 | Mesh Tray for 47446 | 18 |
| AK869 | Door for 47446 | 3 | AK877 | Control Box for 47446 | 11 | AK885 | Separate Tray for 47446 | 19 |
| AK870 | Bottom Board for 47446 | 4 | AK878 | PCB Box for 47446 | 12 | AK886 | Rack for 47446 | 20 |
| AK871 | Separate Plate for 47446 | 5 | AK879 | Heating Pipe Holder for 47446 | 13 | AK887 | Rack Holder for 47446 | 21 |
| AK872 | Top Board for 47446 | 6 | AK880 | Heating Pipe for 47446 | 14 | AK888 | Plastic Handle for 47446 | 22 |
| AK873 | Back Board for 47446 | 7 | AK881 | Motor for 47446 | 15 | AK889 | Hinge for 47446 | 23 |
| AK874 | Front Board for 47446 | 8 | AK882 | Fan for 47446 | 16 | AK890 | Door Holder for 47446 | 24 |