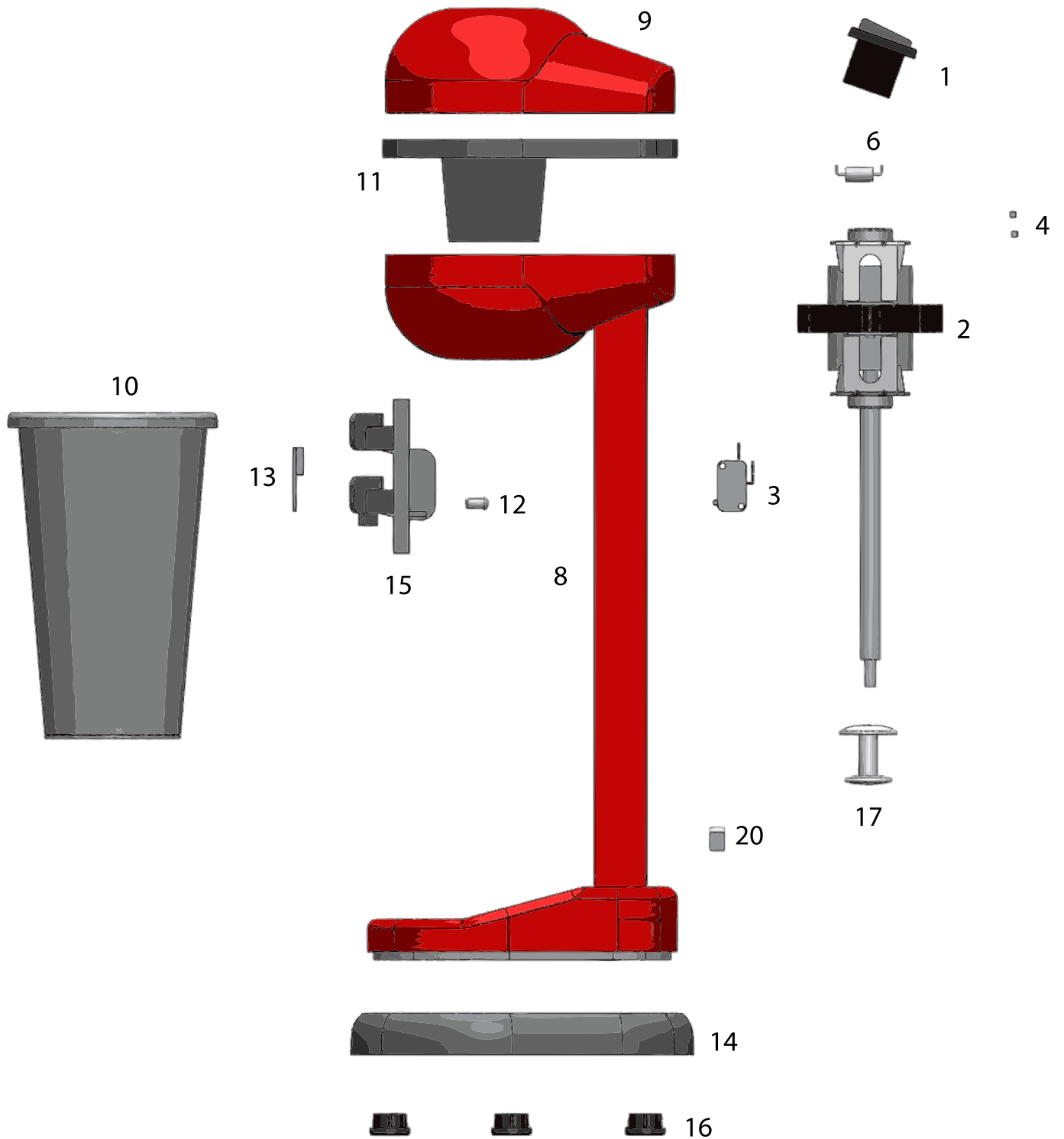


Parts Breakdown

Model **BL-GR-0450A** 47459





Parts Breakdown

Model **BL-GR-0450A** 47459

Item No.	Description	Position	Item No.	Description	Position	Item No.	Description	Position
AK937	Rocker Switch On-Off-On for 47459	1	AK925	Head-Top for 47459	9	AK928	Plastic Malt Cup Holder for 47459	15
AK930	Motor Drink Mixer for 47459	2	AK927	Malt Cup Stainless Steel for 47459	10	AK933	Rubber Feet for 47459	16
AK935	Safety Switch for 47459	3	AK926	Plastic Motor Base for 47459	11	AK929	Stainless Steel Propeller for 47459	17
AN189	Carbon Brushes for 47459	4	AK936	Safety-Switch-Knob for 47459	12	AN192	Strain Relief for 47459	20
AN190	Diode for 47459	6	AN191	Plastic T Shape for 47459	13			
AK934	Metal Body for 47459	8	AK932	Plastic-Base for 47459	14			