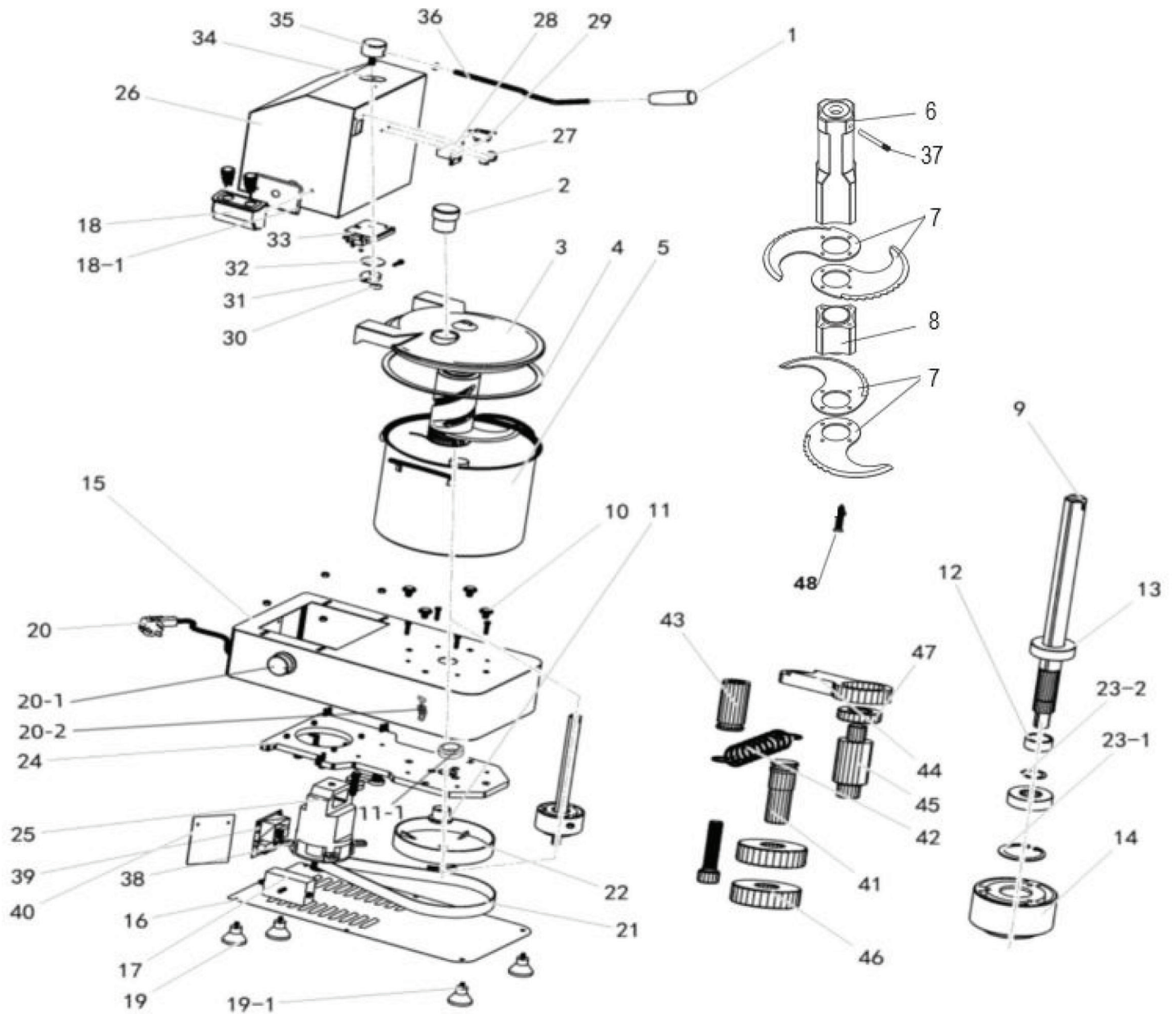


Parts Breakdown

Model FP-CN-0012 47507



Parts Breakdown

Model FP-CN-0012 47507

Item No.	Description	Position	Item No.	Description	Position	Item No.	Description	Position
AK822	Handle for 47507	1	AT458	Complete Buttons for 47507	18-2	AK853	Handle Seat for 47507	35
AK823	Chuck Plug for 47507	2	AK838	Rubber Feet for 47507	19	AK854	Compression Bar for 47507	36
AK824	PC Cover for 47507	3	AK839	Power Cable for 47507	20	AK855	Dowel for 47507	37
AK825	Water Proof Gasket for 47507	4	AK840	Belt for 47507	21	AK856	Motor Holder for 47507	38
AK826	Container for 47507	5	AK841	Big Belt Pulley for 47507	22	AK857	Circuit Board for 47507	39
AK827	Up Tool Apron for 47507	6	AK842	Main Board for 47507	24	AK858	Installation Board for 47507	40
AK828	Rotate Knives for 47507	7	AK843	Motor for 47507	25	AK859	Tension Wheel Shaft for 47507	41
AK829	Down Tool Apron for 47507	8	AK844	Welding for 47507	26	AK860	Tension Spring for 47507	42
AK830	Complete Shaft Set for 47507	9	AK845	Limited Block for 47507	27	AK861	Small Shaft for 47507	43
AK831	Rubber Gasket for 47507	10	AK846	Front Switch Holder for 47507	28	AK862	Tension Wheel Arm for 47507	44
AK832	Locating Sleeve for 47507	11	AK847	Sure Model Switch for 47507	29	AK863	Wheel Shaft 2 for 47507	45
AK833	Base Seat Component for 47507	15	AK848	Big Nut for 47507	30	AK864	Bearing 6200 for 47507	46
AK834	Base Board for 47507	16	AK849	Cam for 47507	31	AK865	Bearing 6800 for 47507	47
AK835	Knob for 47507	17	AK850	Big Gasket for 47507	32	A0772	Screw for 47507	48
AK836	Switch Box Seal Bar for 47507	18	AK851	Up Switch Holder for 47507	33	AK866	Contactactor for 47507	
AK837	Gasket for Electric Box for 47507	18-1	AK852	Nylon Gasket for 47507	34	AP106	Blade Assembly for 47507	