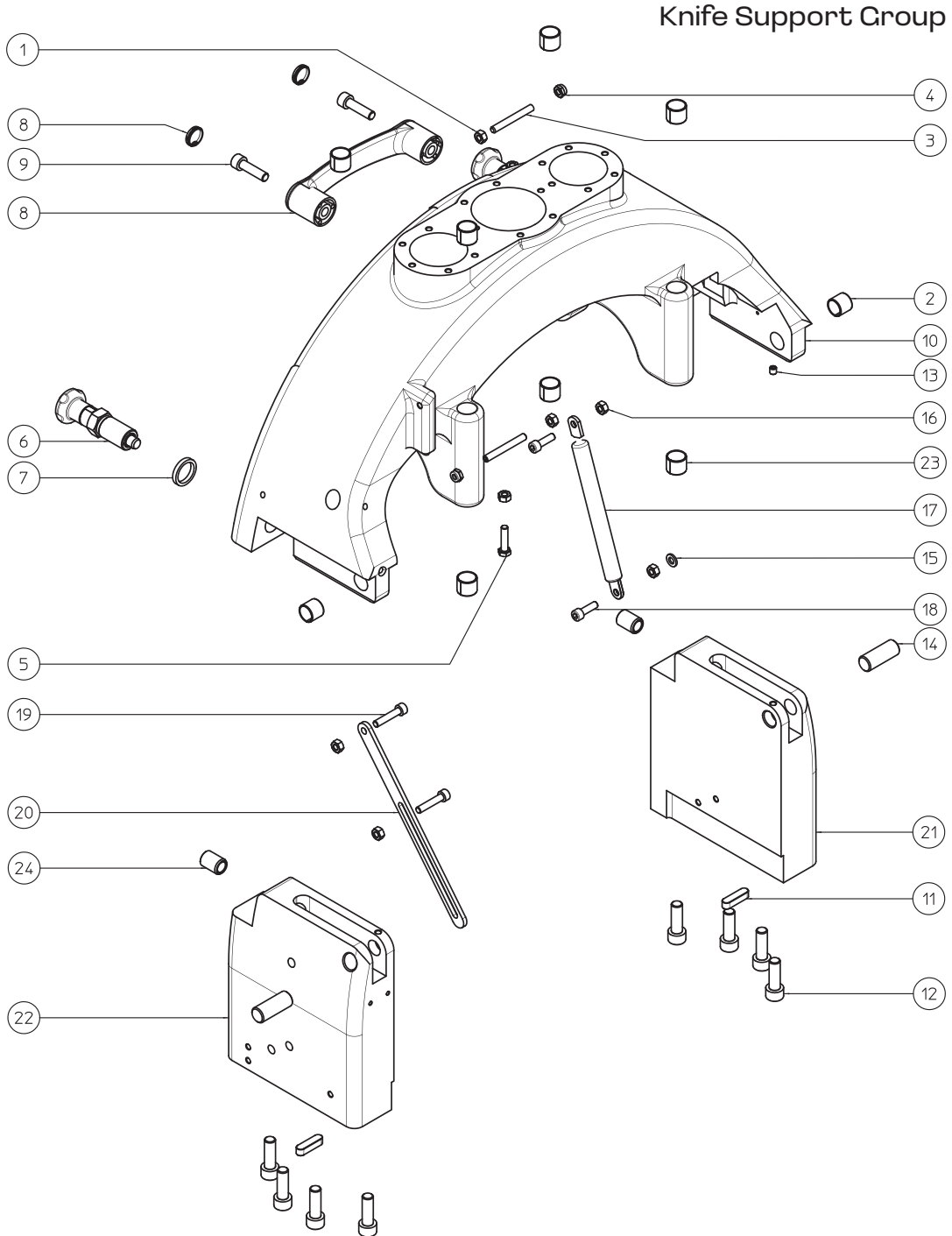


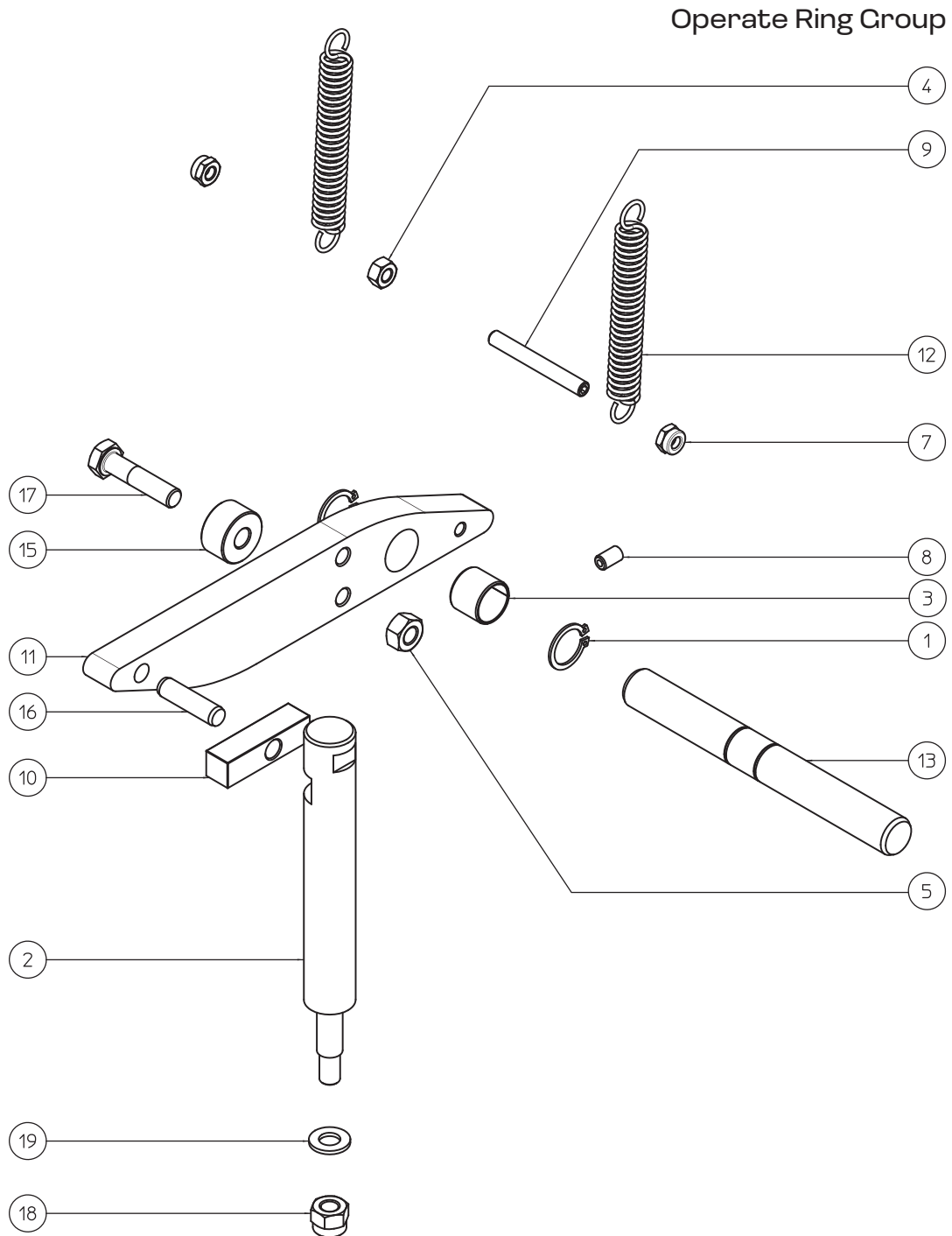
PARTS BREAKDOWN

ITEM	MODEL
47581	BE-IT-0030A



PARTS BREAKDOWN

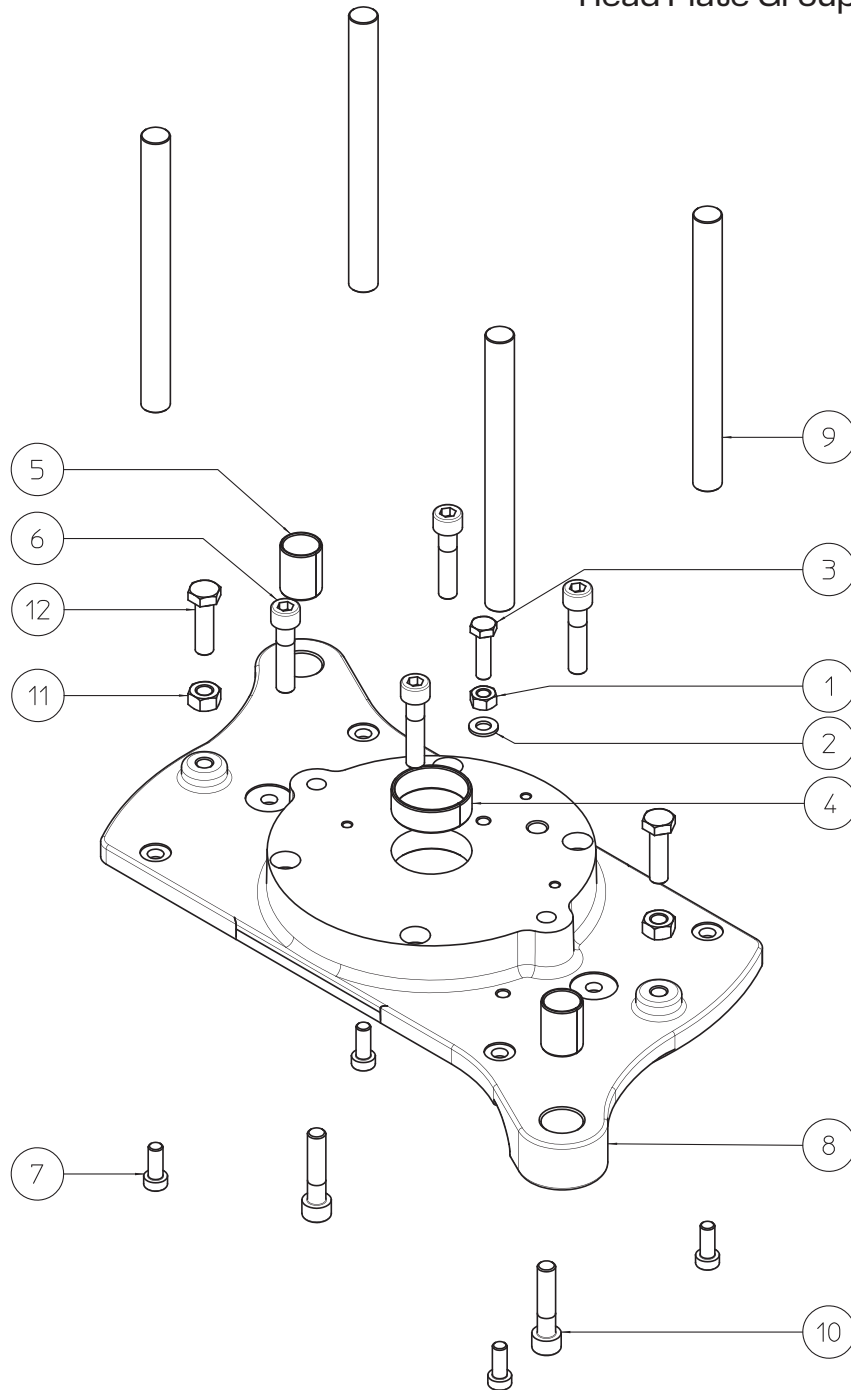
ITEM	MODEL
47581	BE-IT-0030A



PARTS BREAKDOWN

ITEM	MODEL
47581	BE-IT-0030A

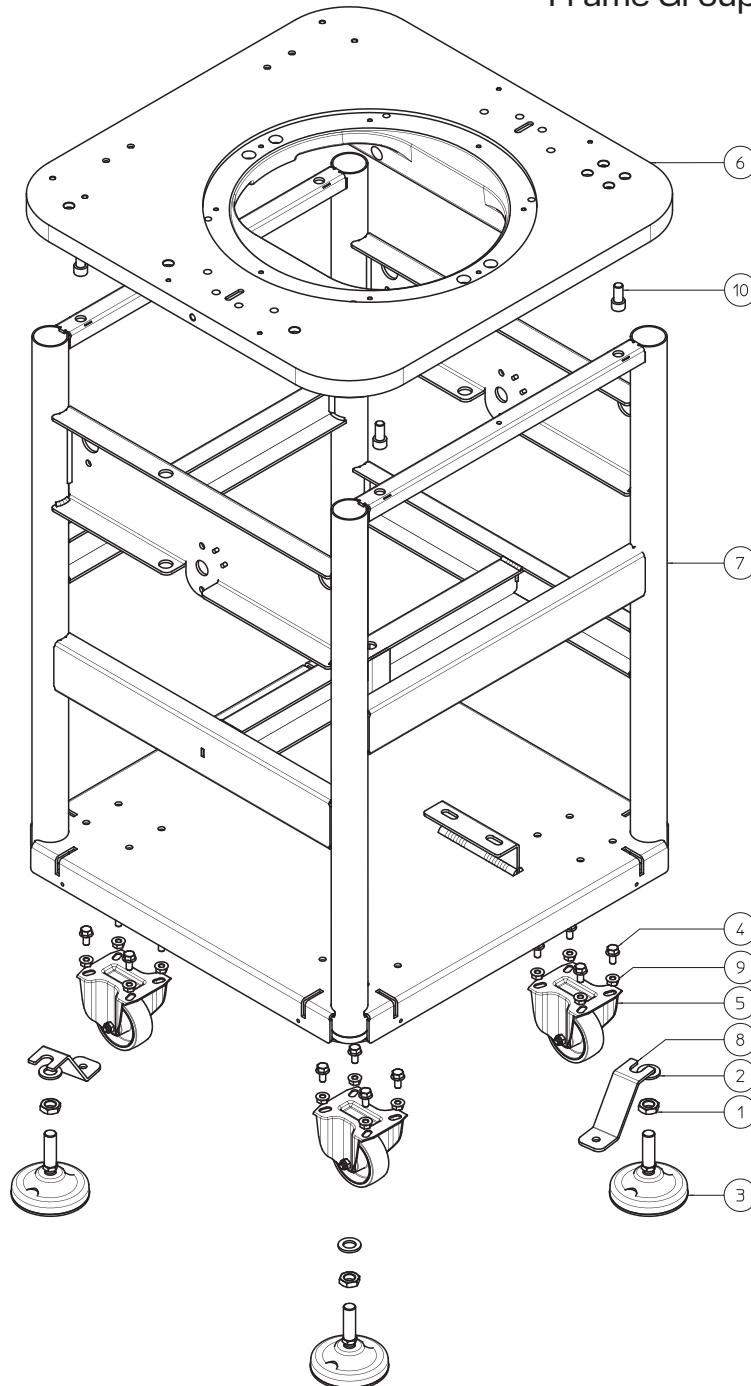
Head Plate Group



PARTS BREAKDOWN

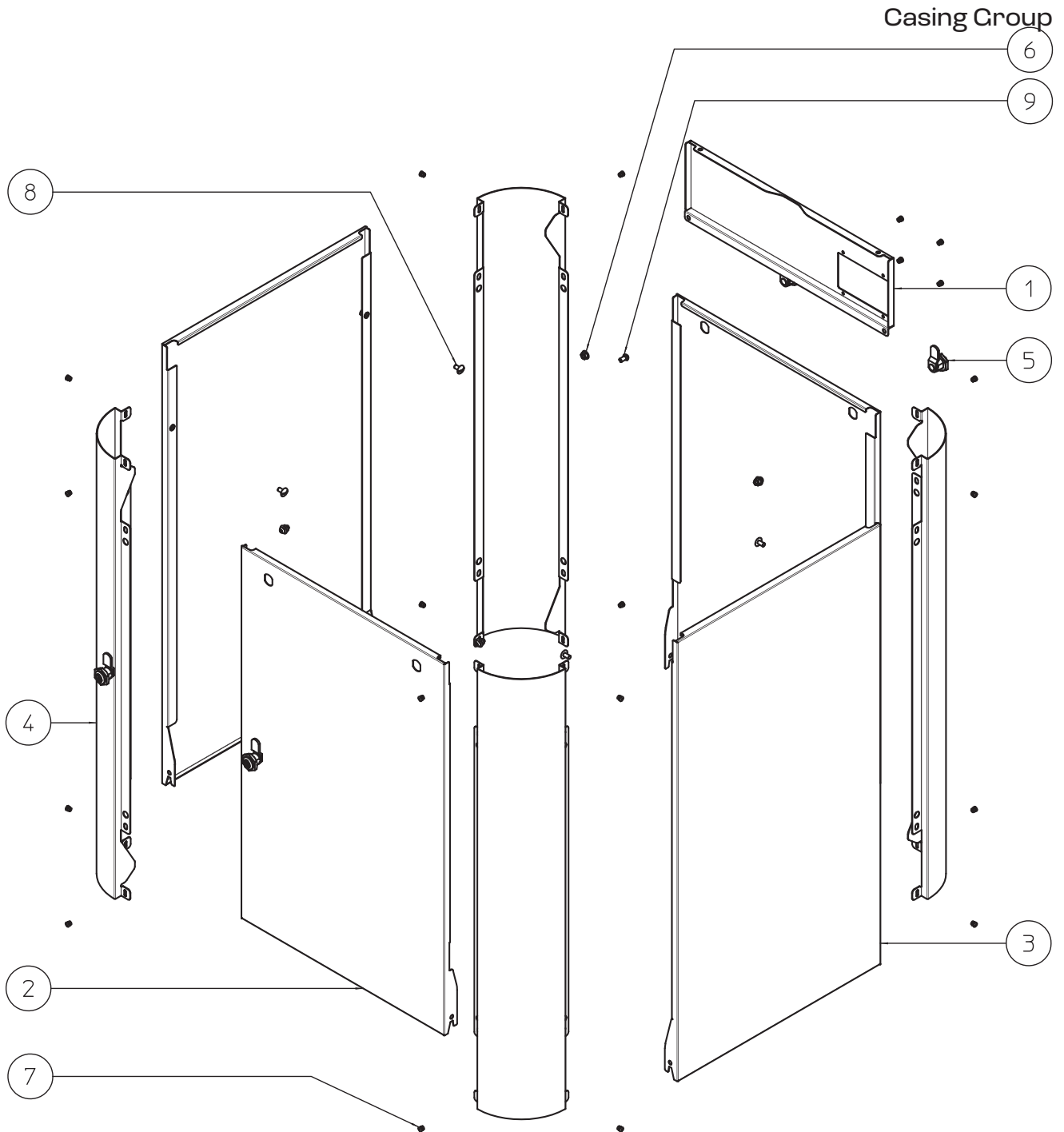
ITEM	MODEL
47581	BE-IT-0030A

Frame Group



PARTS BREAKDOWN

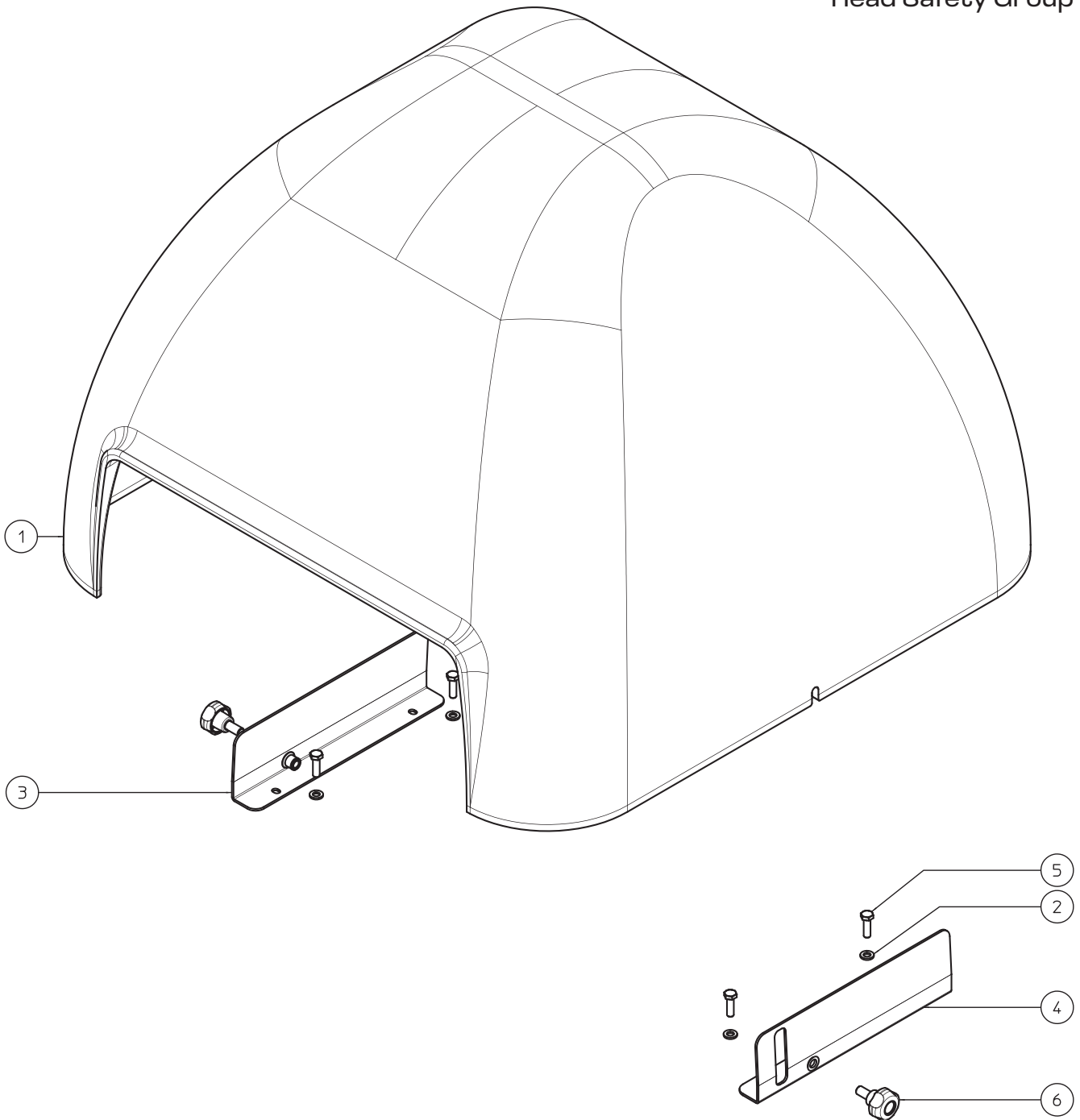
ITEM	MODEL
47581	BE-IT-0030A



PARTS BREAKDOWN

ITEM	MODEL
47581	BE-IT-0030A

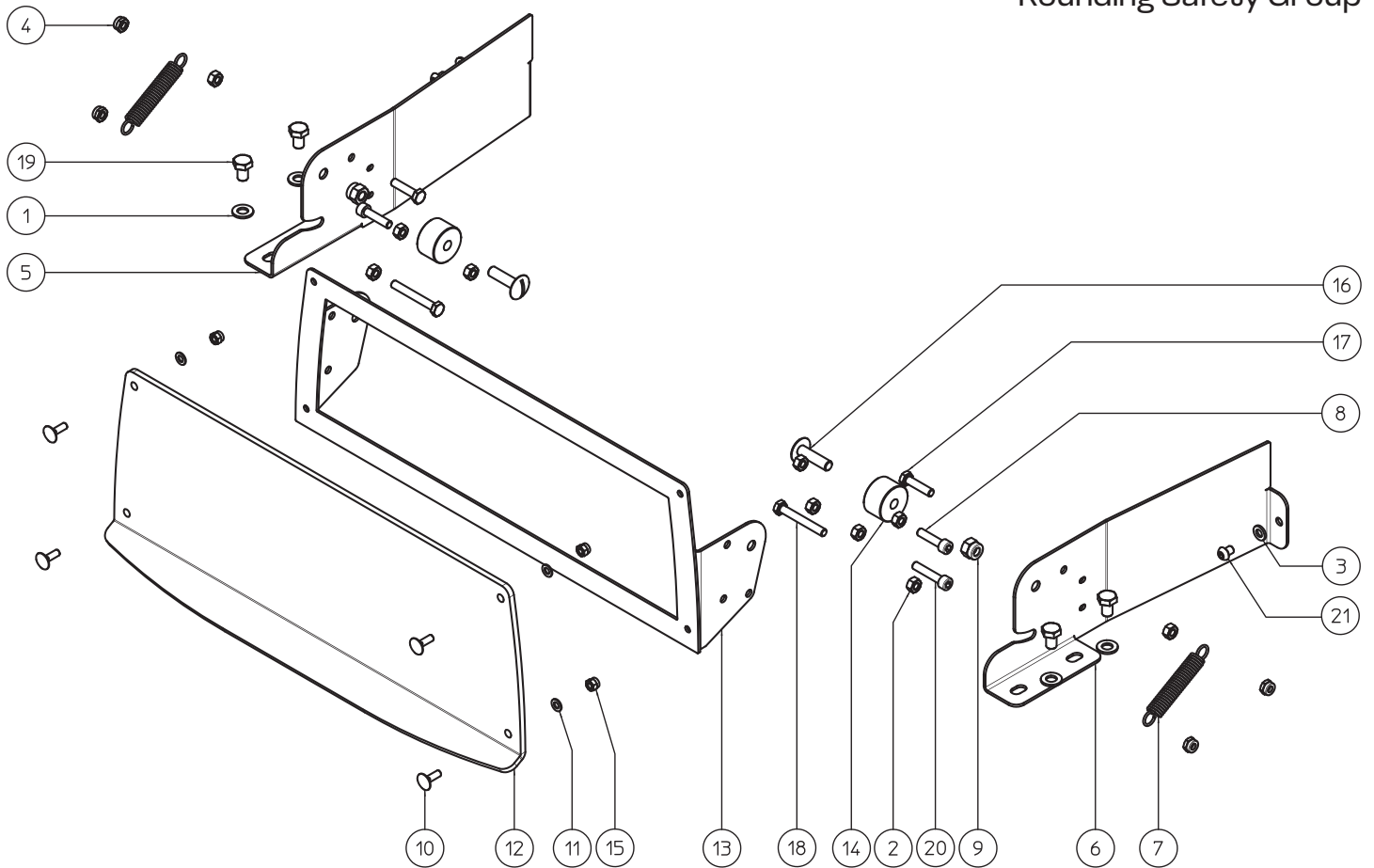
Head Safety Group



PARTS BREAKDOWN

ITEM	MODEL
47581	BE-IT-0030A

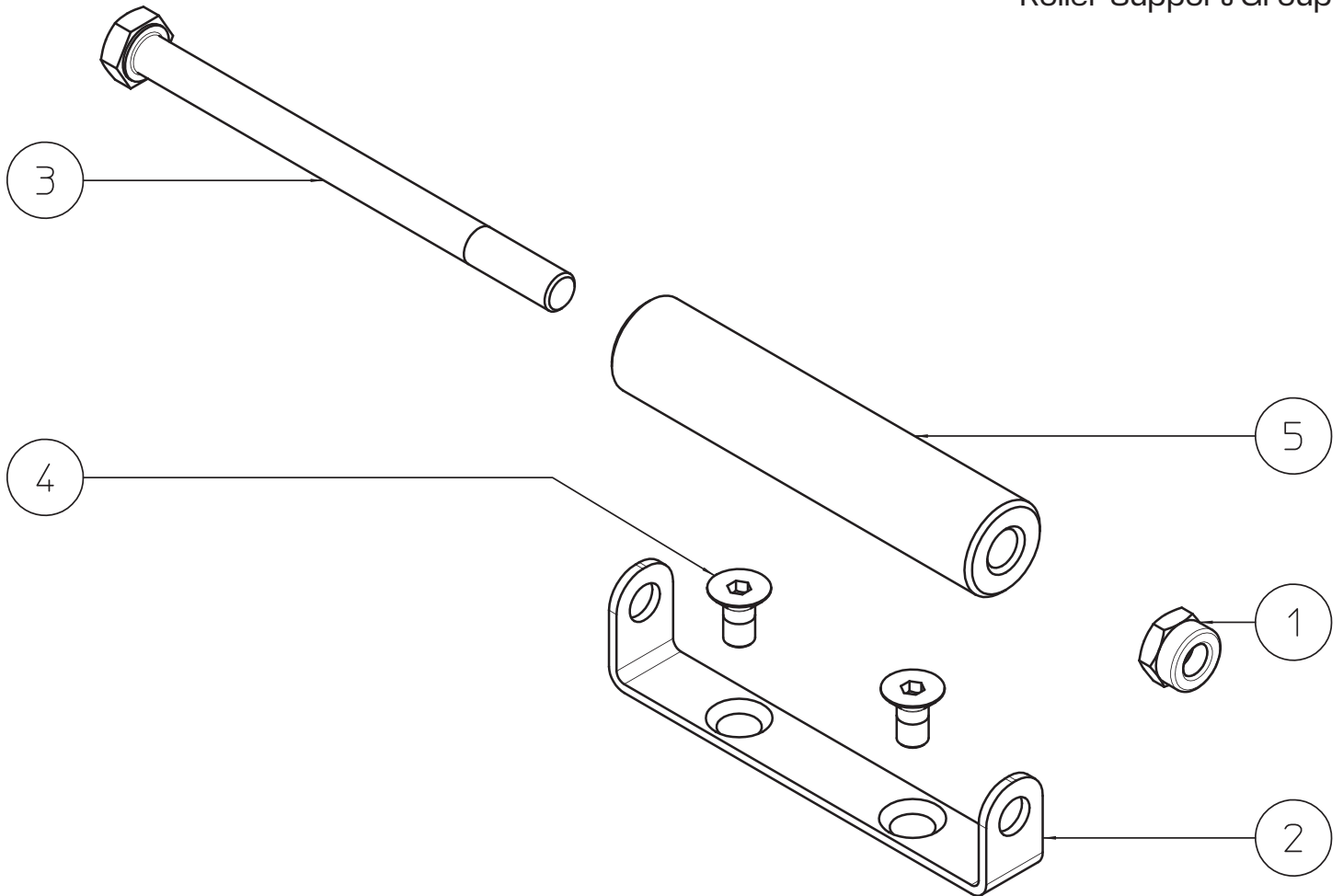
Rounding Safety Group



PARTS BREAKDOWN

ITEM	MODEL
47581	BE-IT-0030A

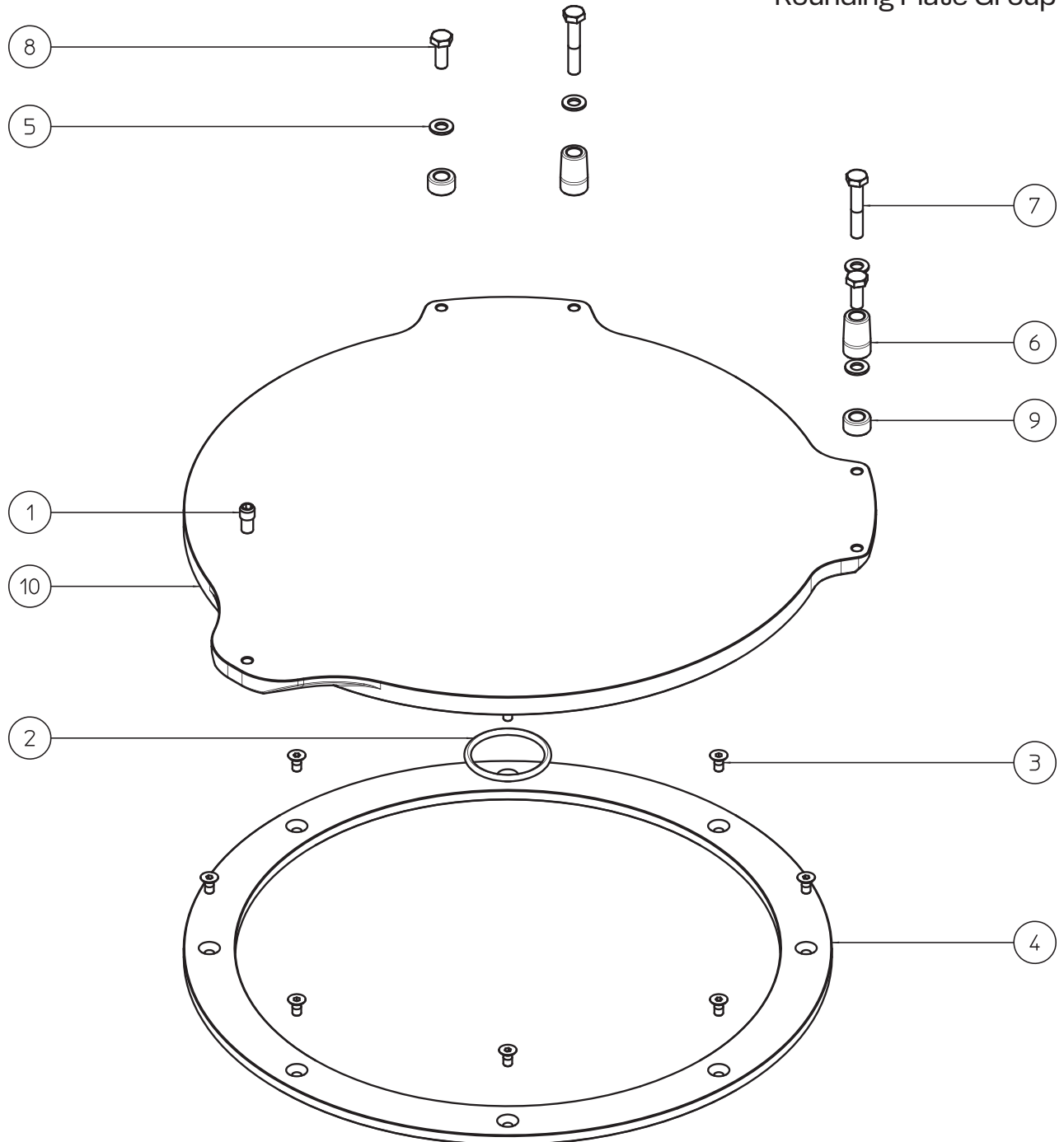
Roller Support Group



PARTS BREAKDOWN

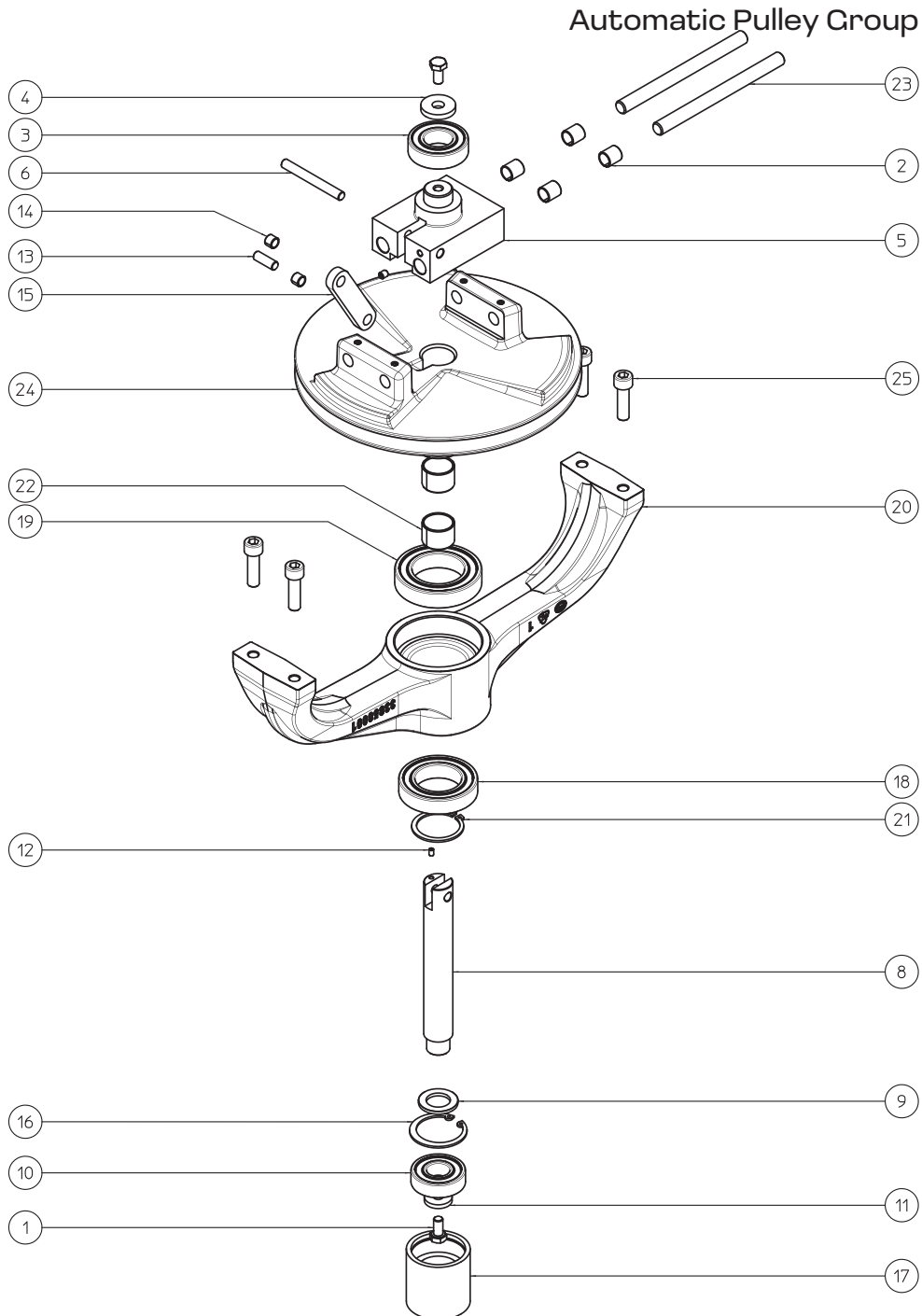
ITEM	MODEL
47581	BE-IT-0030A

Rounding Plate Group



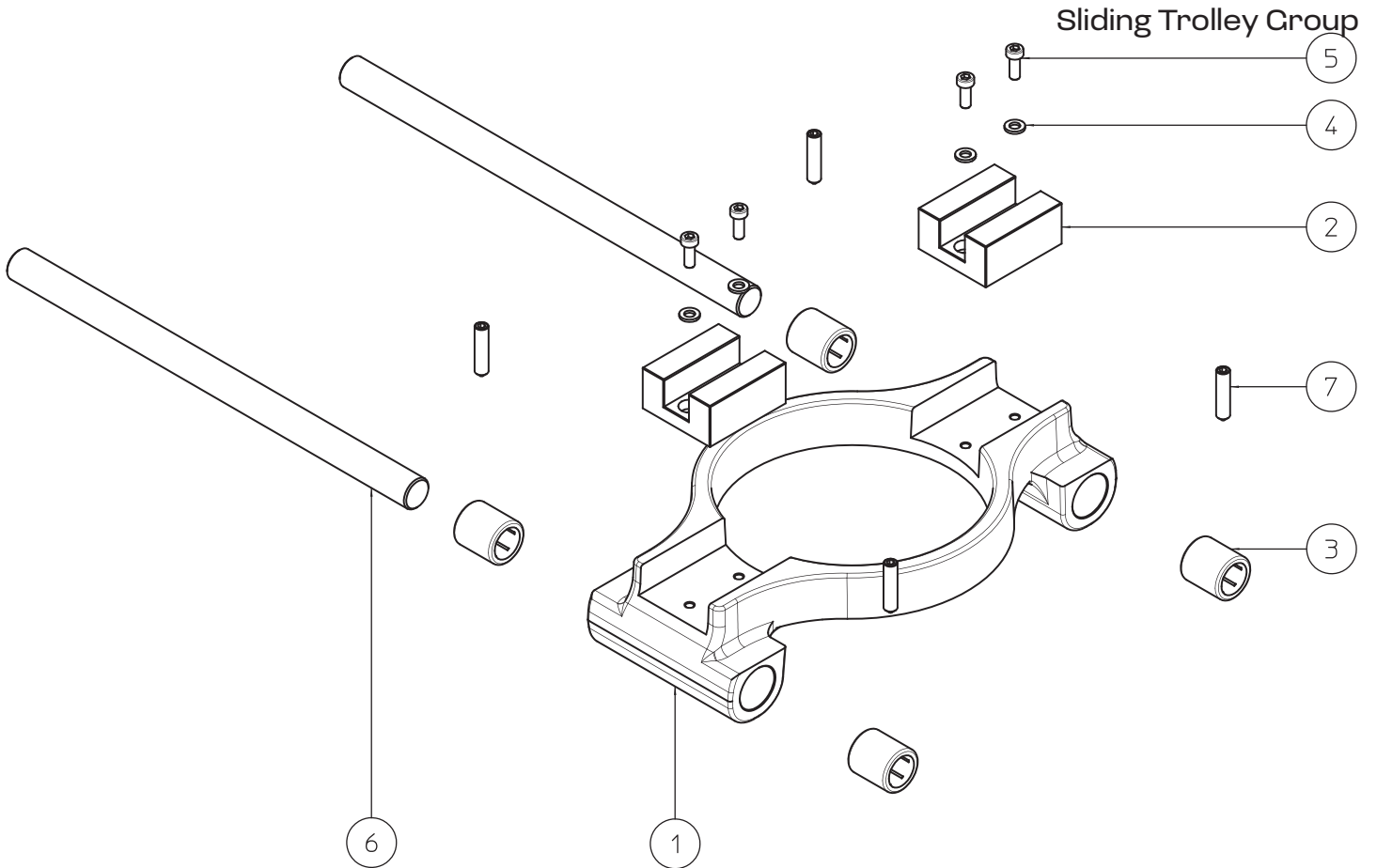
PARTS BREAKDOWN

ITEM	MODEL
47581	BE-IT-0030A



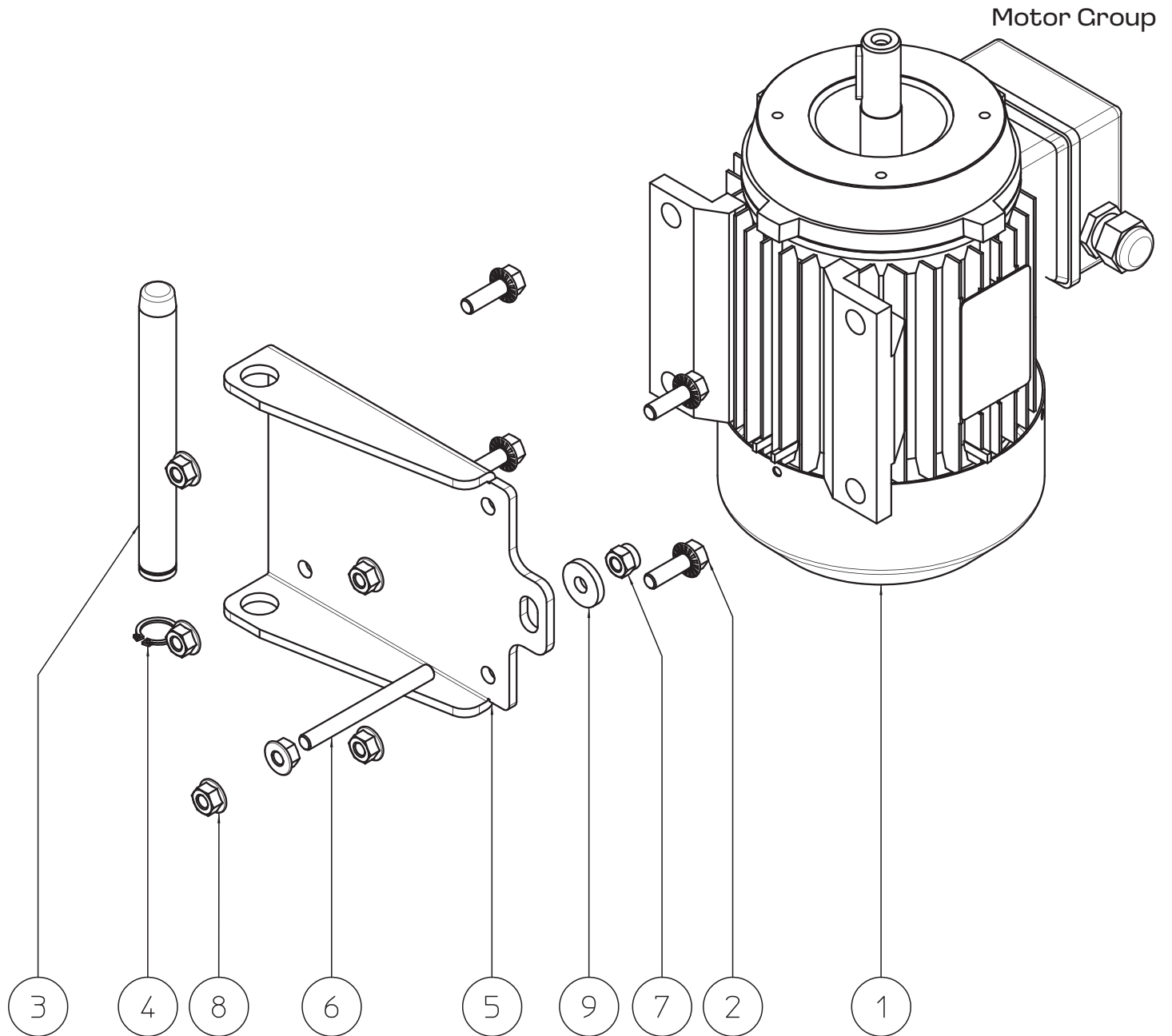
PARTS BREAKDOWN

ITEM	MODEL
47581	BE-IT-0030A



PARTS BREAKDOWN

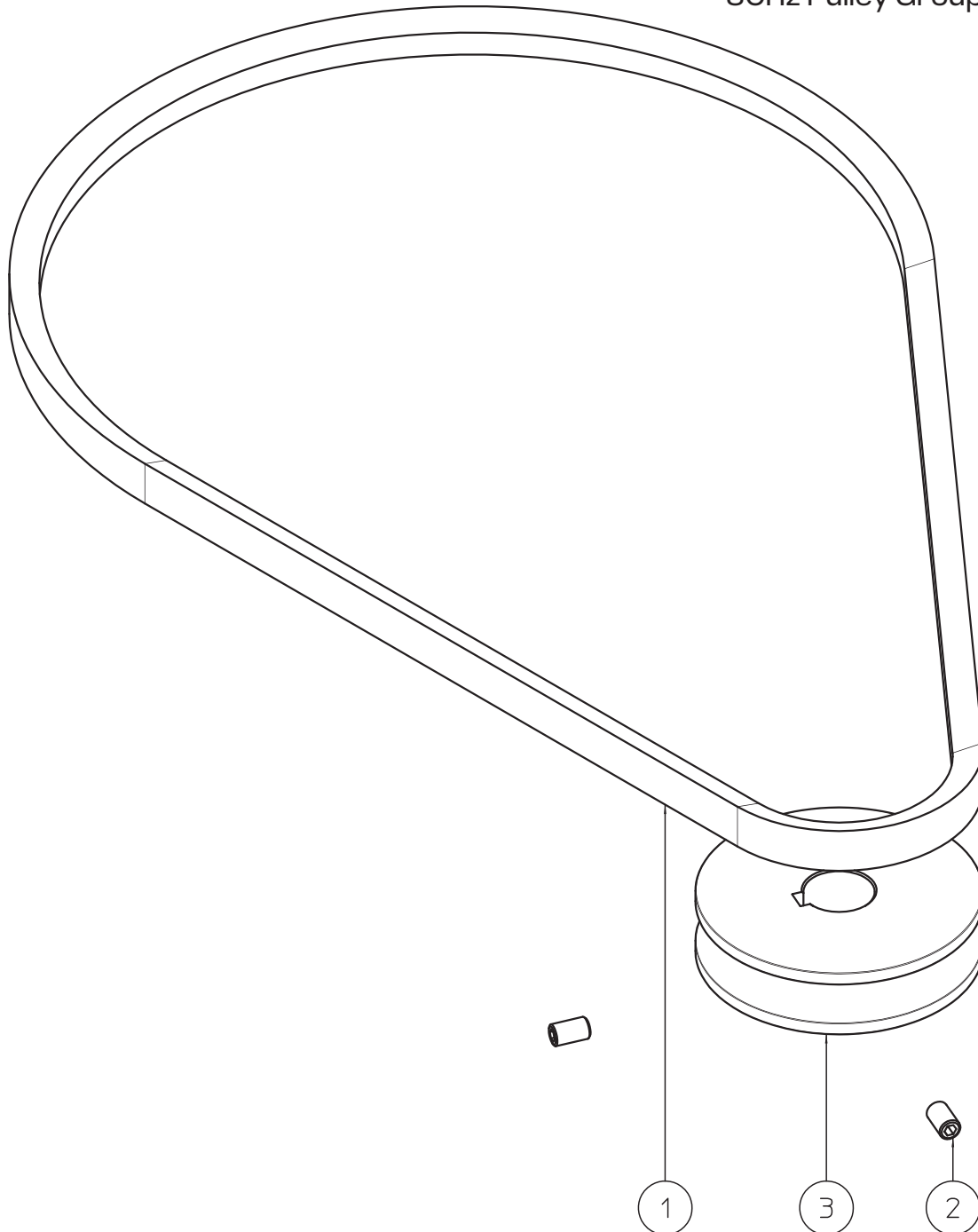
ITEM	MODEL
47581	BE-IT-0030A



PARTS BREAKDOWN

ITEM	MODEL
47581	BE-IT-0030A

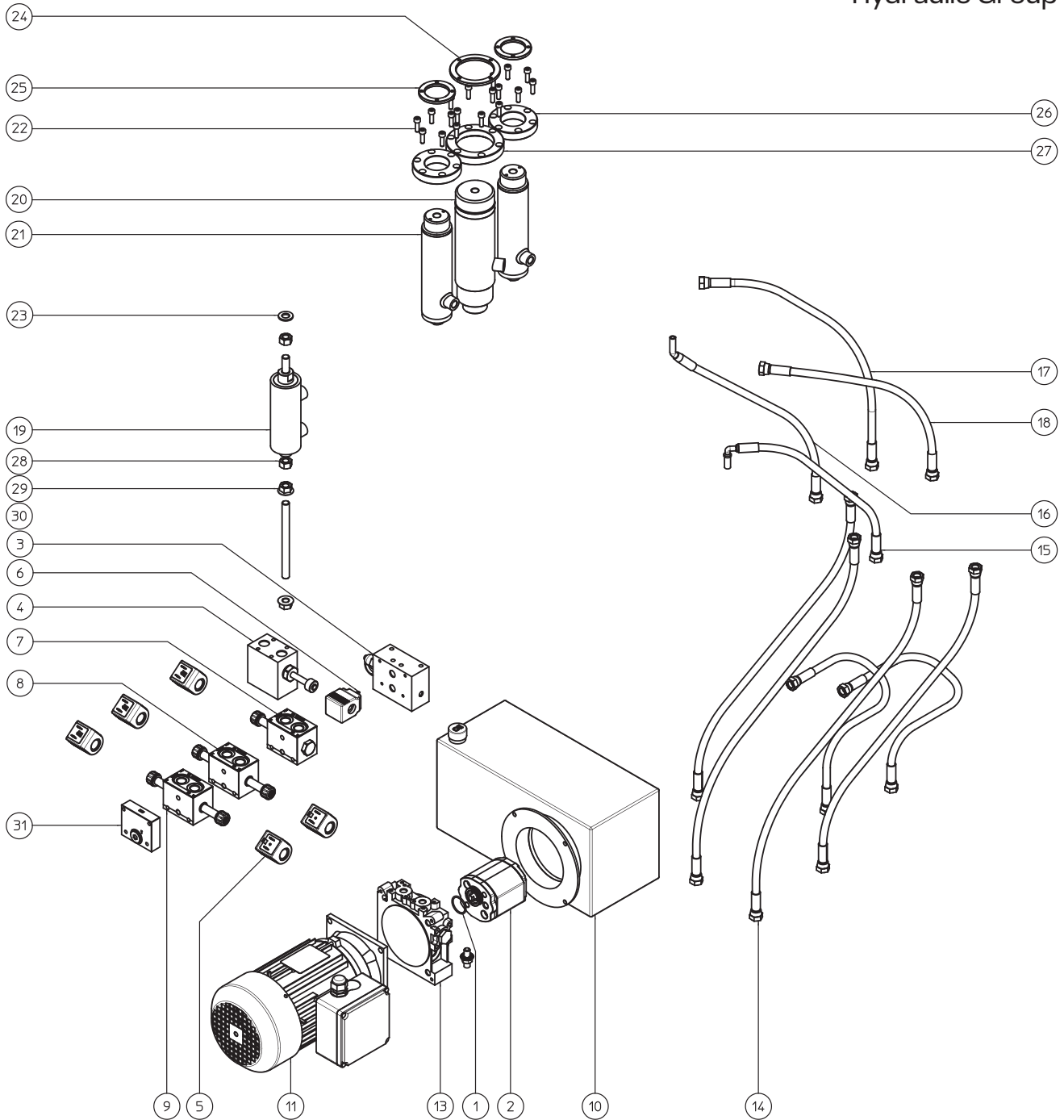
60Hz Pulley Group



PARTS BREAKDOWN

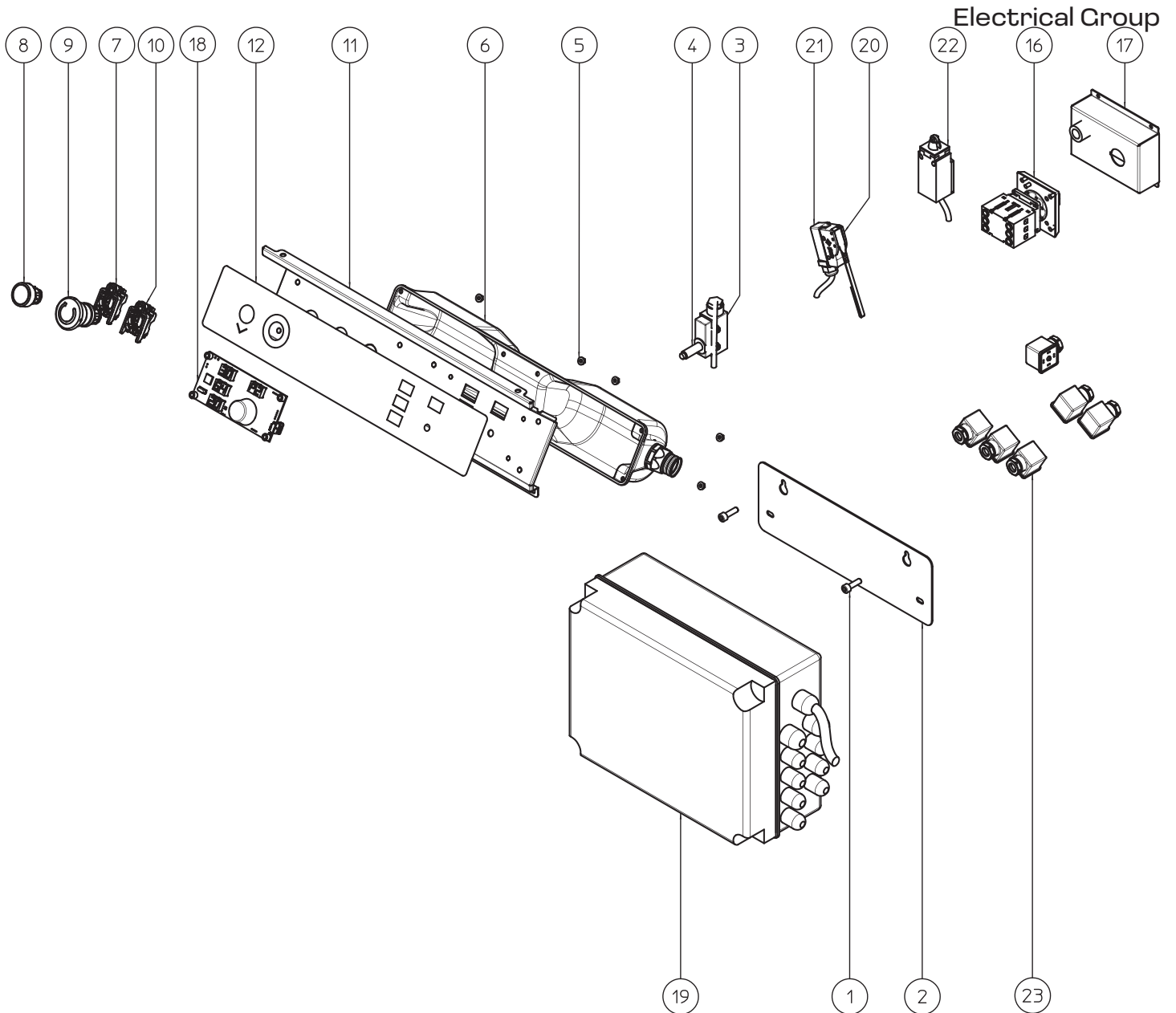
ITEM	MODEL
47581	BE-IT-0030A

Hydraulic Group



PARTS BREAKDOWN

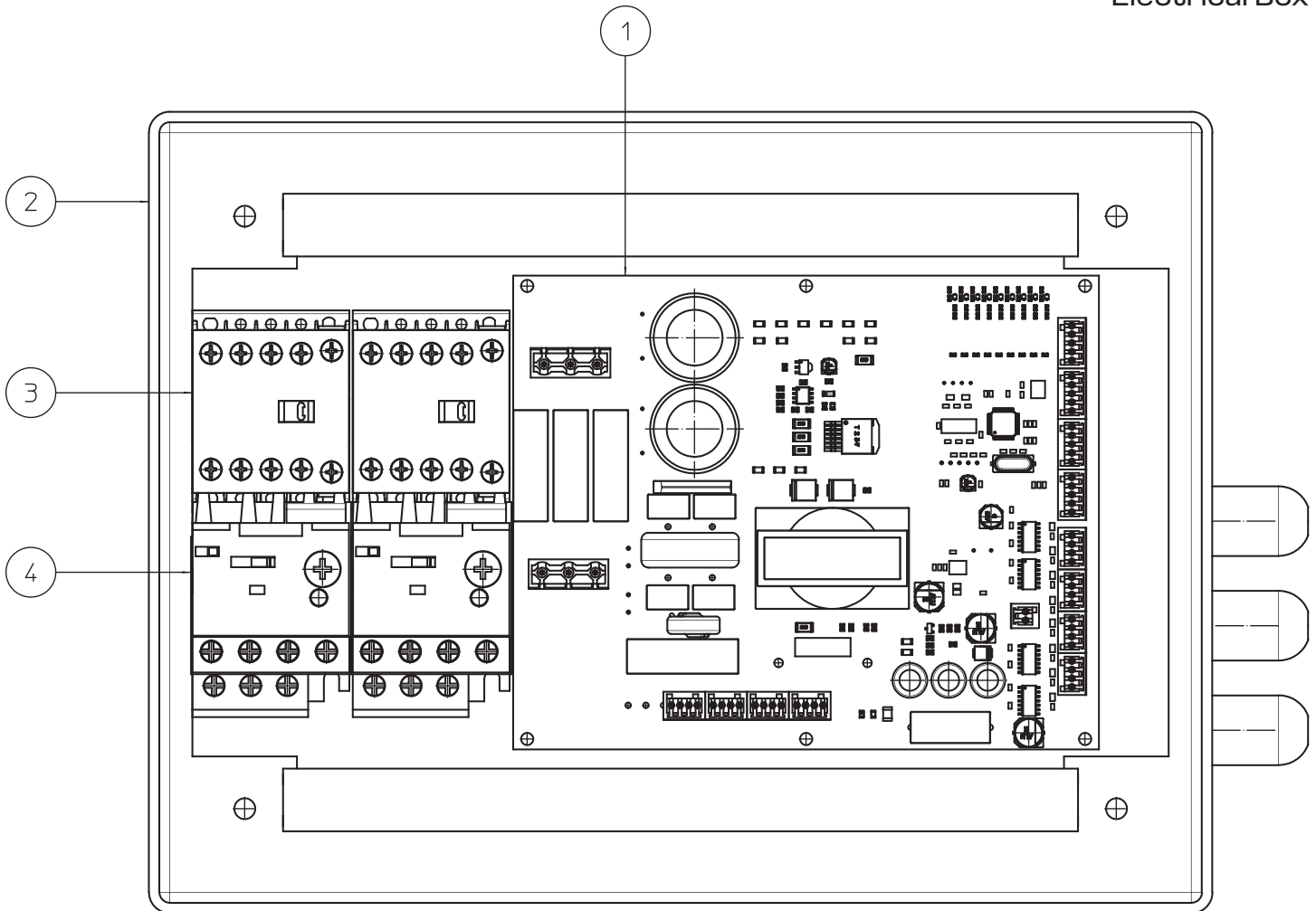
ITEM	MODEL
47581	BE-IT-0030A



PARTS BREAKDOWN

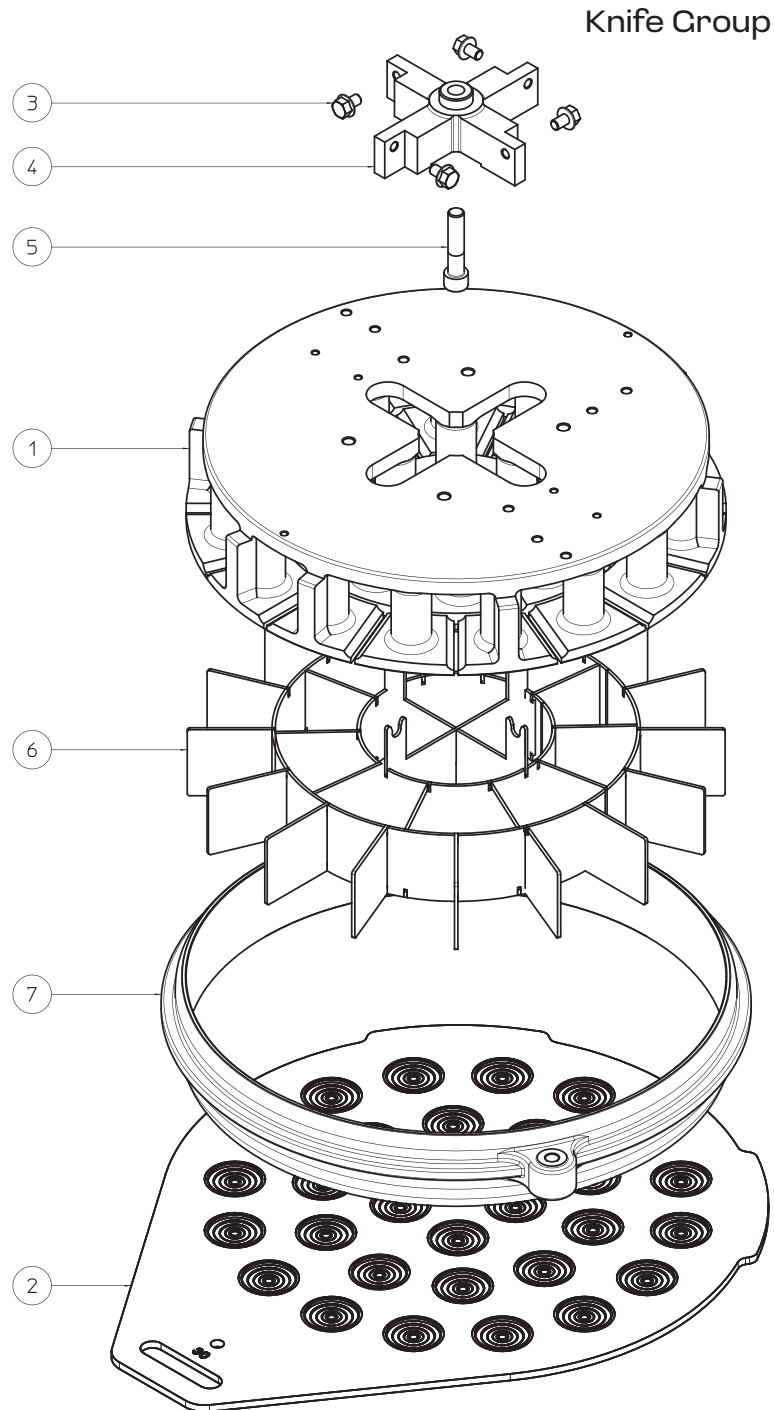
ITEM	MODEL
47581	BE-IT-0030A

Electrical Box



PARTS BREAKDOWN

ITEM	MODEL
47581	BE-IT-0030A



PARTS BREAKDOWN

ITEM	MODEL
47581	BE-IT-0030A

Knife Support Group

Item No.	Description	Position	Item No.	Description	Position	Item No.	Description	Position
AM183	Nut M6 Inox for 47581	1	AM192	Automatic Head Support for 47581	10	AM201	Screw TCEI M6x30 Zinc. for 47581	19
AM184	Latch Insert KU 15 15 for 47581	2	AM193	Key 8x7x30mm for 47581	11	AM202	Head Stop for 47581	20
AM185	Screw STEI 6x50 Inox for 47581	3	AM194	Screw TCEI M10x30 Zinc. for 47581	12	AM203	SX Support for 47581	21
AM186	Selflocking Nut M6 Inox. for 47581	4	AM195	Screw STEI M6x6 for 47581	13	AM204	DX Support for 47581	22
AM187	Screw TE M6x25 Inox for 47581	5	AM196	Head Pin D.15x38 for 47581	14	AM205	Latch Insert KU 16 15 for 47581	23
AM188	Knob with Pusher M20x1.5 for 47581	6	AM197	Washer D.6 for 47581	15	AM206	Latch D.10x20 for 47581	24
AM189	Washer D.20 SP.4 for 47581	7	AM198	Nut M6 Zinc. for 47581	16	AM207	Knife Support Group for 47581	
AM190	Handle for 47581	8	AM199	Gas Spring D.6 C=100 for 47581	17			
AM191	Screw TCEI M8x30 Zinc. for 47581	9	AM200	Screw TCEI M6x20 Zinc. for 47581	18			

Operate Ring Group

Item No.	Description	Position	Item No.	Description	Position	Item No.	Description	Position
AM208	Seeger Ring D.16 for 47581	1	AM211	Screw STEI M610 for 47581	8	AM216	Pin Ring Lever for 47581	15
AM209	Lift Ring Rod for 47581	2	AM185	Screw STEI M6x50 Inox for 47581	9	AM217	Plug D.8x30 for 47581	16
AM205	Latch Insert KU 16 15 for 47581	3	AM212	Sliding Shoe 12x12x45 for 47581	10	AM218	Screw TE M8x35 Inox for 47581	17
AM183	Nut M6 Inox for 47581	4	AM213	Lever Lift Ring for 47581	11	AM219	Selflocking Nut M8 Inox for 47581	18
AM210	Nut M8 Inox for 47581	5	AM214	Spring for 47581	12	AM220	Washer D.8 Inox for 47581	19
AM186	Selflocking Nut M6 Inox for 47581	7	AM215	Pin Lever Lift Ring for 47581	13	AM221	Operating Ring Group for 47581	

Head Plate Group

Item No.	Description	Position	Item No.	Description	Position	Item No.	Description	Position
AM210	Nut M8 Inox for 47581	1	AM224	Latch Insert KU 20 15 for 47581	5	AM228	Rod Guide D.16x180 for 47581	9
AM220	Washer D.8 Inox for 47581	2	AM225	Screw TCEI M10x45 Inox for 47581	6	AM229	Screw TCEI M10x45 Zinc for 47581	10
AM222	Screw TE M8x30 Inox for 47581	3	AM226	Screw TCEI M8x20 Zinc for 47581	7	AM230	Head Plate Group for 47581	
AM223	Latch Insert KU 40 15 for 47581	4	AM227	Head Plate for 47581	8			

PARTS BREAKDOWN

ITEM	MODEL
47581	BE-IT-0030A

Frame Group

Item No.	Description	Position	Item No.	Description	Position	Item No.	Description	Position
AM231	Nut M16 Zinc for 47581	1	AM235	Wheel D.80x30 Fix for 47581	5	AM239	Nut M8 Zinc for 47581	9
AM232	Washer D.16 Zinc for 47581	2	AM236	Automatic Head Plate for 47581	6	AM240	Screw TCEI M12x45 Zinc for 47581	10
AM233	Non-Slip Foot for 47581	3	AM237	Frame for 47581	7	AM241	Frame Group for 47581	
AM234	Screw TE M8x16 Zinc for 47581	4	AM238	Fixing Bracket for 47581	8			

Casing Group

Item No.	Description	Position	Item No.	Description	Position	Item No.	Description	Position
AM242	Power Supply Panel for 47581	1	AM246	Lock for 47581	5	AM250	Screw TCBEI M6x12 Zinc for 47581	9
AM243	Removable Panel for 47581	2	AM247	Nut M6 Zinc for 47581	6	AM251	Casing Group for 47581	
AM244	Lateral Panel for 47581	3	AM248	Aluminum Rivet for 47581	7			
AM245	Angular Panel for 47581	4	AM249	Screw Poeliers M6x12 Zinc for 47581	8			

Head Safety Group

Item No.	Description	Position	Item No.	Description	Position	Item No.	Description	Position
AM252	Head Cover for 47581	1	AM254	DX Bracket for 47581	4	AM257	Head Safety Group for 47581	
AM197	Washer D.16 Zinc for 47581	2	AM255	Screw TE M6x20 Zinc for 47581	5			
AM253	SX Bracket for 47581	3	AM256	Handwheel M8x16 for 47581	6			

Rounding Safety Group

Item No.	Description	Position	Item No.	Description	Position	Item No.	Description	Position
AM220	Washer D.8 Inox for 47581	1	AM219	Selflocking Nut M8 Inox for 47581	9	AM187	Screw TE M6x25 Inox for 47581	17
AM183	Nut M6 Inox for 47581	2	AM262	Washer TTQ M5x16 Inox for 47581	10	AM269	Screw TE M6x45 Inox for 47581	18
AM197	Washer D.6 Zinc for 47581	3	AM263	Washer D.5 Inox for 47581	11	AM270	Screw TE M8x12 Inox for 47581	19
AM186	Selflocking Nut M6 Inox for 47581	4	AM264	Safety Protection Carter for 47581	12	AM271	Screw TCEI M6x30 Inox for 47581	20
AM258	SX Bracket for 47581	5	AM265	Frame Protection Carter for 47581	13	AM272	Screw TCBEI M6x8 Inox for 47581	21
AM259	DX Bracket for 47581	6	AM266	Washer for 47581	14	AM273	Rounding Safety Group for 47581	
AM260	Spring for 47581	7	AM267	Selflocking Nut M5 Inox for 47581	15			
AM261	Screw TCEI M6x25 Inox for 47581	8	AM268	Screw Poeliers M8x30 Inox for 47581	16			

PARTS BREAKDOWN

ITEM	MODEL
47581	BE-IT-0030A

Roller Support Group

Item No.	Description	Position	Item No.	Description	Position	Item No.	Description	Position
AM274	Selflocking Nut M8 Inox for 47581	1	AM276	Screw TE M8x110 Inox for 47581	3	AM278	Roller for 47581	5
AM275	Roller Support for 47581	2	AM277	Screw TSPEI M6x12 Inox for 47581	4	AM279	Roller Support Group for 47581	

Rounding Plate Group

Item No.	Description	Position	Item No.	Description	Position	Item No.	Description	Position
AM280	Pin for 47581	1	AM220	Washer D.8 Inox for 47581	5	AM287	Stopper for 47581	9
AM281	Seal OR 6200 for 47581	2	AM284	Stopper for 47581	6	AM288	Rounding Plate for 47581	10
AM282	Screw TSPEI M6x12 Zinc for 47581	3	AM285	Screw TE M8x45 Inox for 47581	7	AM289	Rounding Plate Group for 47581	
AM283	Ring for 47581	4	AM286	Screw TE M8x20 Inox for 47581	8			

Automatic Pulley Group

Item No.	Description	Position	Item No.	Description	Position	Item No.	Description	Position
AM290	Screw TE M8x16 Zinc for 47581	1	AM298	Bearing NTN 6204 2RS for 47581	10	AM307	Bearing NTN 6009 2RS for 47581	19
AM291	Latch Insert KU 12 15 for 47581	2	AM299	Washer D.8x24 SP. 4 for 47581	11	AM308	Flange for Pulley for 47581	20
AM292	Bearing NTN 6205 2RS for 47581	3	AM300	Screw STEI M4x6 for 47581	12	AM309	Seeger Ring D.40 for 47581	21
AM293	Washer D.10x30 SP. 5 Zinc for 47581	4	AM301	Lower Pin D.8x23 for 47581	13	AM310	Latch Insert KU 25 20 for 47581	22
AM294	Cam Scrolling Flange for 47581	5	AM302	Latch Insert KU 08 08 for 47581	14	AM311	Pin Holder D.12x150 for 47581	23
AM295	Top Pin D.8x70 for 47581	6	AM303	Connecting Rod for 47581	15	AM312	Pulley for 47581	24
AM195	Screw STEI M6x6 for 47581	7	AM304	Seeger Ring D.47 for 47581	16	AM313	Screw TCEI M10x35 Zinc for 47581	25
AM296	Cam Control Pin for 47581	8	AM305	Cylinder Flange for 47581	17	AM314	Automatic Pulley Group for 47581	
AM297	Washer for 47581	9	AM306	Bearing NTN 6008 2RS for 47581	18			

Sliding Trolley Group

Item No.	Description	Position	Item No.	Description	Position	Item No.	Description	Position
AM315	Sliding Trolley for 47581	1	AM197	Washer D.6 Zinc for 47581	4	AM320	Screw STEI M8x35 for 47581	7
AM316	Shoe Guide for 47581	2	AM318	Screw TCEI M6x16 Zinc for 47581	5	AM321	Sliding Trolley Group for 47581	
AM317	Sliding Sleeve with Spheres for 47581	3	AM319	Pin Holder for 47581	6			

PARTS BREAKDOWN

ITEM	MODEL
47581	BE-IT-0030A

Motor Group

Item No.	Description	Position	Item No.	Description	Position	Item No.	Description	Position
AM322	Motor KW 0,55 6 POLI B3 220/380/60 UL/CSA Three Phases for 47581	1	AM326	Motor Fixing Shelf for 47581	5	AM299	Washer D.8x24 SP. 4 for 47581	9
AM323	Screw TE M8x25 Zinc for 47581	2	AM327	Threaded Bar M8x85 Zinc for 47581	6	AM329	Motor Group for 47581	
AM324	Motor Pin for 47581	3	AM328	Nut M8 Zinc for 47581	7			
AM325	Seeger Ring D.18 for 47581	4	AM239	Nut M8 Zinc for 47581	8			

60Hz Pulley Group

Item No.	Description	Position	Item No.	Description	Position
AM330	Belt A37 1/2 for 47581	1	AM331	Pulley 60x1A (60 Hz) for 47581	3
AM211	Screw STEI M6x10 for 47581	2	AM332	60Hz Pulley Group for 47581	

Rounding Plate Group

Item No.	Description	Position	Item No.	Description	Position	Item No.	Description	Position
AM280	Pin for 47581	1	AM220	Washer D.8 Inox for 47581	5	AM287	Stopper for 47581	9
AM281	Seal OR 6200 for 47581	2	AM284	Stopper for 47581	6	AM288	Rounding Plate for 47581	10
AM282	Screw TSPEI M6x12 Zinc for 47581	3	AM285	Screw TE M8x45 Inox for 47581	7	AM289	Rounding Plate Group for 47581	
AM283	Ring for 47581	4	AM286	Screw TE M8x20 Inox for 47581	8			

PARTS BREAKDOWN

ITEM	MODEL
47581	BE-IT-0030A

Hydraulic Group

Item No.	Description	Position	Item No.	Description	Position	Item No.	Description	Position
AM333	OR Seal 3106 for 47581	1	AM343	Motor Three Phases UL 230/3/60 for 47581	11	AM200	Screw TCEI M6x20 Zinc for 47581	22
AM334	Pump Mod. K1P D 15 G P199 for 47581	2	AM344	Hydraulic Body for 47581	13	AM353	Washer D.12 Zinc for 47581	23
AM335	Interface Block for 47581	3	AM345	Pipe R7 1/4" FD+FD L=700 for 47581	14	AM354	Locking Ring Nut for the Cutting Cylinder for 47581	24
AM336	Knife Block for 47581	4	AM346	Pipe R7 1/4" FD+COD. 10 90° L=450 for 47581	15	AM355	Locking Ring Nut for the Pressed Cylinder for 47581	25
AM337	Coil A0924VDC-27W M UL for 47581	5	AM347	Pipe R7 1/4" FD+COD. 10 45° L=500 for 47581	16	AM356	Flange for the Pressed Cylinder for 47581	26
AM338	Coil 24VDC-EC360 22W UL for 47581	6	AM348	Pipe R7 1/4" FD+FD L=600 for 47581	17	AM357	Flange for the Cutting Cylinder for 47581	27
AM339	Parallel Componible Distributor 3/8" for 47581	7	AM349	Pipe R7 1/4" FD+FD L=500 for 47581	18	AM358	Nut M12 Zinc for 47581	28
AM340	Parallel Componible Distributor 3/8" for 47581	8	AM350	Rounding Hydraulic Cylinder for 47581	19	AM359	Nut M12 Zinc for 47581	29
AM341	Parallel Componible Distributor 3/8" P-T Blind for 47581	9	AM351	Knife Hydraulic Cylinder for 47581	20	AM360	Rod for the Rounding Cylinder for 47581	30
AM342	Oil Tank for 47581	10	AM352	Press Hydraulic Cylinder for 47581	21	AM361	Block FU31 for 47581	31

Electrical Group

Item No.	Description	Position	Item No.	Description	Position	Item No.	Description	Position
AM200	Screw TCEI M6x20 Zinc for 47581	1	AM369	Emergency Stop Button for 47581	9	AM377	Power Supply Cover for 47581	17
AM362	Fixing Plate for 47581	2	AM370	Emergency Stop Button Support for 47581	10	AM378	PLC Board Panel for 47581	18
AM363	Switches Cover for 47581	3	AM371	Control Panel Plate for 47581	11	AM379	Painted Steel Electrical Box (UL) for 47581	19
AM364	Switches for 47581	4	AM372	Serigraphy for 47581	12	AM380	Micro Switch for 47581	20
AM365	Nut M4 Zinc for 47581	5	AM373	Washer D.4 for 47581	13	AM381	Switches Cover for 47581	21
AM366	Control Panel Rear Cover for 47581	6	AM374	Nut M4 Inox for 47581	14	AM382	Limit Micro Switch for 47581	22
AM367	Green Start Button Support for 47581	7	AM375	Screw TCBEI M4x30 Inox for 47581	15	AM383	Electrical Connector CNT 182 PG09 H12 for 47581	23
AM368	Green Start Button for 47581	8	AM376	Main Switch for 47581	16			

PARTS BREAKDOWN

ITEM	MODEL
47581	BE-IT-0030A

Electrical Box

Item No.	Description	Position	Item No.	Description	Position
AM384	PC Board for Automatic Divider Rounder for 47581	1	AM386	Thermal Overload 3.7/5.5 A - 230 V 3 PH for 47581	3
AM385	Contactora for 47581	2	AM379	Painted Steel Electrical Box (UL) for 47581	4

Knife Group

Item No.	Description	Position	Item No.	Description	Position	Item No.	Description	Position
AM395	Head 30 Div. for 47581	1	AM390	Support for 47581	4	AM392	Head Ring D.400 for 47581	7
AM396	Plate 30 Div. for 47581	2	AM391	Screw TCEI M12x50 Zinc for 47581	5	AM398	30 Div. Knife Group for 47581	
AM387	Screw TE M8x12 Zinc for 47581	3	AM397	Knife 30 Div. for 47581	6			