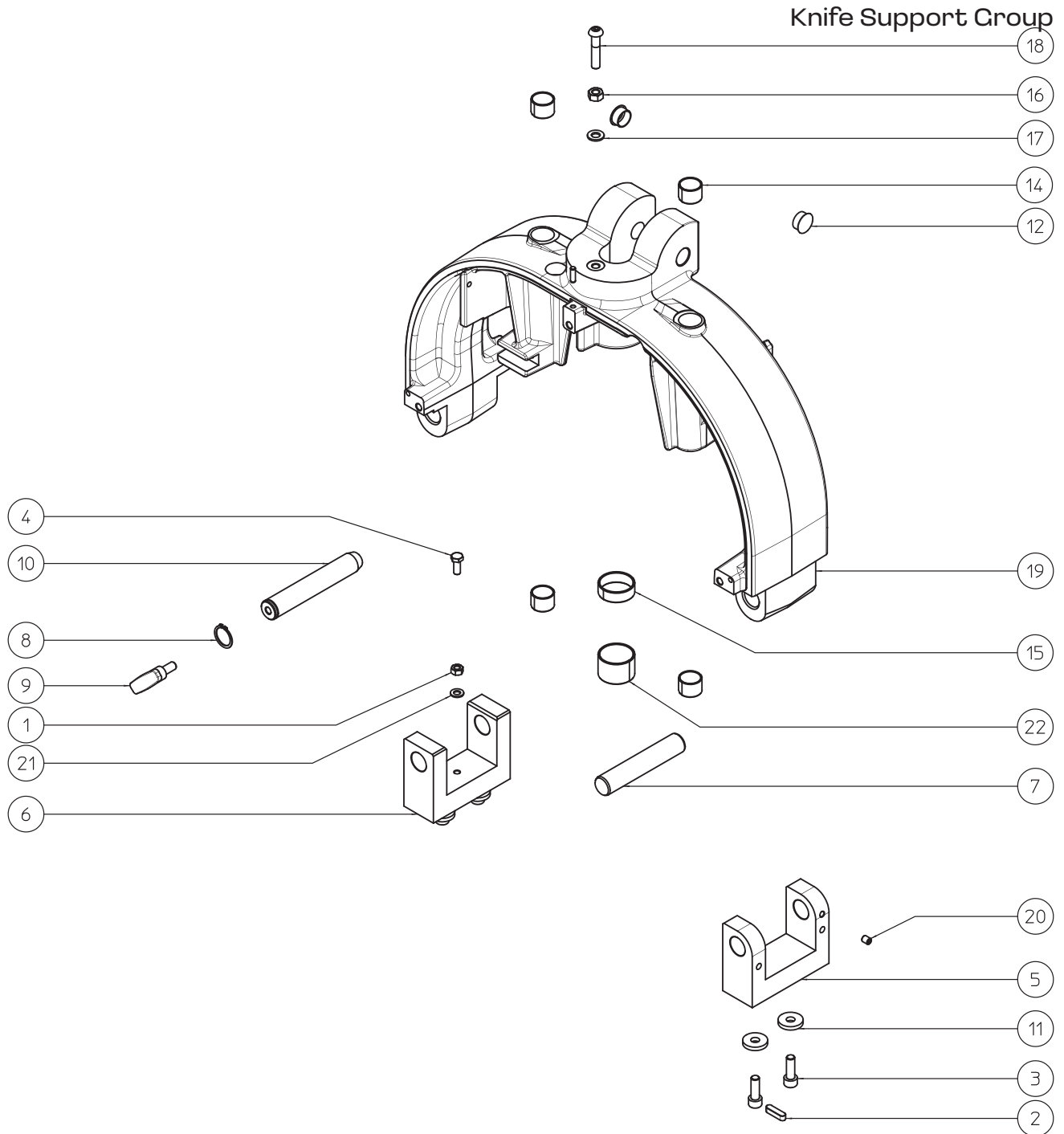


PARTS BREAKDOWN

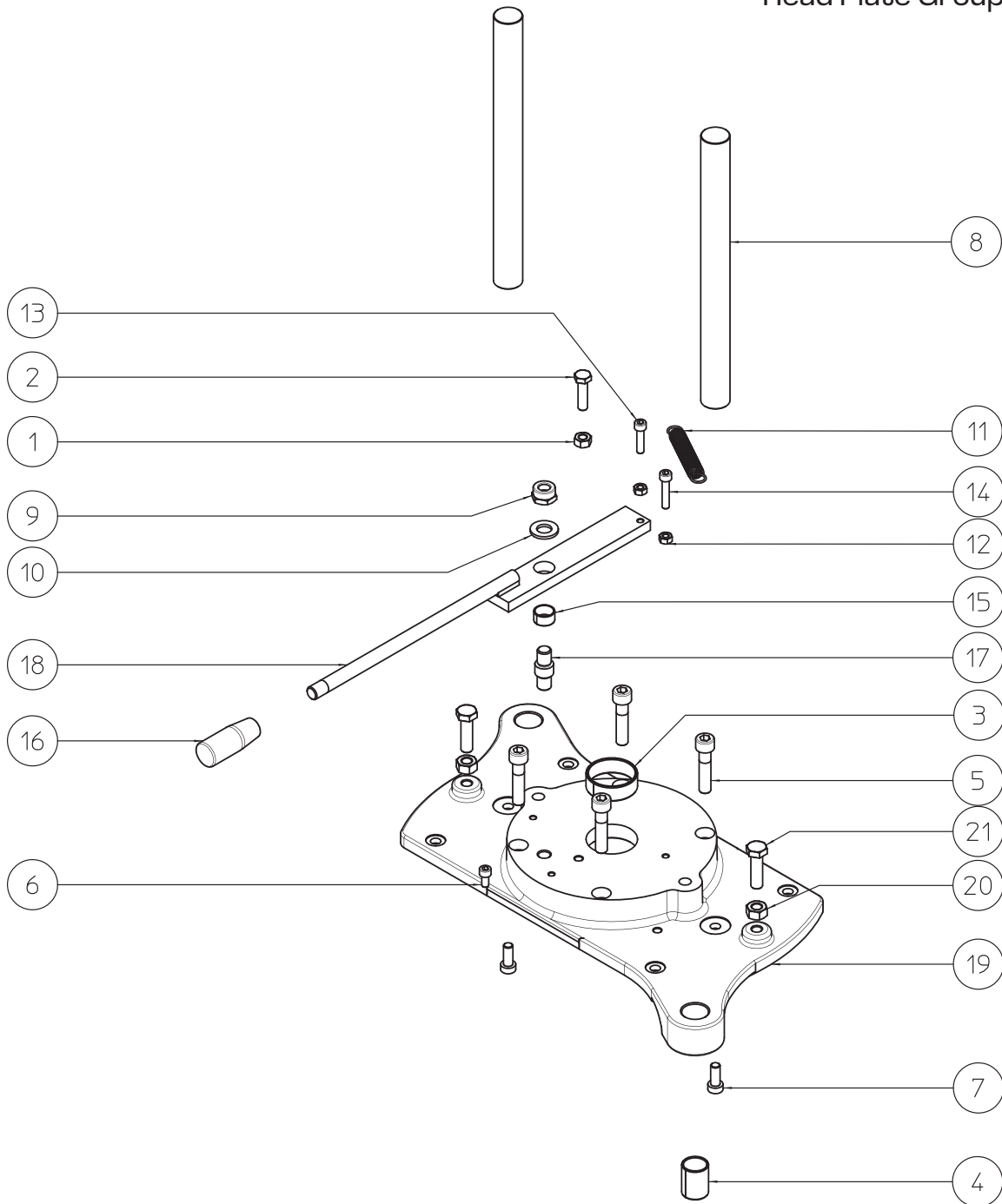
ITEM	MODEL
47583	BE-IT-0030M



PARTS BREAKDOWN

ITEM	MODEL
47583	BE-IT-0030M

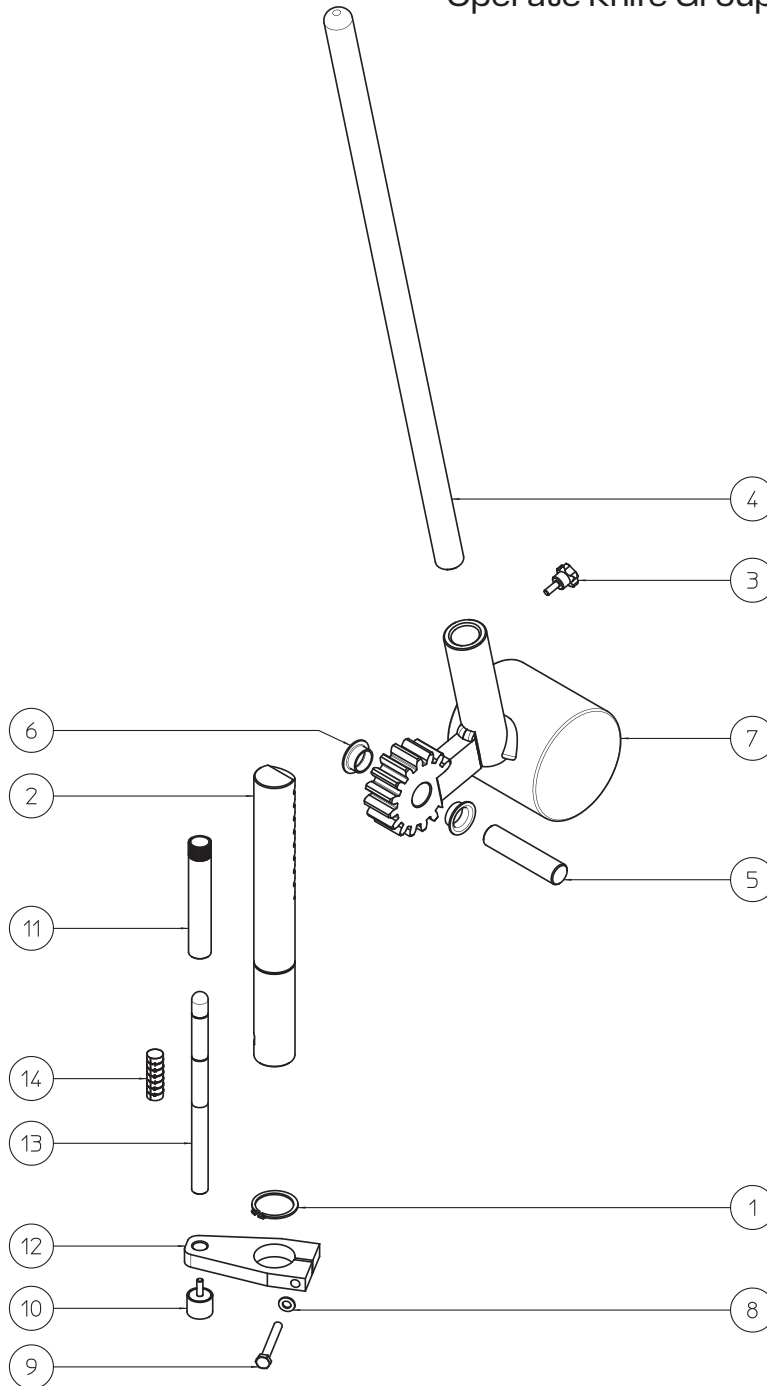
Head Plate Group



PARTS BREAKDOWN

ITEM	MODEL
47583	BE-IT-0030M

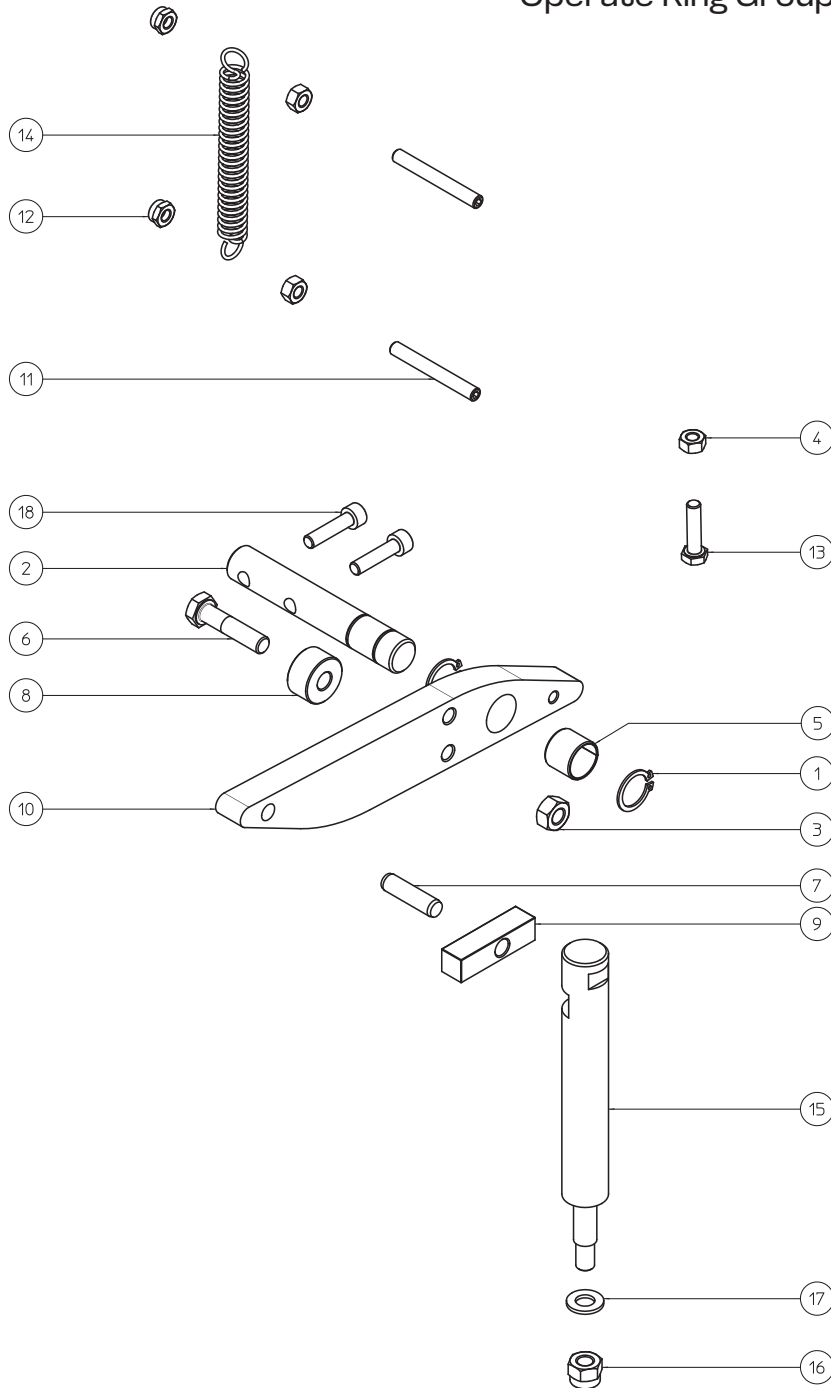
Operate Knife Group



PARTS BREAKDOWN

ITEM	MODEL
47583	BE-IT-0030M

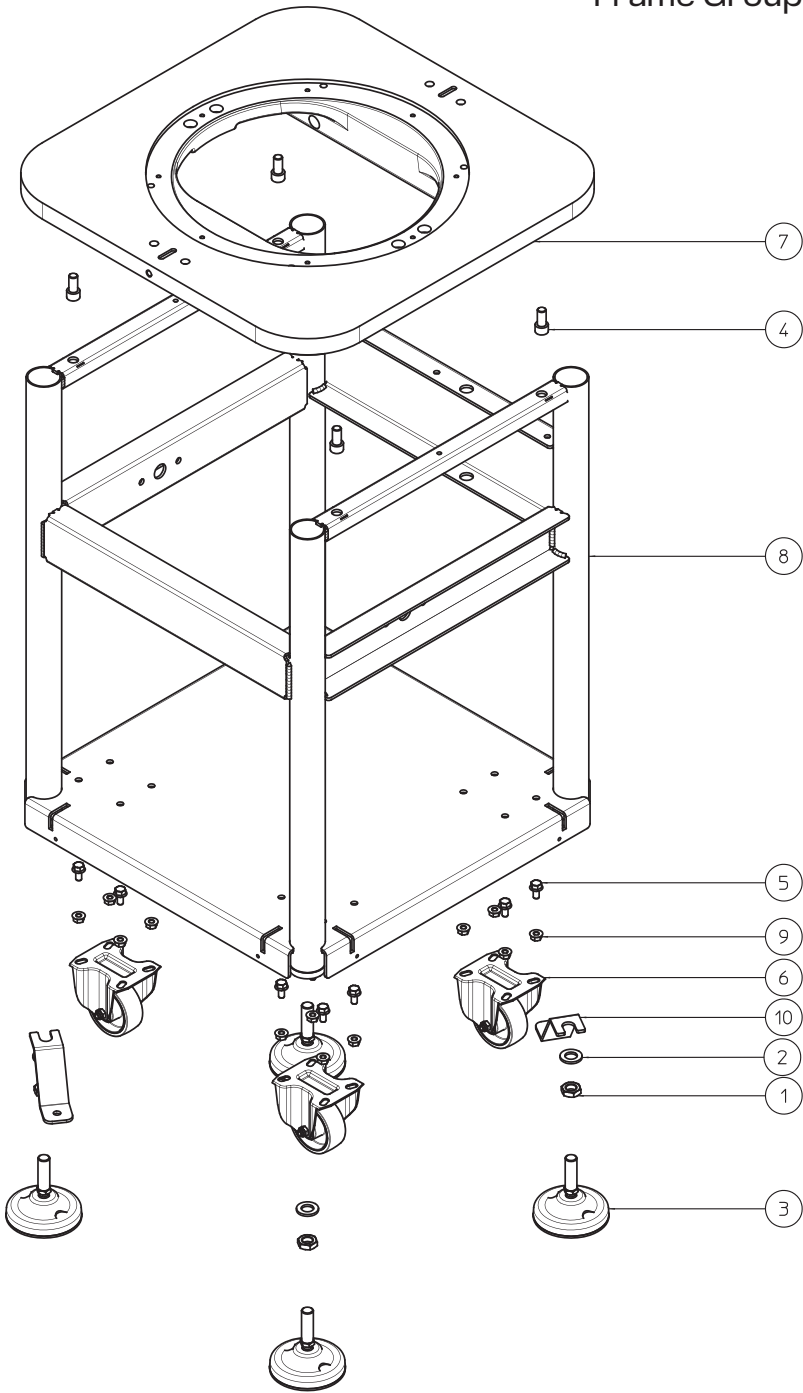
Operate Ring Group



PARTS BREAKDOWN

ITEM	MODEL
47583	BE-IT-0030M

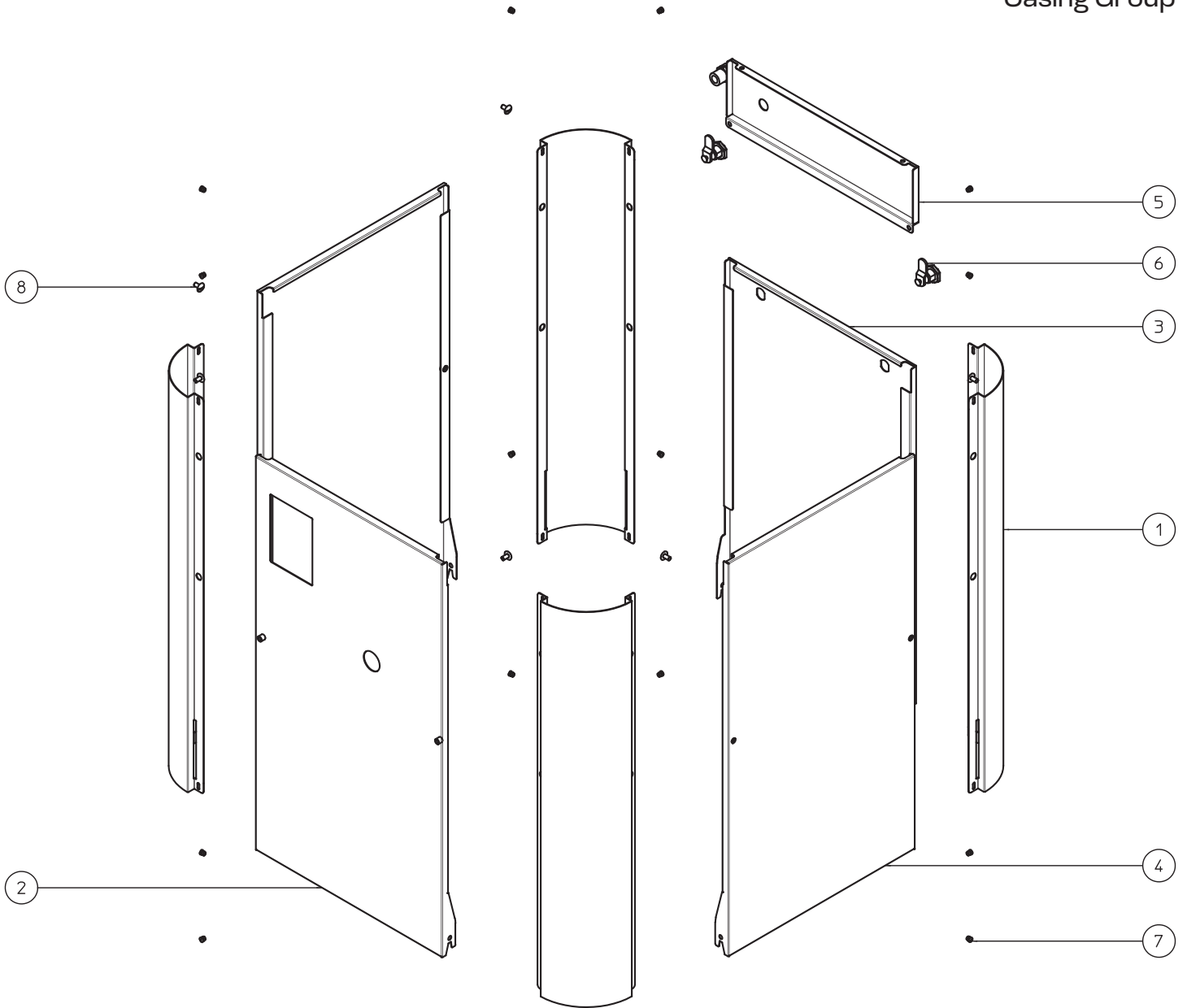
Frame Group



PARTS BREAKDOWN

ITEM	MODEL
47583	BE-IT-0030M

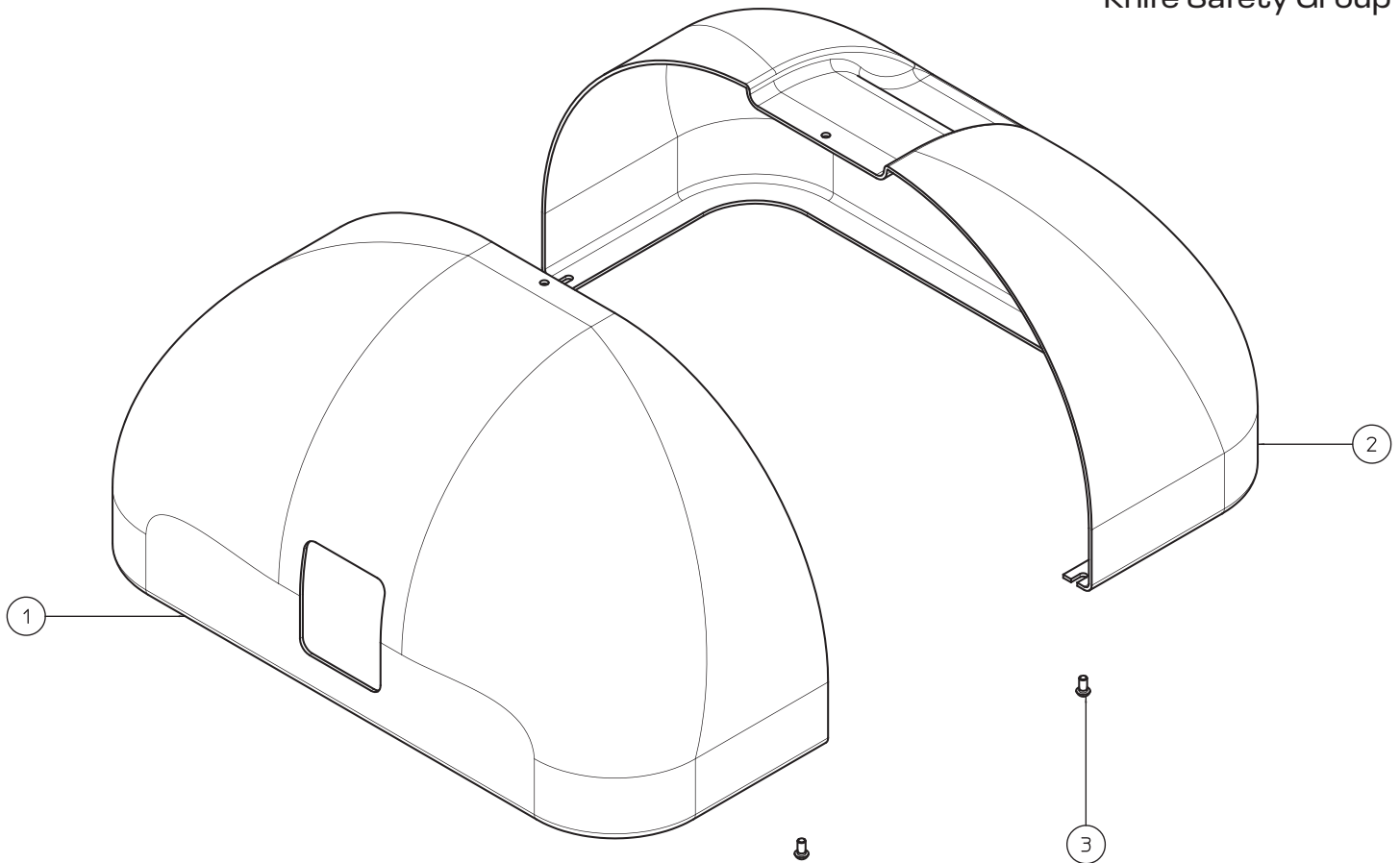
Casing Group



PARTS BREAKDOWN

ITEM	MODEL
47583	BE-IT-0030M

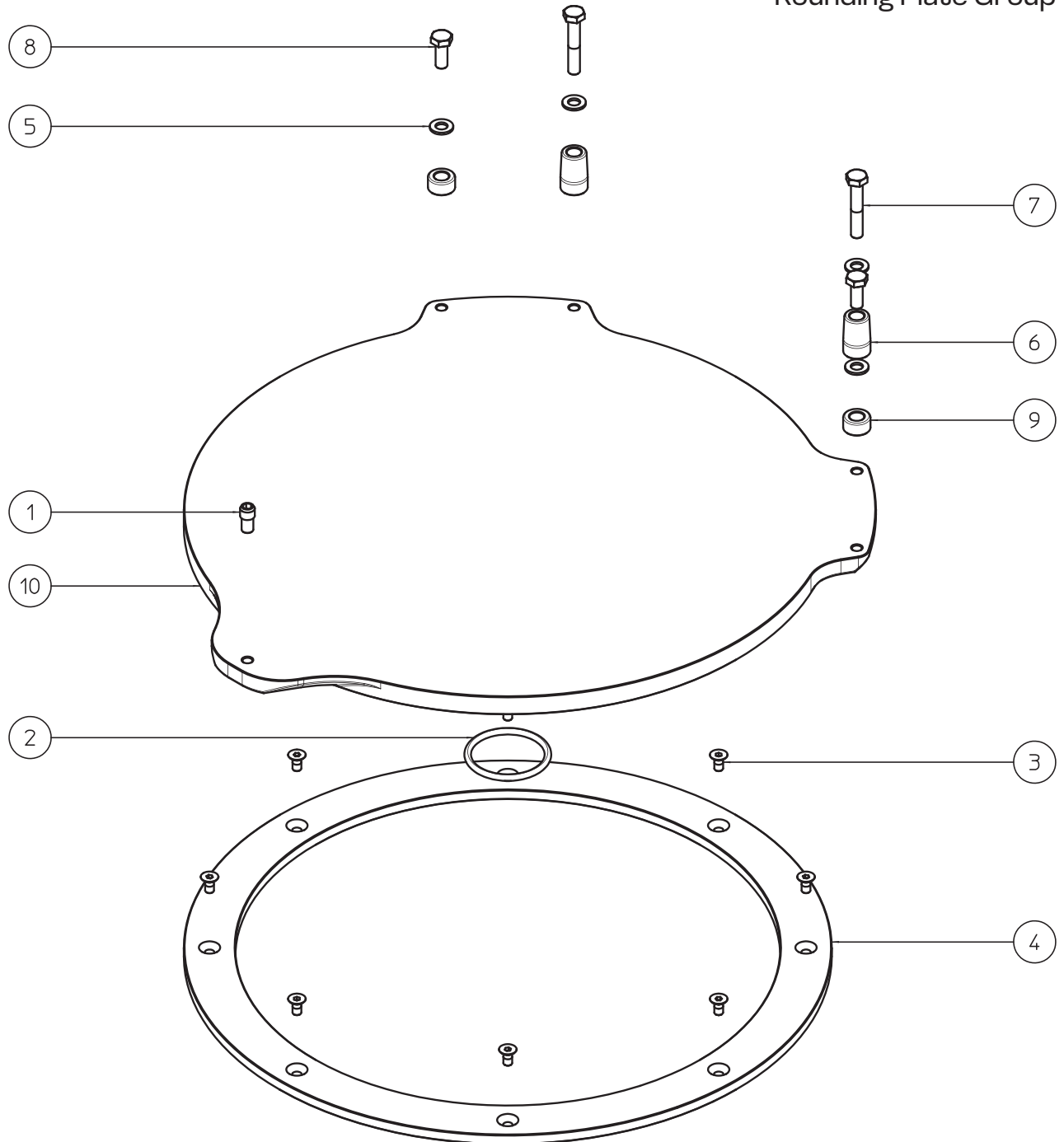
Knife Safety Group



PARTS BREAKDOWN

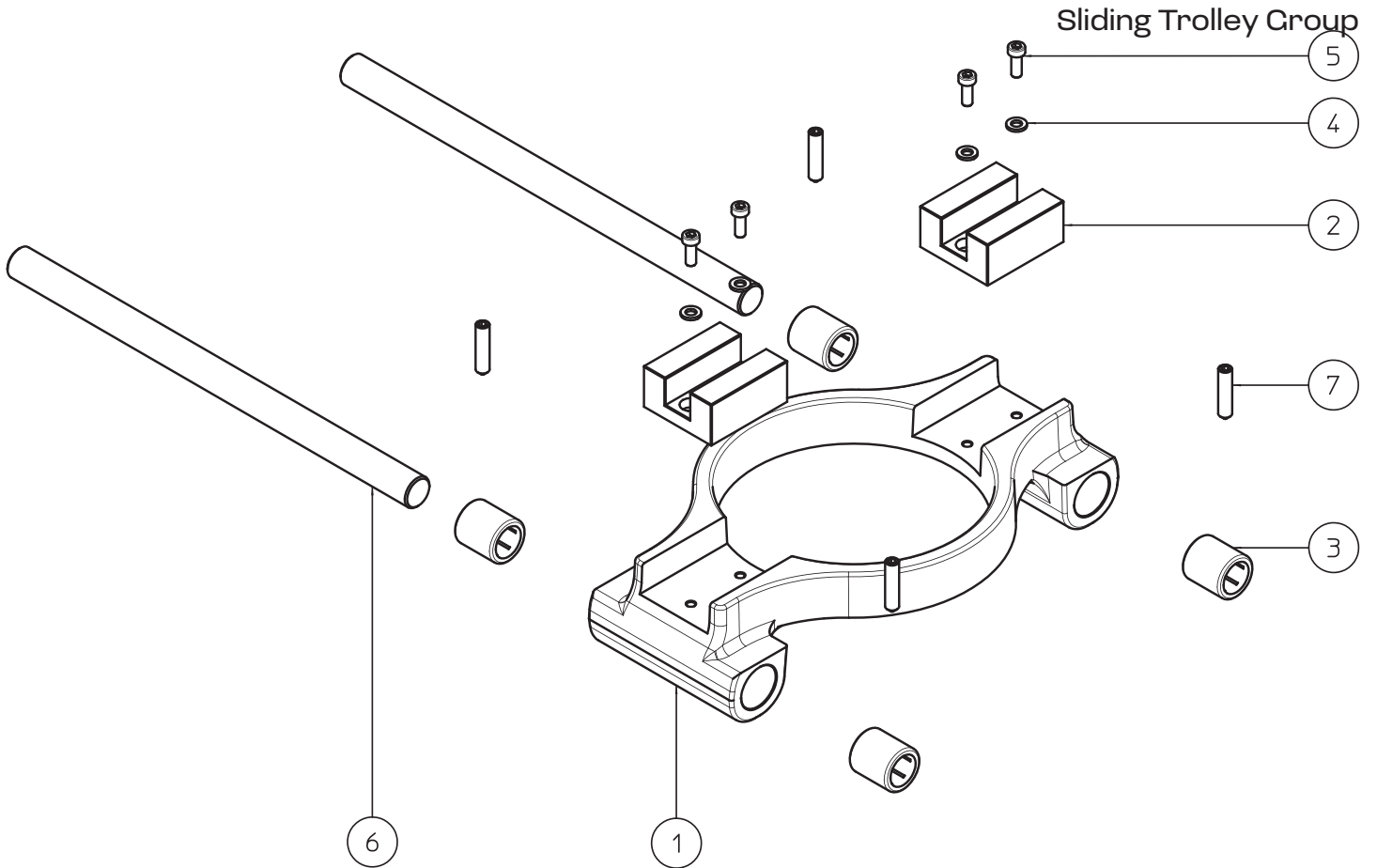
ITEM	MODEL
47583	BE-IT-0030M

Rounding Plate Group



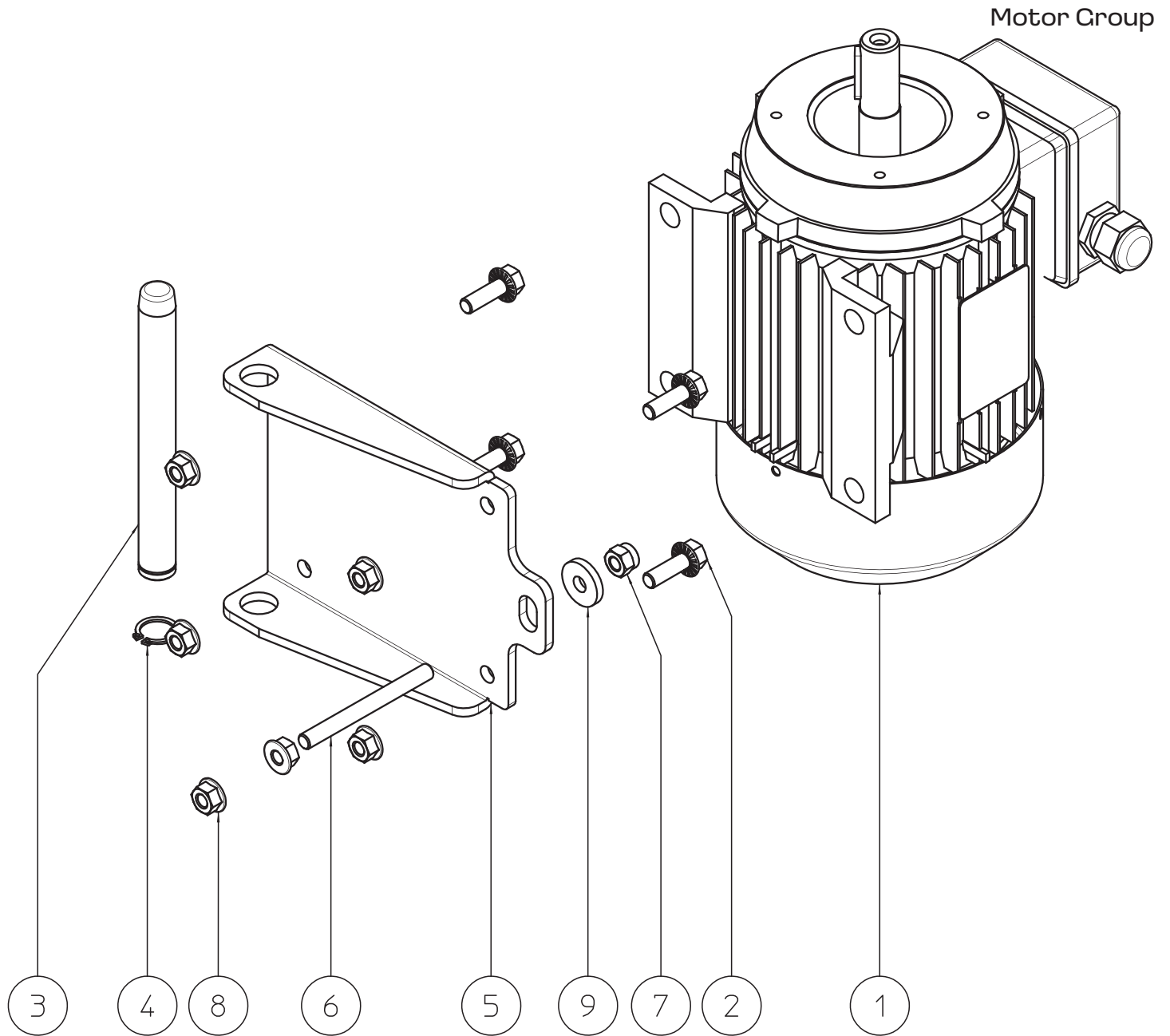
PARTS BREAKDOWN

ITEM	MODEL
47583	BE-IT-0030M



PARTS BREAKDOWN

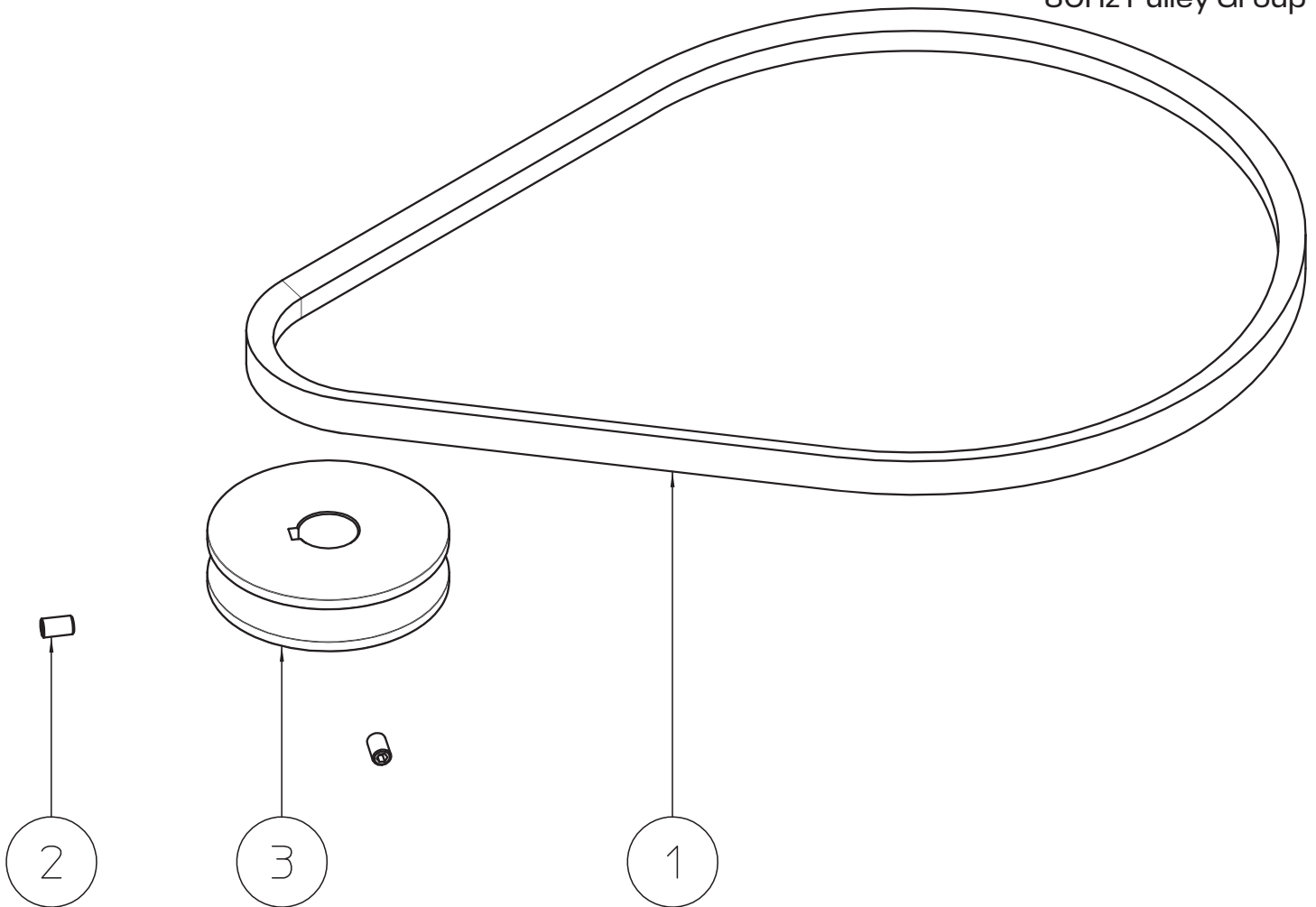
ITEM	MODEL
47583	BE-IT-0030M



PARTS BREAKDOWN

ITEM	MODEL
47583	BE-IT-0030M

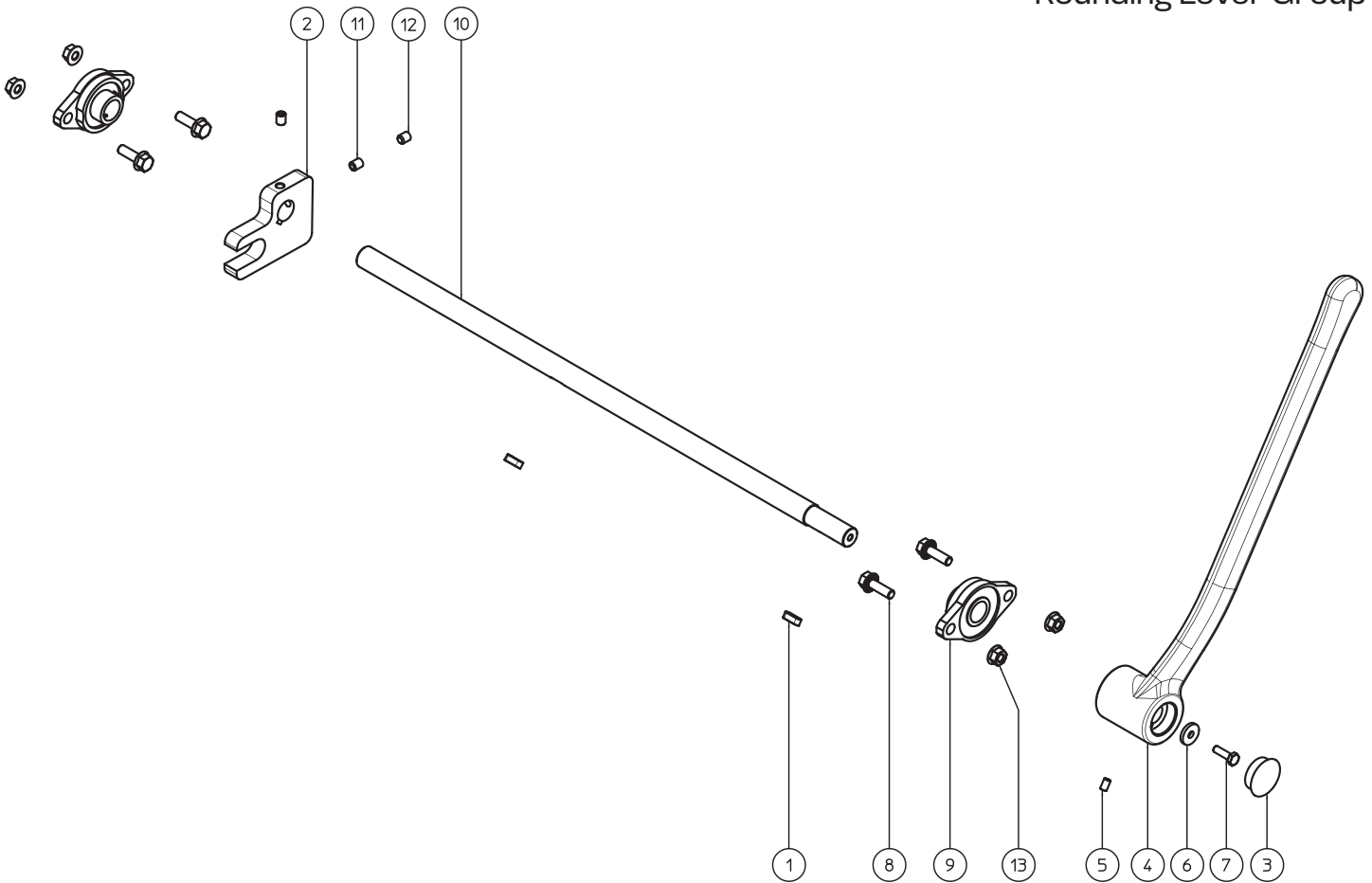
60Hz Pulley Group



PARTS BREAKDOWN

ITEM	MODEL
47583	BE-IT-0030M

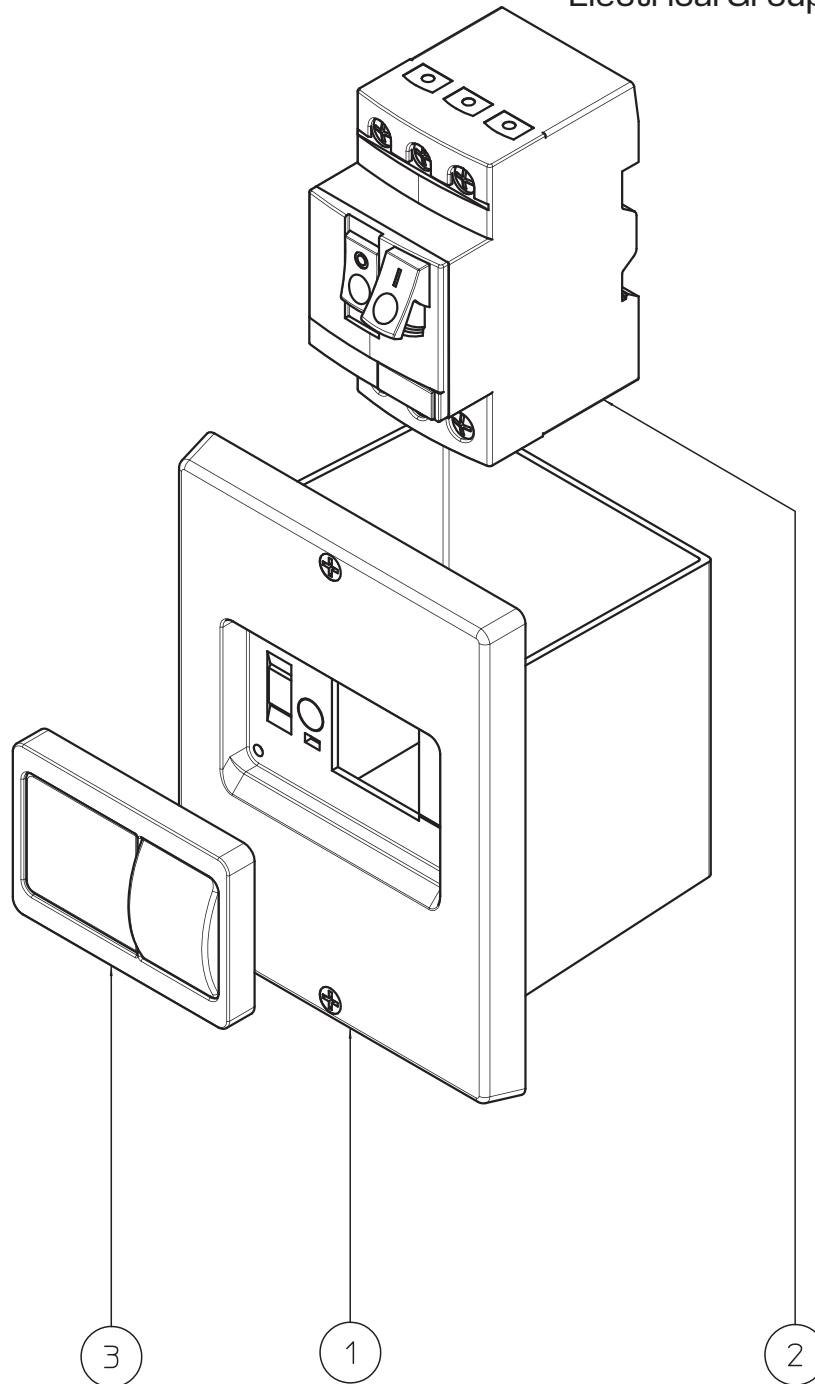
Rounding Lever Group



PARTS BREAKDOWN

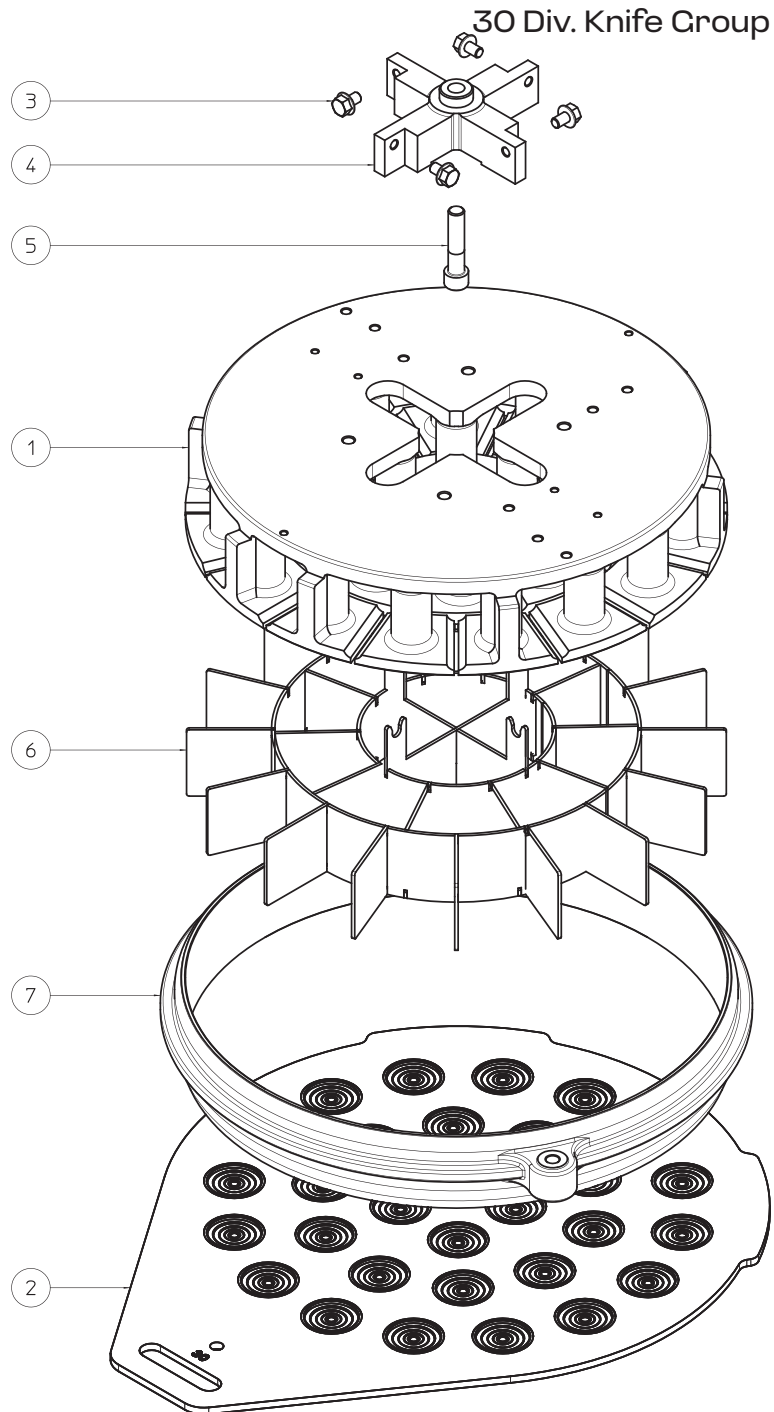
ITEM	MODEL
47583	BE-IT-0030M

Electrical Group



PARTS BREAKDOWN

ITEM	MODEL
47583	BE-IT-0030M



PARTS BREAKDOWN

ITEM	MODEL
47583	BE-IT-0030M

Knife Support Group

Item No.	Description	Position	Item No.	Description	Position	Item No.	Description	Position
AM210	Nut M8 Inox for 47583	1	AM403	Rod M10x20 for 47583	9	AM408	Washer D.10 Inox for 47583	17
AM193	Key 8x7x30mm for 47583	2	AM404	Mobile Pin D.25x150 for 47583	10	AM409	Screw TCBEI M10x50 Inox for 47583	18
AM194	Screw TCEI M10x30 Zinc for 47583	3	AM293	Washer D.10x30 SP. 5 Zinc for 47583	11	AM410	Cutting Support Group for 47583	19
AM286	Screw TE M8x20 Inox for 47583	4	AM405	Plug D.22 for 47583	12	AM411	Screw STEI M8x10 Inox for 47583	20
AM399	DX Support for 47583	5	AM406	Plug D.6x20 for 47583	13	AM220	Washer D.8 Inox for 47583	21
AM400	SX Support for 47583	6	AM310	Latch Insert KU 25 20 for 47583	14	AM412	Latch Insert KU 40 30 for 47583	22
AM401	Fixed Pin D.25x130 for 47583	7	AM223	Latch Insert KU 40 15 for 47583	15	AM413	Knife Support Group for 47583	
AM402	Seeger Ring D.25 for 47583	8	AM407	Nut M10 Inox for 47583	16			

Head Plate Group

Item No.	Description	Position	Item No.	Description	Position	Item No.	Description	Position
AM210	Nut M8 Inox for 47583	1	AM415	Rod Guide D.16x180 for 47583	8	AM418	Latch Insert KU 16 10 for 47583	15
AM222	Screw TE M8x30 Inox for 47583	2	AM416	Selflocking Nut M12 Inox for 47583	9	AM419	Handle for 47583	16
AM223	Latch Insert KU 40 15 for 47583	3	AM417	Washer D.12 Inox for 47583	10	AM420	Pin for Release Lever for 47583	17
AM224	Latch Insert KU 20 15 for 47583	4	AM214	Spring for 47583	11	AM421	Cutting Release Lever for 47583	18
AM225	Screw TCEI M10x45 Inox for 47583	5	AM183	Nut M6 Inox for 47583	12	AM227	Head Plate for 47583	19
AM414	Screw TCEI M6x12 Inox for 47583	6	AM261	Screw TCEI M6x25 Inox for 47583	13	AM422	Head Plate Group for 47583	
AM226	Screw TCEI M8x20 Zinc for 47583	7	AM271	Screw TCEI M6x30 Inox for 47583	14			

Operate Knife Group

Item No.	Description	Position	Item No.	Description	Position	Item No.	Description	Position
AM309	Seeger Ring D.40 for 47583	1	AM427	Latch Insert KF 22 10 for 47583	6	AM431	Support Limit for 47583	12
AM423	Rack Shaft for 47583	2	AM428	Lever Support for 47583	7	AM432	Adjustment Rod for 47583	13
AM424	Handwheel M6x10 for 47583	3	AM220	Washer D.8 Inox for 47583	8	AM433	Sticker for 47583	14
AM425	Lever for 47583	4	AM429	Screw TE M8x60 Inox for 47583	9	AM434	Operate Knife Group for 47583	
AM426	Pin Support for 47583	5	AM430	Anti Vibrating D.25x20 M6 for 47583	10			

PARTS BREAKDOWN

ITEM	MODEL
47583	BE-IT-0030M

Operate Ring Group

Item No.	Description	Position	Item No.	Description	Position	Item No.	Description	Position
AM208	Seeger Ring D.16 for 47583	1	AM216	Pin Ring Lever for 47583	8	AM209	Lift Ring Rod for 47583	15
AM435	Pin Lever Roller for 47583	2	AM212	Sliding Shoe 12x12x45 for 47583	9	AM219	Selflocking Nut M8 Inox for 47583	16
AM210	Nut M8 Inox for 47583	3	AM213	Lever Lift Ring for 47583	10	AM220	Washer D.8 Inox for 47583	17
AM183	Nut M6 Inox for 47583	4	AM185	Screw STEI M6x50 Inox for 47583	11	AM261	Screw TCEI M6x25 Inox for 47583	18
AM205	Latch Insert KU 16 15 for 47583	5	AM186	Selflocking Nut M6 Inox. for 47583	12	AM436	Operate Ring Group for 47583	
AM218	Screw TE M8x35 Inox for 47583	6	AM187	Screw TE M6x25 Inox for 47583	13			
AM217	Plug D.8x30 for 47583	7	AM214	Spring for 47583	14			

Frame Group

Item No.	Description	Position	Item No.	Description	Position	Item No.	Description	Position
AM231	Nut M16 Zinc for 47583	1	AM234	Screw TE M8x16 Zinc for 47583	5	AM239	Nut M8 Zinc for 47583	9
AM232	Washer D.16 Zinc for 47583	2	AM235	Wheel D.80x30 Fix for 47583	6	AM439	Fixing Bracket for 47583	10
AM233	Non-Slip Foot for 47583	3	AM437	Semiautomatic Head Plate for 47583	7	AM440	Frame Group for 47583	
AM240	Screw TCEI M12x45 Zinc for 47583	4	AM438	Frame for 47583	8			

Casing Group

Item No.	Description	Position	Item No.	Description	Position	Item No.	Description	Position
AM441	Angular Panel for 47583	1	AM444	Lateral Panel for 47583	4	AM248	Aluminum Rivet for 47583	7
AM442	Front Panel for 47583	2	AM445	Power Supply Panel for 47583	5	AM249	Screw Poeliers M6x12 Zinc for 47583	8
AM443	Rear Panel for 47583	3	AM246	Lock for 47583	6	AM446	Casing Group for 47583	

Knife Safety Group

Item No.	Description	Position	Item No.	Description	Position
AM447	Front Protection for 47583	1	AM449	Screw TCBEI M6x12 Inox for 47583	3
AM448	Rear Protection for 47583	2	AM450	Knife Safety Group for 47583	

PARTS BREAKDOWN

ITEM	MODEL
47583	BE-IT-0030M

Rounding Plate Group

Item No.	Description	Position	Item No.	Description	Position	Item No.	Description	Position
AM280	Pin for 47583	1	AM220	Washer D.8 Inox for 47583	5	AM287	Stopper for 47583	9
AM281	Seal OR 6200 for 47583	2	AM284	Stopper for 47583	6	AM288	Rounding Plate for 47583	10
AM282	Screw TSPEI M6x12 Zinc for 47583	3	AM285	Screw TE M8x45 Inox for 47583	7	AM289	Rounding Plate Group for 47583	
AM283	Ring for 47583	4	AM286	Screw TE M8x20 Inox for 47583	8			

Sliding Trolley Group

Item No.	Description	Position	Item No.	Description	Position	Item No.	Description	Position
AM315	Sliding Trolley for 47583	1	AM197	Washer D.6 Zinc for 47583	4	AM320	Screw STEI M8x35 for 47583	7
AM316	Shoe Guide for 47583	2	AM318	Screw TCEI M6x16 Zinc for 47583	5	AM321	Sliding Trolley Group for 47583	
AM317	Sliding Sleeve with Spheres for 47583	3	AM319	Pin Holder for 47583	6			

Motor Group

Item No.	Description	Position	Item No.	Description	Position	Item No.	Description	Position
AM322	Motor kW 0.55 6 Poli B3 220/380/60 UL/CSA Three Phases for 47583	1	AM326	Motor Fixing Shelf for 47583	5	AM299	Washer D.8x24 SP. 4 for 47583	9
AM323	Screw TE M8x25 Zinc for 47583	2	AM327	Threaded Bar M8x85 Zinc for 47583	6	AM329	Motor Group for 47583	
AM324	Motor Pin for 47583	3	AM328	Nut M8 Zinc for 47583	7			
AM325	Seeger Ring D.18 for 47583	4	AM239	Nut M8 Zinc for 47583	8			

60Hz Pulley Group

Item No.	Description	Position	Item No.	Description	Position
AM451	Belt A37 1/2 for 47583	1	AM331	Pulley 60x1A (60 Hz) for 47583	3
AM211	Screw STEI M6x10 for 47583	2	AM452	60Hz Pulley Group for 47583	

PARTS BREAKDOWN

ITEM	MODEL
47583	BE-IT-0030M

Rounding Lever Group

Item No.	Description	Position	Item No.	Description	Position	Item No.	Description	Position
AM453	Key 6x6x18mm for 47583	1	AM457	Washer D.6x20 SP.3 for 47583	6	AM460	Screw STEI M8x10 for 47583	11
AM454	Fork for 47583	2	AM255	Screw TE M6x20 Zinc for 47583	7	AM461	Screw STEI M8x10 for 47583	12
AM455	Plug D.30 for 47583	3	AM323	Screw TE M8x25 Zinc for 47583	8	AM239	Nut M8 Zinc for 47583	13
AM456	Lever for 47583	4	AM458	Flange Support D.20 UFL 004 for 47583	9	AM462	Rounding Lever Group for 47583	
AM211	Screw STEI M6x10 for 47583	5	AM459	Pin Lever Roller for 47583	10			

Electrical Group

Item No.	Description	Position	Item No.	Description	Position	Item No.	Description	Position
AM463	Electrical Box for 47583	1	AM464	Motor Protection 230/3/50-60 Volt 2.5-4A for 47583	2	AM465	Protection for 47583	3

30 Div. Knife Group

Item No.	Description	Position	Item No.	Description	Position	Item No.	Description	Position
AM395	Head 30 Div. for 47583	1	AM390	Support for 47583	4	AM392	Head Ring D.400 for 47583	7
AM396	Plate 30 Div. for 47583	2	AM391	Screw TCEI M12x50 Zinc for 47583	5	AM398	30 Div. Knife Group for 47583	
AM387	Screw TE M8x12 Zinc for 47583	3	AM397	Knife 30 Div for 47583	6			