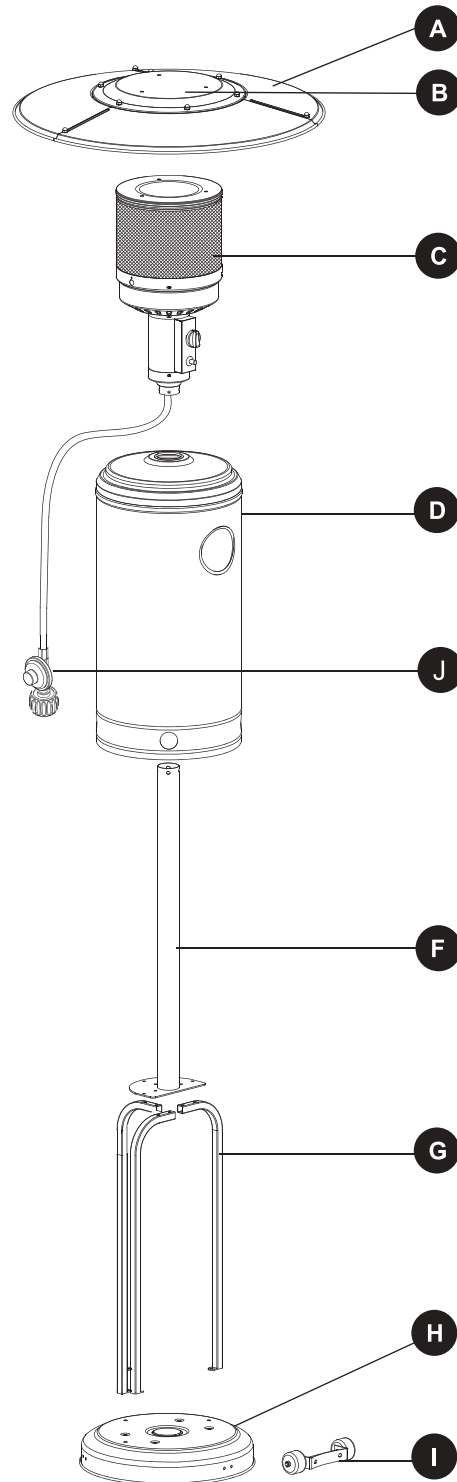


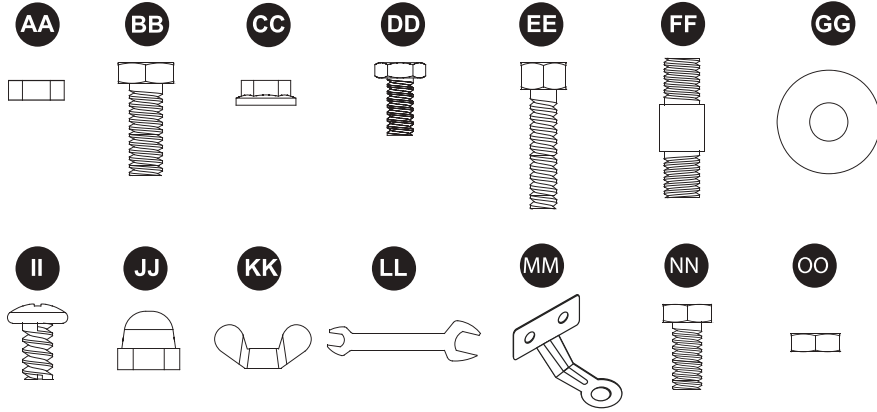
Parts Breakdown

Model PH-CN-2210-S 47595



Parts Breakdown

Model PH-CN-2210-S 47595



Parts Breakdown

Model PH-CN-2210-S 47595

Item No.	Description	Position	Item No.	Description	Position	Item No.	Description	Position
AH975	Reflector Assembly for 47595	A+B	AH984	M8 Flange Nut for 47595	AA	AH992	Cap Nut for 47595	JJ
AH977	Burner Assembly for 47595	C	AH985	Bolt M8x16 for 47595	BB	AH993	Wing Nut for 47595	KK
AH978	Tank Housing for 47595	D	AH986	M6 Flange Nut for 47595	CC	AH994	Wrench for 47595	LL
AH979	Post for 47595	F	AH987	Stainless Steel Bolt for 47595	DD	AH995	Anchoring Arm for 47595	MM
AH980	Support Bracket for 47595	G	AH988	Bolt M6x30 for 47595	EE	AH996	Bolt M6x10 for 47595	NN
AH981	Base for 47595	H	AH989	Reflector Spacer for 47595	FF	AH997	M6 Nut for 47595	OO
AH982	Wheel Assembly for 47595	I	AH990	Washer for 47595	GG			
AH983	Regulator for 47595	J	AH991	Screw M6x10 for 47595	II			