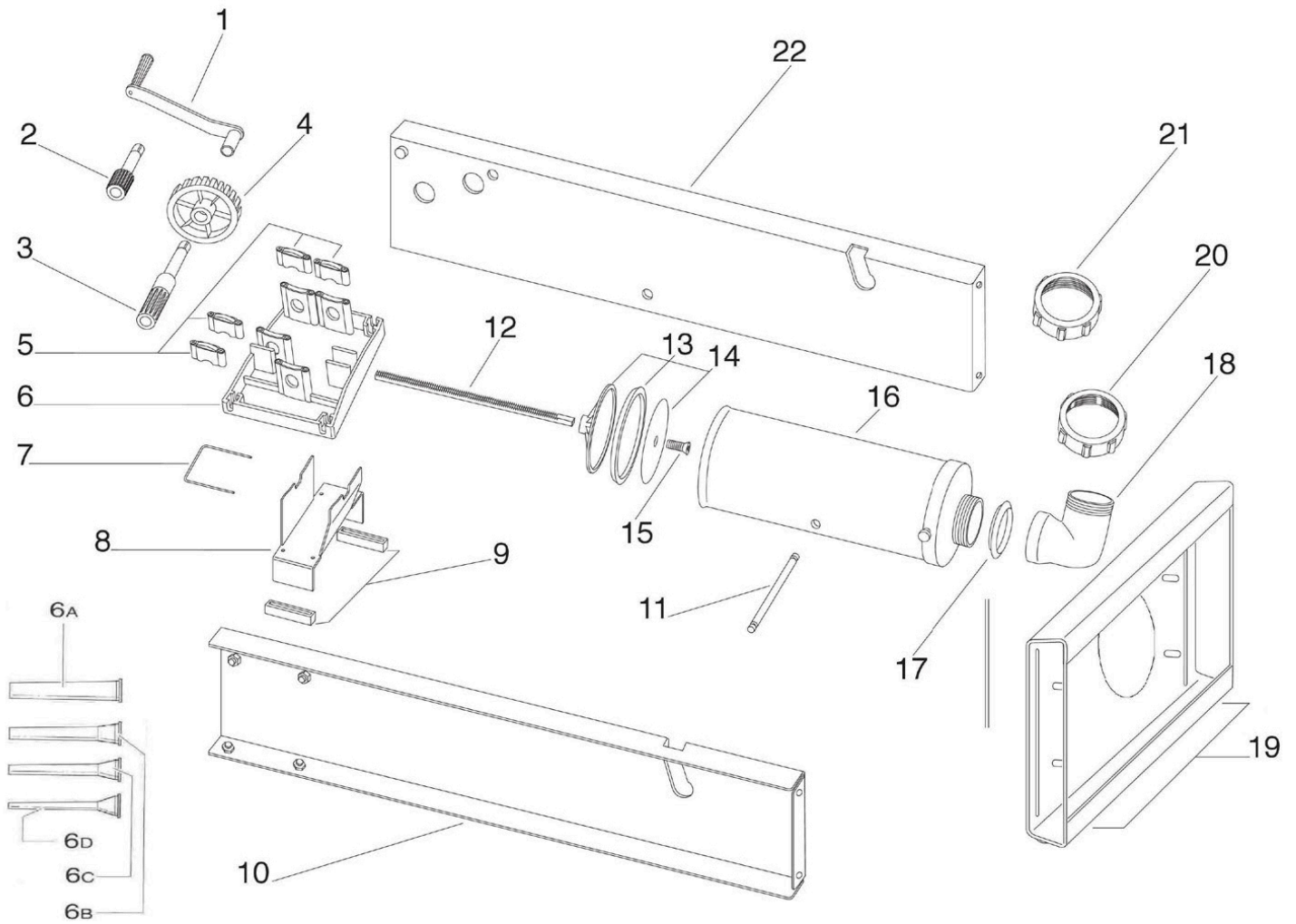


# PARTS BREAKDOWN

ITEM

47716



# PARTS BREAKDOWN

**ITEM**

**47716**

Item No.	Description	Position	Item No.	Description	Position	Item No.	Description	Position
AQ091	Crank for 47716	1	AQ097	Crankcase Gears Vertical Series for 47716	8	AQ105	Corner Junction Gasket Vertical Series for 47716	17
45090	Forward Motion Pin for 47716	2	AQ098	Rubber Foot for 47716	9	AQ106	Corner Junction Vertical Series for 47716	18
AQ092	Backward Motion Pin (Fast) for 47716	3	AQ113	5kg Close Casing Vertical for 47716	10	AQ117	Inox Foot Vertical Series for 47716	19
AI869	Large Tooth Gear for 47716	4	AQ114	Crossbar Casing for 47716	11	AQ108	Aluminum Nut Sausage Stuffer for 47716	20
AQ118	Gear (Fast Motion) Steel for 47716	4	AQ115	5kg Rack for 47716	12	AQ109	Ring Nut Vertical Series for 47716	21
AQ093	Couple Clamps for 47716	5	AQ102	Seal Buffer for 47716	13	AQ119	5kg Open Casing Vertical for 47716	22
AQ094	Flange Complete for 47716	6	AQ103	Buffer+Cover for 47716	14	AQ120	5kg Casing Horizontal Red for 47716	23
AQ095	Plastic Filling Tubes 4pc Set (Size 10/20/25/35mm) for 47716	6a, 6b, 6c, 6d	AQ104	Inox Screw 8x40 for 47716	15	AQ121	5kg Casing Horizontal Inox for 47716	23
AQ096	Tube Lock for 47716	7	AQ116	5kg Stainless Steel Tube for 47716	16			