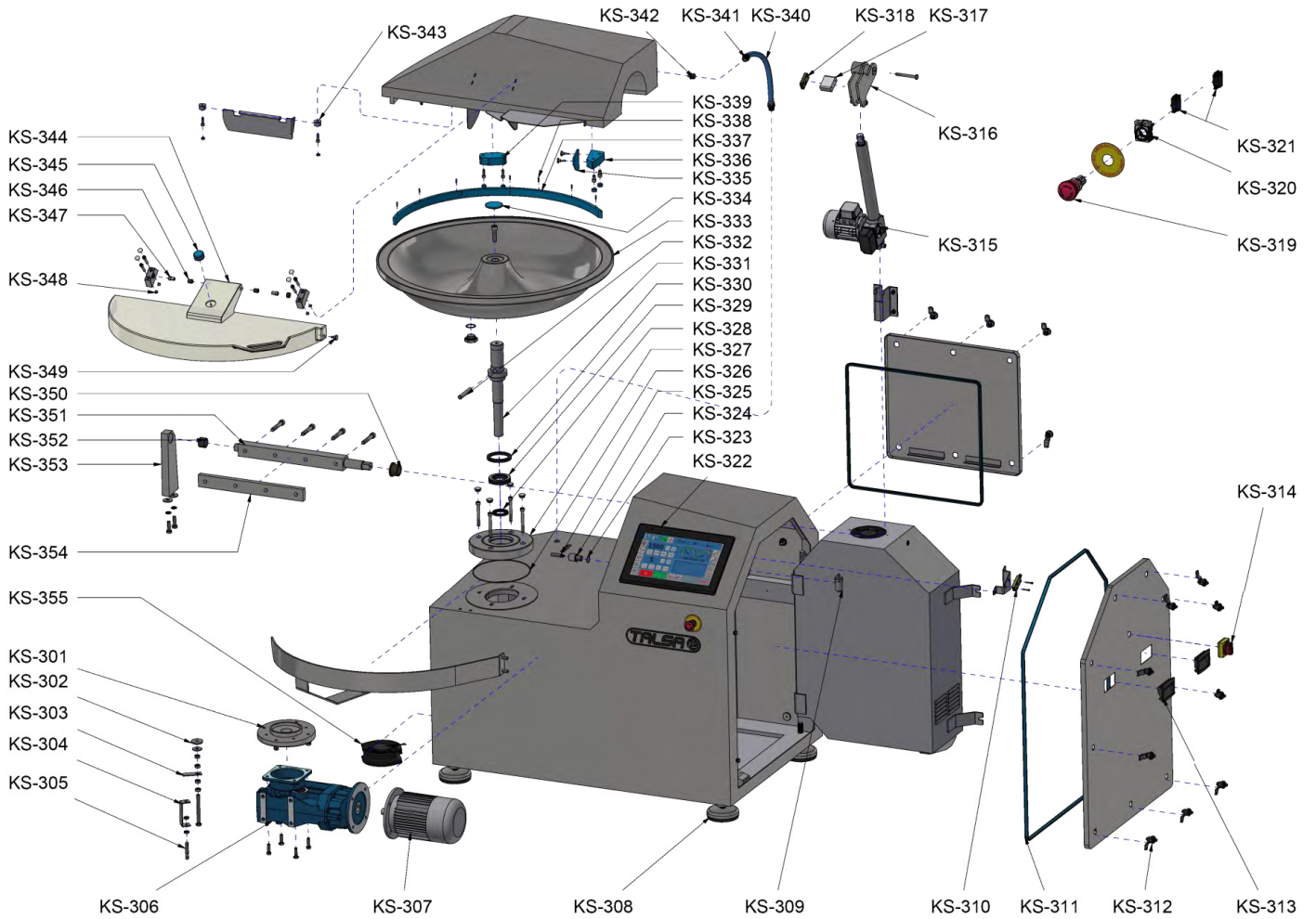


# PARTS BREAKDOWN

ITEM	MODEL
47834	FP-ES-0055

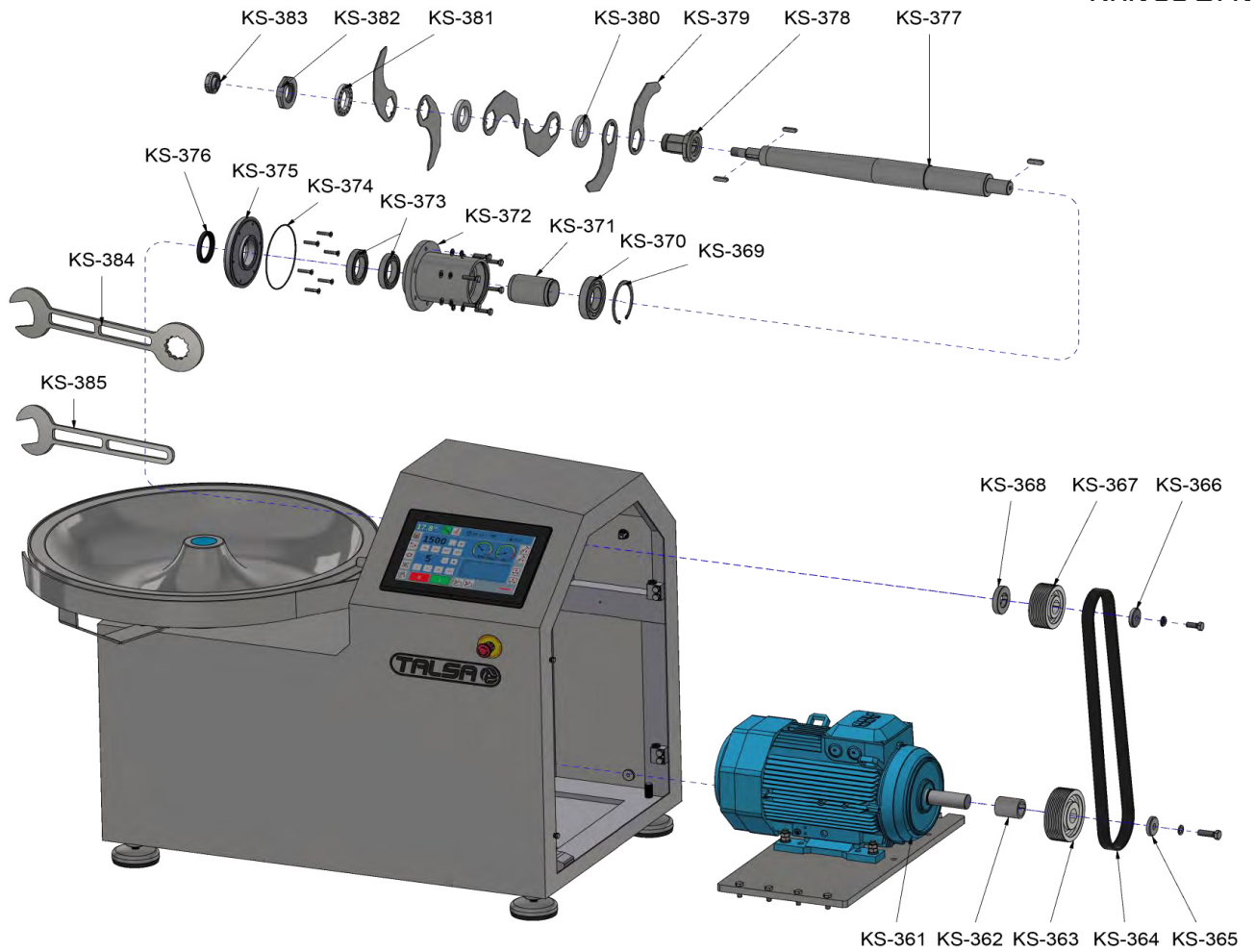
## Bowl Drive and Openings



# PARTS BREAKDOWN

ITEM	MODEL
47834	FP-ES-0055

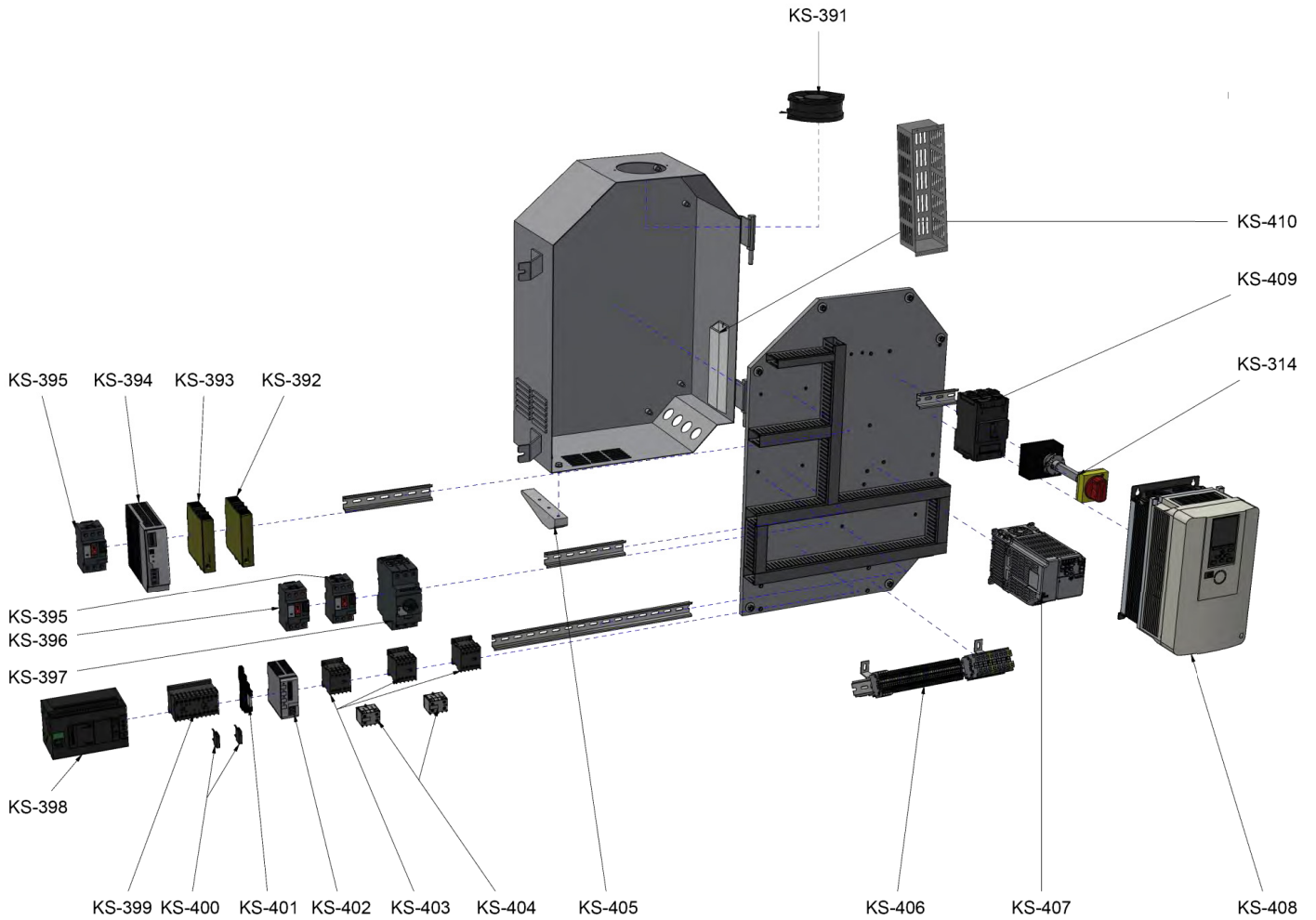
## Knives Drive



# PARTS BREAKDOWN

ITEM	MODEL
47834	FP-ES-0055

## Electric Cabinet



# PARTS BREAKDOWN

ITEM	MODEL
47834	FP-ES-0055

Item No.	Description	Position	Item No.	Description	Position	Item No.	Description	Position
AT041	Artesa Reducer Disc, AISI304 Machined, not Cast, Ø225mm for 47834	KS-301	AT055	Linear Screw Actuator for 47834	KS-315	AT069	SKF 51112 Axial Ball Bearing (1xArtesa Support) for 47834	KS-329
AT042	Reducer-Artesa Shaft Washer Ø45xØ12.5x8mm, Stainless Steel AISI303 for 47834	KS-302	AT056	Cam Stop Welded Cover for 47834	KS-316	AT070	SKF Viton-75FPM585 "ASL" Seal ØInt.75xØExt.95x10mm DIN3760-ASL Double Lip Material for 47834	KS-330
AT043	Artesa AISI304 Inductive Plate for 47834	KS-303	AT057	APM500 Magnetic Detector Supplement Blue5017 for 47834	KS-317	AT071	Artesa K55 AISI303 Drive Reducer Shaft for 47834	KS-331
AT044	Artesa AISI304 Inductive Support Plate for 47834	KS-304	AT058	ABB EVA OSSD Detector IP69K Ref: 2TLA020046R0800 for 47834	KS-318	AT072	Vertical Axis Pin Reducer AISI303 Artesa K55 Ø15x100mm for 47834	KS-332
AT045	Inductive Detector M12 AM1/AP-4H for 47834	KS-305	AT059	Red Mushroom Pushbutton Head for 47834	KS-319	AT073	Craftsman Cutter, Stainless Steel CF8, Machined, Finished for 47834	KS-333
AT046	Reducer SITI MBHF-63/80.52, Pam 24x200, Tapered Bearings, V5 Mounting Position, Orthogonal Axles, Helical Gears for 47834	KS-306	AT060	Siemens Sirius Metal Support for 47834	KS-320	AT074	Center Cone Plug Artesa Polyethylene APM/PE1000 UHMW Blue RAL5017 for 47834	KS-334
AT047	Electr Artesa Motor Variable Speed, Antigua ABB M3AA-90LD-4, 1.5kW, 400/230V-50Hz, 1439 RPM, IE3 IP55, 24mm Shaft for 47834	KS-307	AT061	Camera Contact Loose N.C for 47834	KS-321	AT075	Removable Scraper Cover, Polyethylene APM/PE1000 UHMW Blue RAL5017 for 47834	KS-335
AT048	Matt Stainless Steel Foot TGB Threaded Rod M20x150mm (Charger-S/N, Antigua) for 47834	KS-308	AT062	HMI Terminal Screen 15"W Schnell Ref: HMIST6700 for 47834	KS-322	AT076	Right Scraper Cover, Polyethylene APM/PE1000 UHMW Blue RAL5017 for 47834	KS-336
AT049	HS-429 Compact Vibration Switch for 47834	KS-309	AT063	Ring ØInt.22x2mm, NBR70 (Inductive Detector Bushing) for 47834	KS-323	AT077	Friction Band Cover Polyethylene APM/PE1000 UHMW 1130x30x10mm, Machined Blue Color RAL5017 for 47834	KS-337
AT050	ABB Adam OSSD M12 IP69K Detector Ref: 2TLA020051R5400 for 47834	KS-310	AT064	Inductive Detector Bushing for 47834	KS-324	AT078	Spring Positioner GN 614.4-4-KU Technopolymero (Band) for 47834	KS-338
AT051	U Profile Gate Gasket 11x14mm Blue Silicone RAL5017 (Charger-S/N) for 47834	KS-311	AT065	Inductive Detector M12 PNP/NO AM1/AP-3A84 3 M Cable for 47834	KS-325	AT079	Artesa Central Scraper, Polyethylene APM/PE1000 UHMW Blue RAL5017 for 47834	KS-339
AT052	Stainless Steel Rotary Lock GN 115-VH8-28-NI Hygienic (Loader-S/N) for 47834	KS-312	AT066	O-Ring ØInt.220x3mm, NBR70 (Upper Disc Artesa) for 47834	KS-326	AT080	Reinforced Corrugated Tube Ø16x21, 1 Silvyn FG NM 1/2 (Probe) goes with M20x1.5 Fitting (#4340) for 47834	KS-340
AT053	EPR Gates Handle. 110-PF-IP-C1 Black Color Ref: 261161-C1 (Charger-N) for 47834	KS-313	AT067	Upper Disc Welding Set for 47834	KS-327	AT081	Cable Gland for Tube M20x1.5mm, Silvyn Hygienic for 47834	KS-341
AT054	Schnel Extended Rotary Control LV426933 Red/Yellow Handle, IP54, for NSXM-P Switches (Gate) for 47834	KS-314	AT068	"ASL" Seal ØInt.40xØExt.62x7mm Din3760-ASL Double Lip, Material 103 for 47834	KS-328	AT082	Stainless Steel Probe PT-100 Ø7x10mm, R1/2 Gas, 5M Silicone Cable, 3 Wire Ref: PFH18254/5 for 47834	KS-342

# PARTS BREAKDOWN

ITEM	MODEL
47834	FP-ES-0055

Item No.	Description	Position	Item No.	Description	Position	Item No.	Description	Position
AT083	Blade Cover Trap Holder for 47834	KS-343	AT098	Motor Pulley 15KW Motor Blades for 47834	KS-363	AT113	Hexagonal Blade Support M50x2mm, Left Thread for 47834	KS-378
AT084	Polycarbonate Methacrylate Cover (Plexi) Transparent Soundproof 10mm, Colorless, Polished Edges for 47834	KS-344	AT099	Poly-V Multi-Rib Belt 1715 PL7 Megadyne for 47834	KS-364	AT114	Cutter Blade 4 Cut, Be-Kut Steel, R184, -50, 55 /11, Thickness 3.5 for 47834	KS-379
AT085	Polycarbonate Methacrylate Cover Stopper (Plexi) Ø40/18mm M8 Blue Rubber RAL5017 for 47834	KS-345	AT100	Motor Pulley Washer 15KW Motor Blades for 47834	KS-365	AT115	Separation Rings for 6 Blades Reel for 47834	KS-380
AT086	Self-Lubricated Bearing B11 A-12-15-16mm (Polycarbonate Methacrylate (Plexi) Cover) for 47834	KS-346	AT101	Blade Shaft Pulley Washer for 47834	KS-366	AT116	3 Blades Reel Separation Rings for 47834	KS-380
AT087	Anti-Noise Cover Hinge Pin for 47834	KS-347	AT102	Poly-V Blade Shaft Pulley Ø125xØ40x49.6mm, 2030 Aluminum for 47834	KS-367	AT117	Balanced Ring for Blades Arnite (Pet) White Ø90mm, Thickness 10mm for 47834	KS-381
AT088	Ring ØInt.8x2mm, NBR70 (Polycarbonate Methacrylate Cover Hinge (Plexi) for 47834	KS-348	AT103	Blade Shaft Pulley Stop Bushing for 47834	KS-368	AT118	Blade Fixing Nut, Left Thread, 4 Flats, AISI303 for 47834	KS-382
AT089	Metal for Inductive Detector, AISI303 Ø22mm (Polycarbonate Methacrylate Cover (Plexi)) for 47834	KS-349	AT104	Safety Ring A2-AISI304 DIN472 Hole Ø120x4mm (Blades Holder (Torpedo)) for 47834	KS-369	AT119	Blade Fixing Blade Nut AISI303 for 47834	KS-383
AT090	Self-Lubricated Bearing B11 B-35-45-30/55-5 with Flange (Turn Axle Cover) for 47834	KS-350	AT105	SKF 6213 2Z Ball Bearing for 47834	KS-370	AT120	Cutters "S" Fan, 17W 24V DC 0.71A, 3300 RPM for 47834	KS-391
AT091	Square Shaft Turn Cover AISI304 50x50mm for 47834	KS-351	AT106	Bearing Separator Bush, AISI304 Ø80xØ65x116.1mm for 47834	KS-371	AT121	ABB Sentry SSR42 Safety Relay Module 24VDC 2NO/2NO with 1.5 Sec Delay for 47834	KS-392
AT092	Self-Lubricated Bearing B11 A-30-38-25mm (Blade Cover Support) for 47834	KS-352	AT107	Interior Blade Support (Mini-Torpedo) AISI304, Machined, without Accessories for 47834	KS-372	AT122	ABB Sentry SSR10 24VDC 3NO/1NC Safety Relay Module for 47834	KS-393
AT093	AISI304 Column Cover Support for 47834	KS-353	AT108	SKF 6013 2Z Ball Bearing for 47834	KS-373	AT123	Phoenix Power Supply for 47834	KS-394
AT094	Plate Supplement Rotation Axis Cover K55 AISI304 450x50x20mm for 47834	KS-354	AT109	O-Ring ØInt.180x3mm, NBR70 (Blades Shaft Cover) for 47834	KS-374	AT124	Schnel Magnetothermal Motor Guard-Circuit Breaker GV2ME06 1-1.6A for 47834	KS-395
AT095	Cutters "S" Fan, 26W 24V DC 1.1A, 3700 RPM for 47834	KS-355	AT110	Blades Shaft Cover, AISI304 for 47834	KS-375	AT125	Schnel GV2ME10 Magnetothermal Circuit Breaker-Motor Guard 4-6.3A for 47834	KS-396
AT096	ABB Electric Motor for 47834	KS-361	AT111	SKF Viton-75FPM585 "ASL" Seal ØInt.70xØExt.90x10mm DIN3760-ASL Double Lip Material (Blades Shaft) for 47834	KS-376	AT126	Schnel GV3P40 3P 30/40A 50KA Magnetothermal Circuit Breaker-Motor Guard for 47834	KS-397
AT097	15KW Engine Separator Bushing for 47834	KS-362	AT112	AISI303 Machined Blade Shaft, Ø70mm for 47834	KS-377	AT127	Modicon M241 CPU/PLC - Schnel TM241CE24T Controller, 14 Inputs, 10 Outputs, PNP Ethernet Transistor. Program for Machine for 47834	KS-398

# PARTS BREAKDOWN

ITEM	MODEL
47834	FP-ES-0055

Item No.	Description	Position	Item No.	Description	Position	Item No.	Description	Position
AT128	Schnel Inverter Mini-Contactor LP2K0601BD 3P 6A DC24V for 47834	KS-399	AT132	Schnel Contactor LP1K0610BD 6A, Tesy K, DC 24V (Charger) for 47834	KS-403	AT136	Blade Variator for 47834	KS-408
AT129	Schnel Diode Suppressor Module Tesys K Ref. LA4KC1B LED 12/24V DC Only for 47834	KS-400	AT133	Block 2 Auxiliary Contacts Schnel LA1KN11PKX Pack, 1NO+1NC for 47834	KS-404	AT137	Main Switch for 47834	KS-409
AT130	Schnel SSL1D03BD-PV Solid State Relay and Screw Socket, 16-30VDC, 1NO Output 3.5A 1-24VDC for 47834	KS-401	AT134	Pom White Electric Frame Skate for 47834	KS-405	AT138	Braking Resistance for 47834	KS-410
AT131	Schnel SSL1D03BD-PV Solid State Relay and Screw Socket, 16-30VDC, 1NO Output 3.5A 1-24VDC for 47834	KS-402	AT135	Artesa Variator for 47834	KS-407			