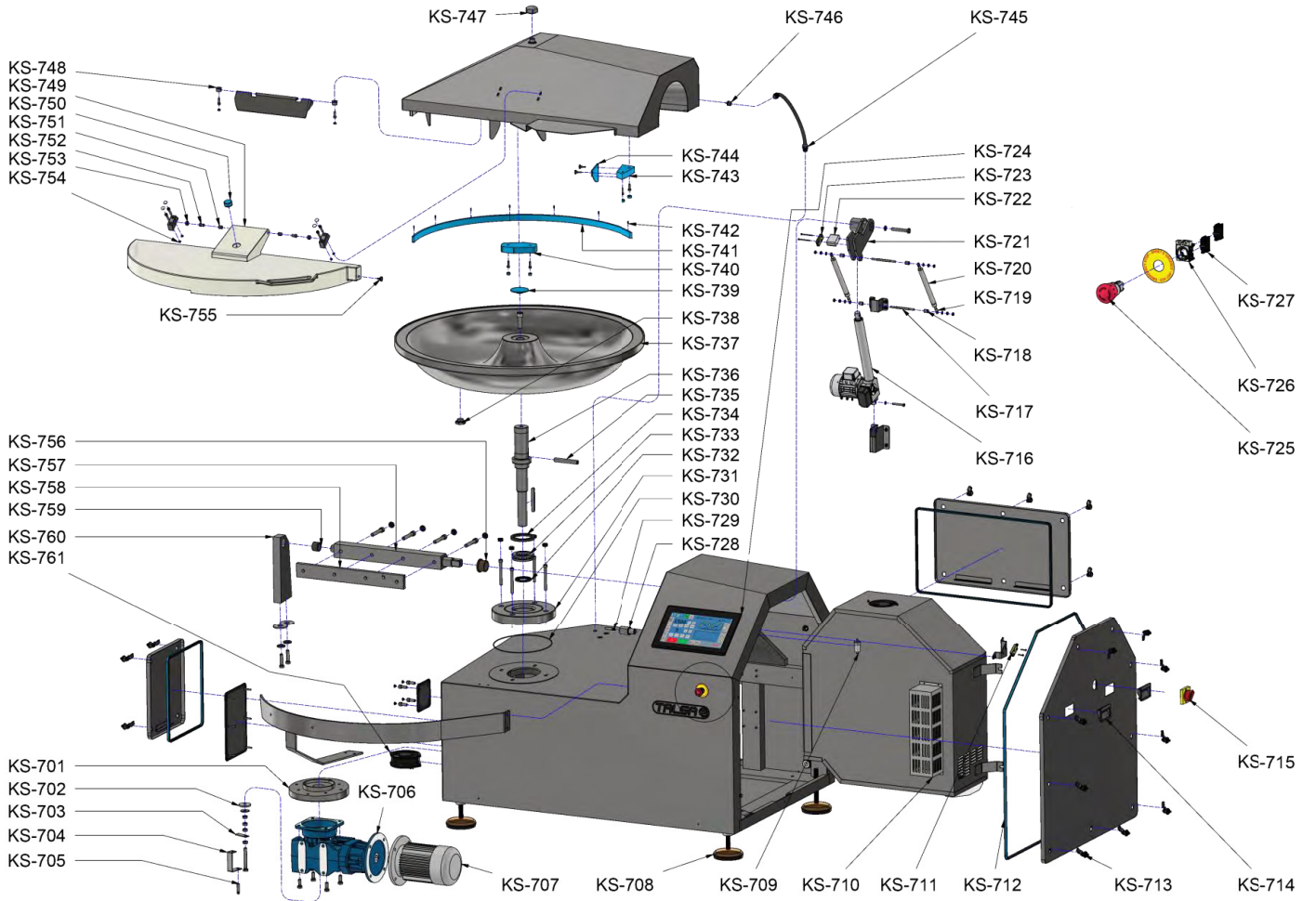


# PARTS BREAKDOWN

ITEM	MODEL
47835	FP-ES-0095

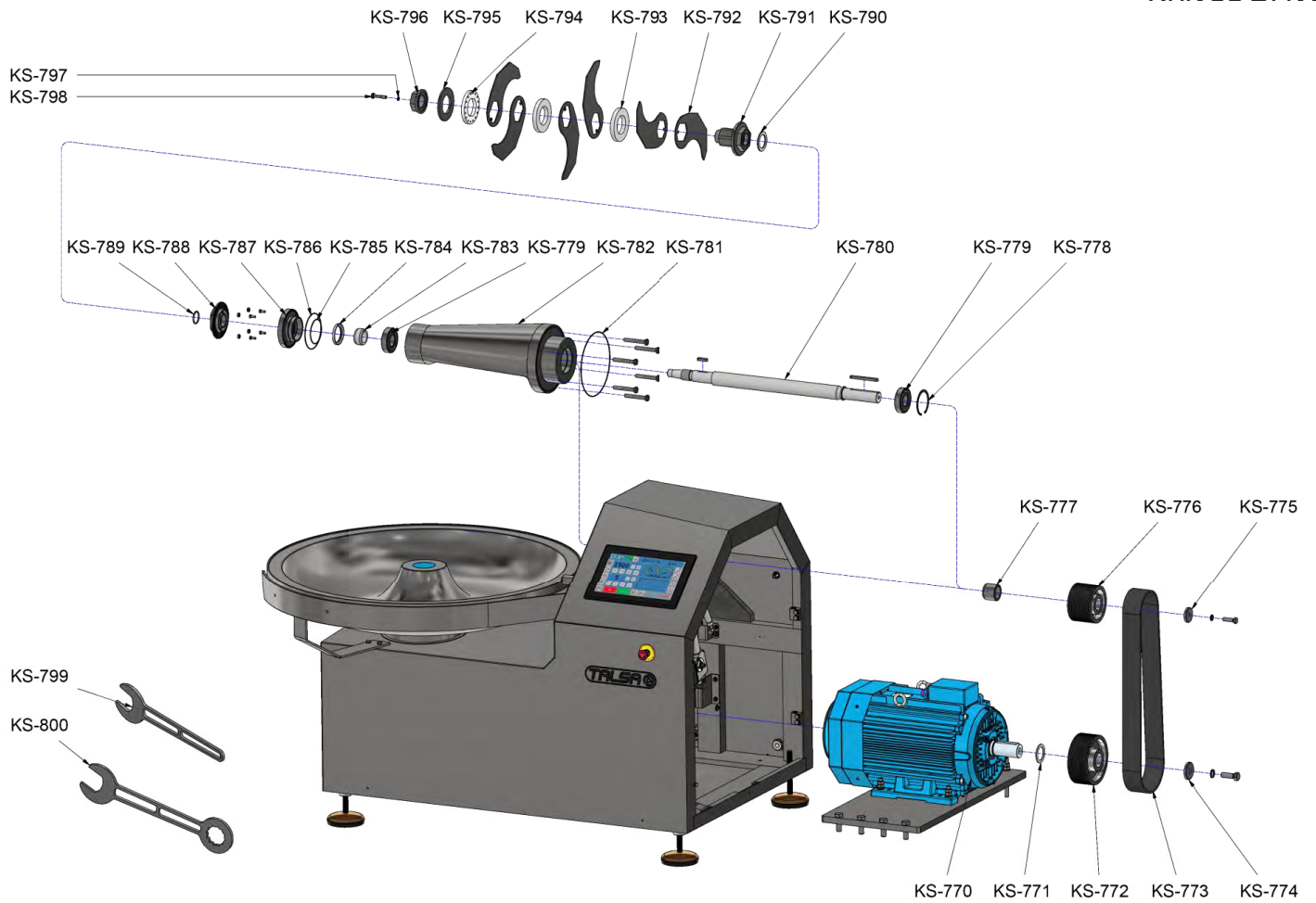
## Bowl Drive and Openings



# PARTS BREAKDOWN

ITEM	MODEL
47835	FP-ES-0095

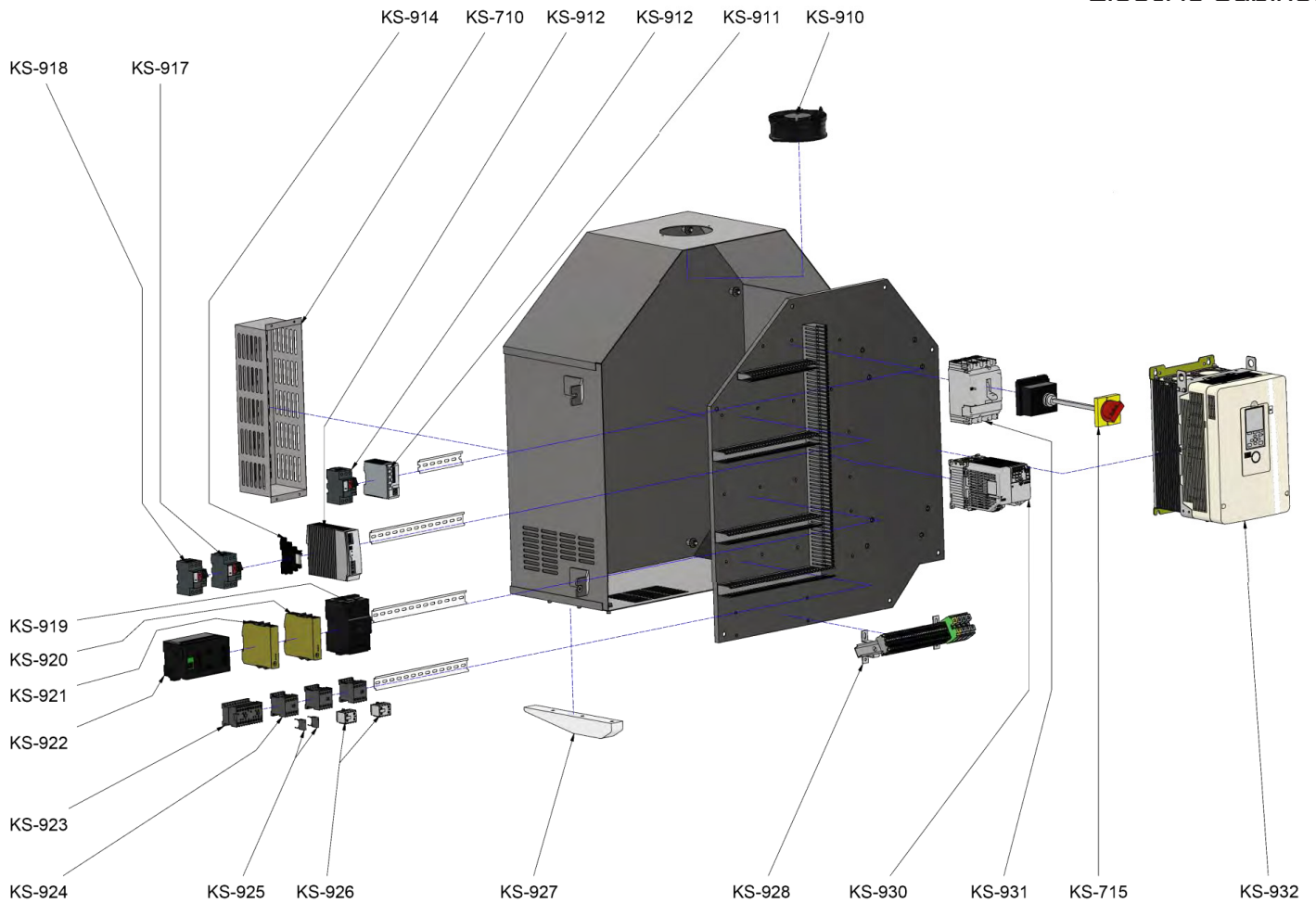
## Knives Drive



# PARTS BREAKDOWN

ITEM	MODEL
47835	FP-ES-0095

Electric Cabinet



# PARTS BREAKDOWN

ITEM	MODEL
47835	FP-ES-0095

Item No.	Description	Position	Item No.	Description	Position	Item No.	Description	Position
AT139	Artesa Reducer Disc for 47835	KS-701	AT140	Cam Shaft Stop Cover for 47835	KS-717	AT149	Reducer Vertical Axis Pin for 47835	KS-735
AT042	Reducer-Artesa Shaft Washer Ø45xØ12.5x8mm, Stainless Steel AISI303 for 47835	KS-702	AT141	Cam Shaft Bushing Stop Cover for 47835	KS-718	AT150	Artesa Drive Reducer Shaft for 47835	KS-736
AT043	Artesa AISI304 Inductive Plate for 47835	KS-703	AT142	Prop Anchorage for 47835	KS-719	AT151	Trough for 47835	KS-737
AT044	Artesa AISI304 Inductive Support Plate for 47835	KS-704	AT143	Pneumatic Strap for 47835	KS-720	AT152	Artesa Emptying Cap for 47835	KS-738
AT045	Inductive Detector M12 AM1/AP-4H for 47835	KS-705	AT144	Cam Stop Welded Cover for 47835	KS-721	AT153	Artesa Cone Center Cap for 47835	KS-739
AT046	Reducer SITI MBHF-63/80.52, Pam 24x200, Tapered Bearings, V5 Mounting Position, Orthogonal Axles, Helical Gears (Artesa Cutter) for 47835	KS-706	AT057	APM500 Magnetic Detector Supplement Blue5017 for 47835	KS-722	AT154	Artesa Central Scraper for 47835	KS-740
AT047	Electr Artesa Motor Variable Speed, Antigua ABB M3AA-90LD-4, 1.5kW, 400/230V-50Hz, 1439 RPM, IE3 IP55, 24mm Shaft for 47835	KS-707	AT058	ABB EVA OSSD Detector IP69K Ref: 2TLA020046R0800 for 47835	KS-723	AT155	Friction Band for 47835	KS-741
AT048	Matt Stainless Steel Foot TGB Threaded Rod M20x150mm (Charger, Antigua) for 47835	KS-708	AT062	HMI Terminal Screen 15"W Schnell Ref: HMIST6700 for 47835	KS-724	AT078	Spring Positioner GN 614.4-4-KU Technopolymero for 47835	KS-742
AT049	HS-429 Compact Vibration Switch for 47835	KS-709	AT059	Red Mushroom Pushbutton Head for 47835	KS-725	AT156	Right Scraper Cover for 47835	KS-743
AT138	Braking Resitance for 47835	KS-710	AT060	Siemens Sirius Metal Support for 47835	KS-726	AT157	Removable Cover Scraper for 47835	KS-744
AT050	ABB Adam OSSD M12 IP69K Detector Ref: 2TLA020051R5400 for 47835	KS-711	AT061	Camera Contact Loose N.C for 47835	KS-727	AT081	Cable Gland for Tube M20x1.5mm, Silvyn Hygienic for 47835	KS-745
AT051	U Profile Gate Gasket 11x14mm Blue Silicone RAL5017 (Charger) for 47835	KS-712	AT145	Detector Bush for 47835	KS-728	AT082	Stainless Steel Probe PT-100 Ø7x10mm, R1/2 Gas, 5M Silicone Cable, 3 Wire Ref: PFH18254/5 for 47835	KS-746
AT052	Stainless Steel Rotary Lock GN 115-VH8-28-NI Hygienic (Cutters, Loader) for 47835	KS-713	AT065	Inductive Detector M12 PNP/NO AM1/AP-3A84 3 M Cable for 47835	KS-729	AT158	Blade Cover Deflector Nut for 47835	KS-747
AT053	EPR Gates Handle. 110-PF-IP-C1 Black Color Ref: 261161-C1 for 47835	KS-714	AT146	Oring (Upper Disc) for 47835	KS-730	AT083	Blade Cover Trap Holder for 47835	KS-748
AT054	Schnel Extended Rotary Control LV426933 Red/Yellow Handle, IP54, for NSXM-P Switches (Gate) for 47835	KS-715	AT147	Upper Disc Soldier Set for 47835	KS-731	AT159	Transparent Non-Sound Methacrylate Cover for 47835	KS-749
AT055	Linear Screw Actuator for 47835	KS-716	AT148	Lower Part Retention of Artesa Disc for 47835	KS-732	AT085	Polycarbonate Methacrylate Cover Stopper (Plexi) Ø40/18mm M8 Blue Rubber RAL5017 for 47835	KS-750

# PARTS BREAKDOWN

ITEM	MODEL
47835	FP-ES-0095

Item No.	Description	Position	Item No.	Description	Position	Item No.	Description	Position
AT086	Self-Lubricated Bearing B11 A-12-15-16mm (Polycarbonate Methacrylate (Plexi) Cover) for 47835	KS-751	AT171	Blade Shaft Pulley Washer for 47835	KS-775	AT187	Blades Separator Ring 6 Knives for 47835	KS-793
AT087	Anti-Noise Cover Hinge Pin for 47835	KS-752	AT172	Poly-V Blade Shaft Pulley for 47835	KS-776	AT188	Blades Separator Ring 3 Knives for 47835	KS-793
AT160	Self-Lubricated Bearing for 47835	KS-753	AT173	Safety Ring A2-AISI304 Din472 Hole Ø100x3 for 47835	KS-778	AT189	Balanced Ring Arnite Blades for 47835	KS-794
AT088	Ring ØInt.8x2mm, NBR70 (Polycarbonate Methacrylate Cover Hinge (Plexi)) for 47835	KS-754	AT174	SKF Bearing 6309 2Z Balls for 47835	KS-779	AT190	Blades Closing Ring for 47835	KS-795
AT089	Metal for Inductive Detector, AISI303 Ø22mm (Polycarbonate Methacrylate Cover (Plexi)) for 47835	KS-755	AT175	Blades Axis for 47835	KS-780	AT191	Blade Fixing Blade Nut for 47835	KS-796
AT161	Self-Lubricated Bearing for 47835	KS-756	AT176	Blade Shaft Support O-Ring for 47835	KS-781	AT192	O-Ring Screw Nut Blades for 47835	KS-797
AT162	Square Axis Rotation Cover for 47835	KS-757	AT177	Blade Support Stop Bush for 47835	KS-783	AT193	Blade Closing Nut Screw for 47835	KS-798
AT163	Plate Supplement Rotation Axis Cover for 47835	KS-758	AT178	Blade Head Retainer for 47835	KS-784	AT194	Big Blade Ket for 47835	KS-799
AT164	Bearing for 47835	KS-759	AT179	O-Ring Ø92x3 Fixed Part Labyrinth for 47835	KS-785	AT195	Combined Blade Key for 47835	KS-800
AT165	Column Cover Support for 47835	KS-760	AT180	Toric Fixed Part Labyrinth for 47835	KS-786	AT120	Cutters "S" Fan, 17W 24V DC 0.71A, 3300 RPM for 47835	KS-910
AT095	Cutters "S" Fan, 26W 24V DC 1.1A, 3700 RPM for 47835	KS-761	AT181	Fixed Part Labyrinth Blades Head for 47835	KS-787	AT131	Schnel SSL1D03BD-PV Solid State Relay and Screw Socket, 16-30VDC, 1NO Output 3.5A 1-24VDC for 47835	KS-911
AT166	Blade Motor for 47835	KS-770	AT182	Artesa Emptying Cap for 47835	KS-788	AT196	Schnel Magnetothermal Circuit Breaker-Motor Guard GV2ME05 0.63-1A for 47835	KS-912
AT167	AISI303 Motor Pulley Separator Bush for 47835	KS-771	AT183	Labyrinth Cover O-Ring for 47835	KS-789	AT130	Schnel SSL1D03BD-PV Solid State Relay and Screw Socket, 16-30VDC, 1NO Output 3.5A 1-24VDC for 47835	KS-914
AT168	Motor Pulley for 47835	KS-772	AT184	Friction Ring Hexagonal Blades Support for 47835	KS-790	AT197	Schnel Magnetothermal Circuit Breaker-Motor Guard GV2ME07 1.6-2.5A for 47835	KS-917
AT169	Poly-V Belt for 47835	KS-773	AT185	Hexagonal Blades Support for 47835	KS-791	AT125	Schnel GV2ME10 Magnetothermal Circuit Breaker-Motor Guard 4-6.3A for 47835	KS-918
AT170	Engine Pulley Washer for 47835	KS-774, KS-782	AT186	Blade for 47835	KS-792	AT137	Main Switch for 47835	KS-919

# PARTS BREAKDOWN

ITEM	MODEL
47835	FP-ES-0095

Item No.	Description	Position	Item No.	Description	Position	Item No.	Description	Position
AT121	ABB Sentry SSR42 Safety Relay Module 24VDC 2NO/2NO with 1.5 Sec Delay for 47835	KS-920	AT132	Schnel Contactor LP1K0610BD 6A, TESY K, DC 24V for 47835	KS-924	AT135	Artesa Variator for 47835	KS-928
AT122	ABB Sentry SSR10 24VDC 3NO/1NC Safety Relay Module for 47835	KS-921	AT129	Schnel Diode Suppressor Module TESYS K REF. LA4KC1B LED 12/24V DC Only for 47835	KS-925	AT137	Main Switch for 47835	KS-931
AT127	Modicon M241 CPU/PLC - Schnel TM241CE24T Controller, 14 Inputs, 10 Outputs, PNP Ethernet Transistor. Program for Machine for 47835	KS-922	AT133	Block 2 Auxiliary Contacts Schnel LA1KN11PKX Pack, 1NO+1NC for 47835	KS-926	AT199	YAS GA700 GA70C4140BBA Inverter, 380>480V, EMC C3 Filter, ND:140A/75kW, HD:112A/55kW for 47835	KS-932
AT128	Schnel Inverter Mini-Contactor LP2K0601BD 3P 6A DC24V for 47835	KS-923	AT198	Blue Pom Electric Frame Skate for 47835	KS-927			