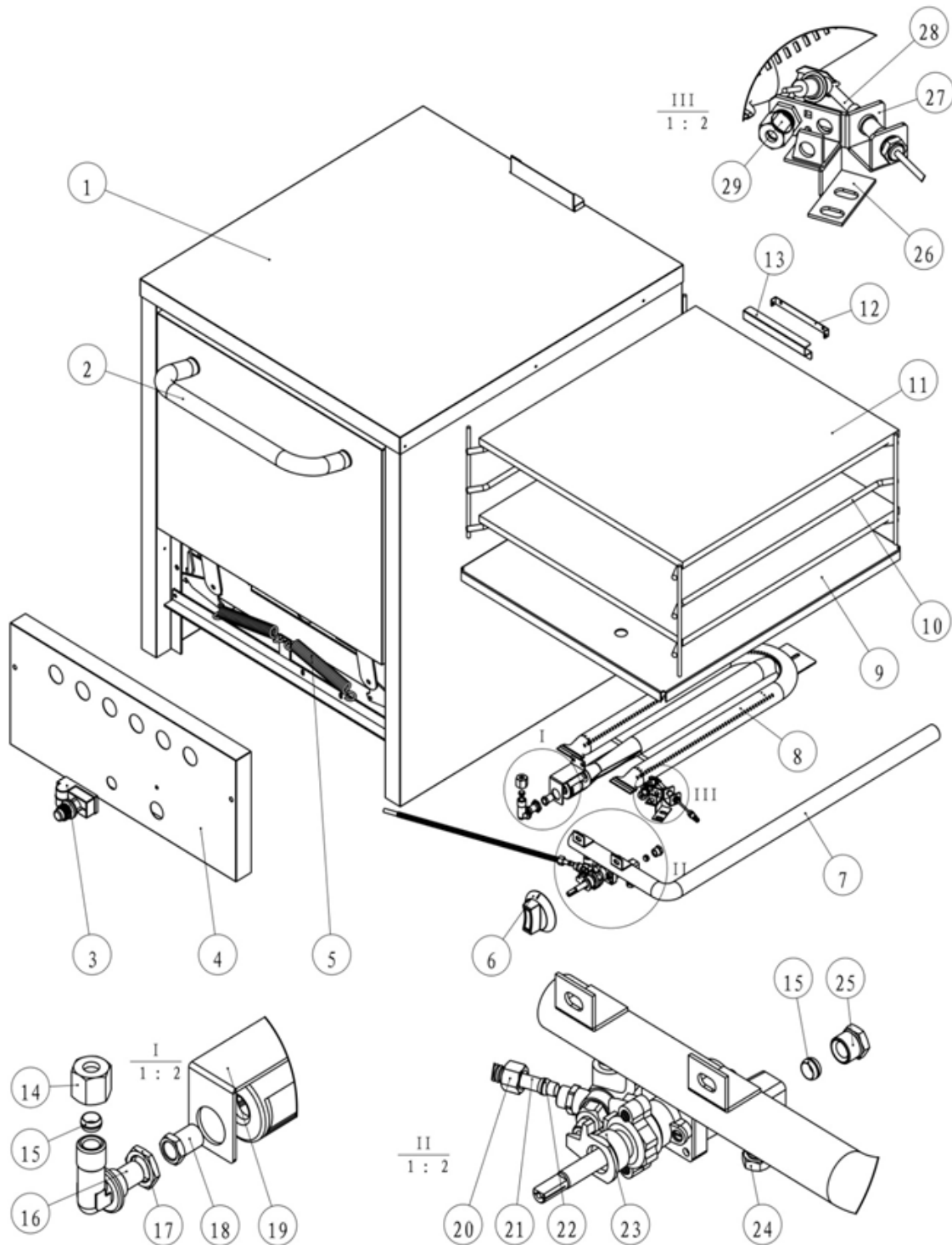


Parts Breakdown

Model PE-CN-24P19 48080



Parts Breakdown

Model PE-CN-24P19 48080

Item No.	Description	Position	Item No.	Description	Position	Item No.	Description	Position
AP777	Body Assembly for 48080	1	AP786	Baking Stone for 48080	11	AP793	Pilot Gas Inlet Pipe for 48080	21
AP778	Door Handle for 48080	2	AP787	Sensor Fixation Plate for 48080	12	AP794	Clamp for 48080	22
AP779	Igniter for 48080	3	AP788	Sensor Cover Plate for 48080	13	66209	Thermostat Valve for 48080	23
AP780	Front Control Panel for 48080	4	AP789	Screw for 48080	14	AJ605	Test Plug for 48080	24
AP781	Spring for 48080	5	AL124	Compression Ring for 48080	15	AP795	Screw for 48080	25
AJ601	Top Burner Knob for 48080	6	AP790	Nozzle Connecting Elbow for 48080	16	AP796	Pilot Bracket Fixation Plate for 48080	26
AP782	Gas Inlet Pipe for 48080	7	AJ596	Flat Nut for 48080	17	AP797	Thermocouple Bracket for 48080	27
AP783	Burner for 48080	8	AJ595	Oven Nozzle for 48080	18	66217	Thermocouple for 48080	28
AP784	Chamber Bottom Plate for 48080	9	AP791	Nozzle Bracket for 48080	19	66201	Oven Pilot (NG) for 48080	29
AP785	Oven Side Rack for 48080	10	AP792	Screw for 48080	20			