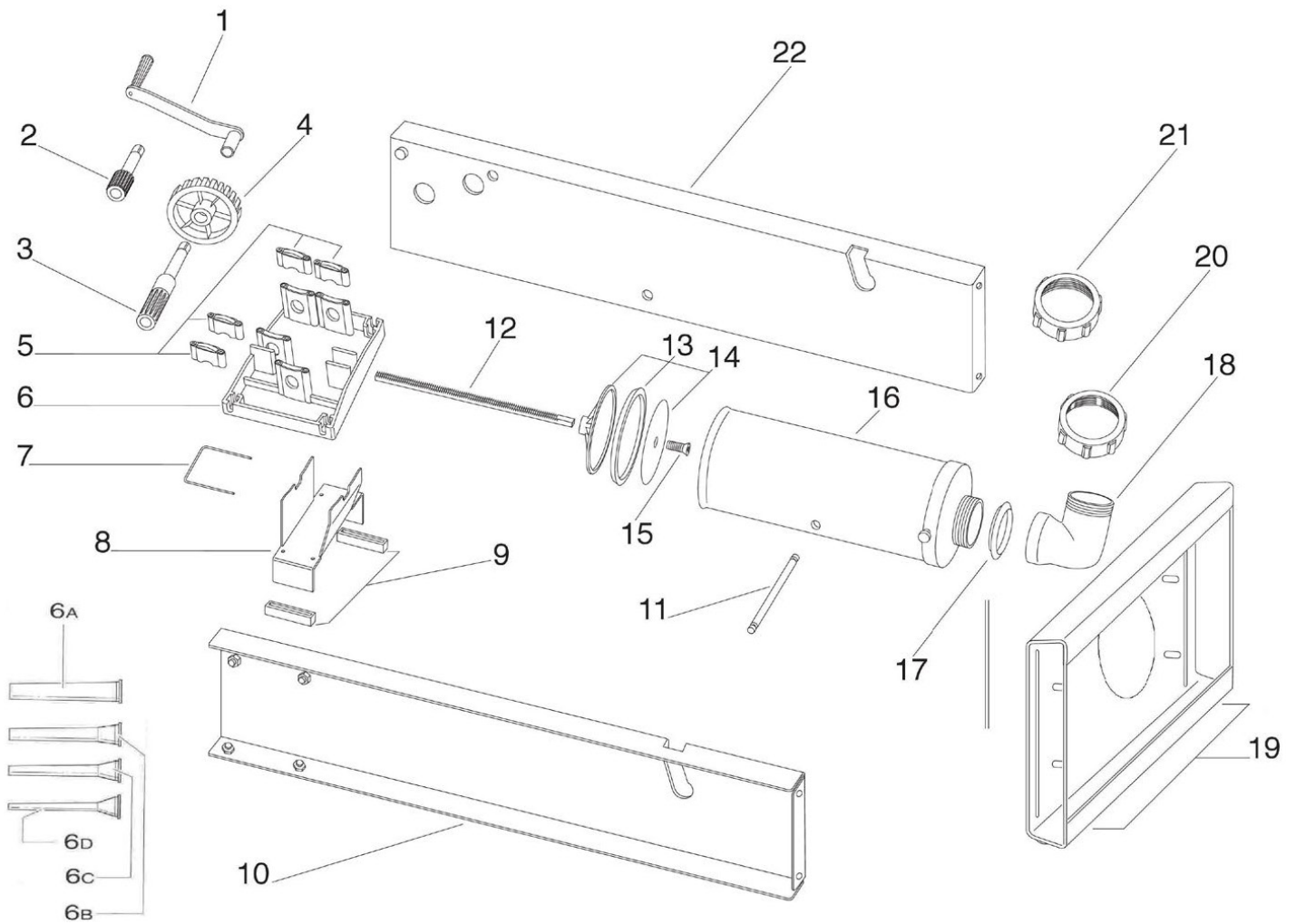


PARTS BREAKDOWN

ITEM

48168



PARTS BREAKDOWN

ITEM

48168

Item No.	Description	Position	Item No.	Description	Position	Item No.	Description	Position
AQ091	Crank for 48168	1	AQ097	Crankcase Gears Vertical Series for 48168	8	AQ105	Corner Junction Gasket Vertical Series for 48168	17
45090	Forward Motion Pin (Slow) for 48168	2	AQ098	Rubber Foot for 48168	9	AQ106	Corner Junction Vertical Series for 48168	18
AQ092	Backward Motion Pin (Fast) for 48168	3	AQ122	7kg Close Casing Vertical for 48168	10	AQ117	Inox Foot Vertical Series for 48168	19
AI869	Large Tooth Gear for 48168	4	AQ114	Crossbar Casing for 48168	11	AQ108	Aluminum Nut for 48168	20
AQ118	Gear (Fast Motion) Steel for 48168	4	AQ123	7kg Rack for 48168	12	AQ109	Ring Nut Vertical Series for 48168	21
AQ093	Couple Clamps for 48168	5	AQ102	Seal Buffer for 48168	13	AQ125	7kg Open Casing Vertical for 48168	22
AQ094	Flange Complete for 48168	6	AQ103	Buffer+Cover for 48168	14	AQ127	7kg Casing Horizontal Inox for 48168	23
AQ095	Set of Filling Tubes for 48168	6a, 6b, 6c, 6d	AQ104	Inox Screw 8x40 for 48168	15			
AQ096	Tube Lock for 48168	7	AQ124	7kg Stainless Steel Tube for 48168	16			