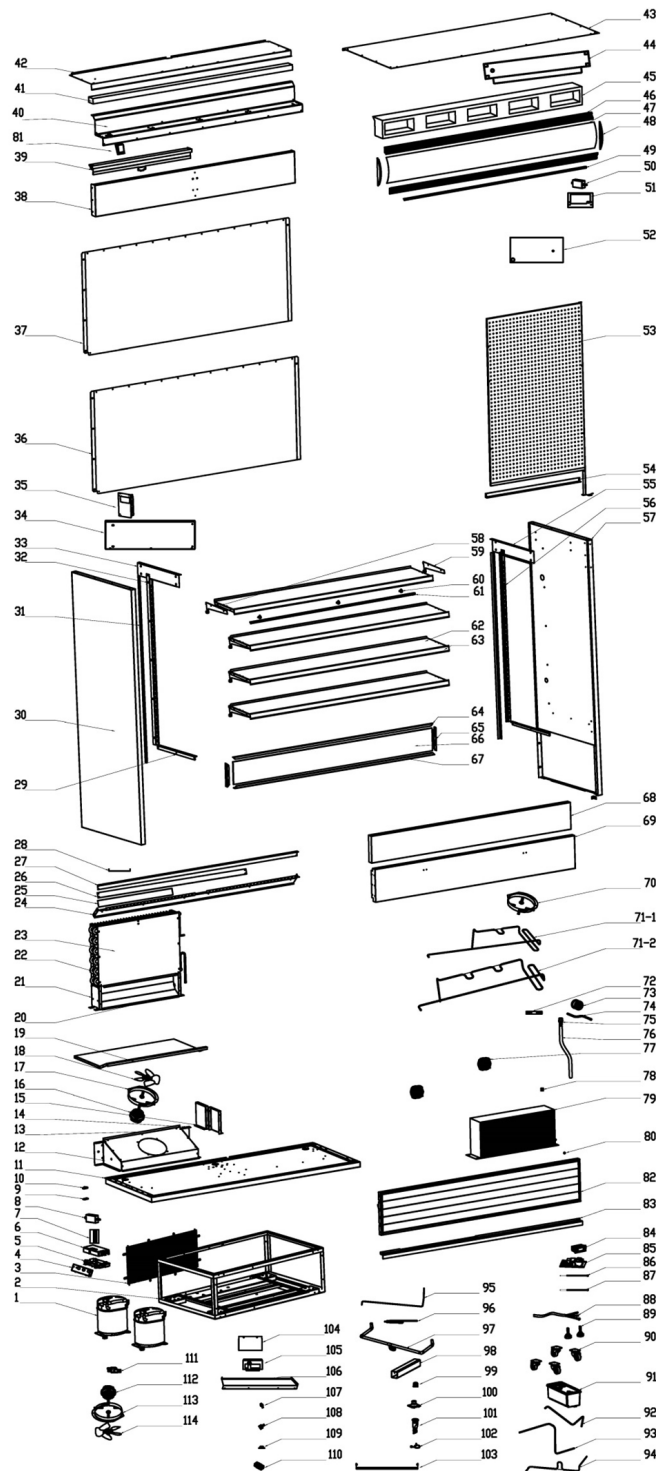


Parts Breakdown

Model RS-CN-0700-B 48266



Parts Breakdown

Model RS-CN-0700-B 48266

Item No.	Description	Position	Item No.	Description	Position	Item No.	Description	Position
AP414	Compressor (R290) for 48266	1	70120	Rear Foam Baffle for 48266	26	60655	Water Box for 48266	52
AP415	Base for 48266	2	70143	Back Upper Crosspiece for 48266	27	AQ684	Ventilated Board for 48266	53
70133	Mesh Guard in Base for 48266	3	A0865	Filter Pressure Plate for 48266	28	67662	Back Support for Board at Air Intake for 48266	54
A0860	Wiring Box for 48266	4	60610	Parry of Lower Air Intake for 48266	29	60629	Parry of Right Lining Plate for 48266	55
61167	Circuit Board Box for 48266	5	AQ661	Left Side Board for 48266	30	AQ669	Right Support Pillar of Shelf for 48266	56
60594	Cover of Circuit Board Box for 48266	6	60613	Dead Plate of Rear Foam for 48266	31	AQ670	Right Side Board for 48266	57
A0861	Cap of Juncting Box for 48266	7	AQ662	Left Support Pillar of Shelf for 48266	32	A0905	Left/Right Support Pillar of Shelf for 48266	58, 59
A0862	LED Transformer for 48266	8, 50	60615	Parry of Right Lining Plate for 48266	33	AD500	Jump Ring of LED for 48266	60
60676	Wire Clip Holder for 48266	9	AP417	Condensator Right Windshield for 48266	34	A0906	Constant Voltage Patch LED Light for 48266	61
60677	Wire Clip Cover for 48266	10	AQ677	Left Windshield of Condenser for 48266	35	A0907	General Assembly for Shelves for 48266	62
67653	Foam of Base Plate for 48266	11	AQ678	Lower Back Plate for 48266	36	67665	Price Tag Holder Black for 48266	63
60680	Left Board of Evaporator Cover for 48266	12	AQ679	Upper Back Plate for 48266	37	70151	Decorating Strip of Glass Deflector for 48266	64
70154	Evaporator Cover for 48266	13	AQ680	Upper Front Board for 48266	38	70149	Strip of Glass Deflector 2 for 48266	65
60681	Left Plate of Evaporator Motor for 48266	14	66104	Night Curtain for 48266	39	67666	Glass Deflector for 48266	66
60684	Middle Support Pillar of Air Intake for 48266	15	AQ681	Damper of Upper Air Outlet for 48266	40	60645	Strip of Glass Deflector for 48266	67
A0892	Evaporator Fan Motor for 48266	16, 77	67660	Honeycomb Panel for 48266	41	67667	PE for Lower Board for 48266	68
60641	Fan Guard for 48266	17, 70	AQ682	Cover of Upper Air Outlet for 48266	42	AQ685	Lower Front Board for 48266	69
60640	Fan Blade for 48266	18	AQ683	Upper Cover Plate for 48266	43	AP420	Right High Voltage Evaporating Pipe for 48266	71--1
AQ676	Plate of Left/Right Air Intake for 48266	19	A0902	The Left of the Evaporator Water Box for 48266	44	AP421	Left High Voltage Evaporating Pipe for 48266	71--2
67654	Evaporator Ventilation Damper for 48266	20	60698	Lining Foam for 48266	45	A0890	Drainage Pipe Bracket for 48266	72
60604	Evaporator Holder for 48266	21	70141	Lampshade Frame for 48266	46	70106	Dry Filter for 48266	73
AP416	Evaporator for 48266	22	70142	Lampshade for 48266	47	AP422	Joint Pipe of Dry Filter for 48266	74
67655	Evaporator Damper for 48266	23	60628	Holder of Lampshade Frame for 48266	48	AL576	Drain Joint for 48266	75
67656	Evaporator Wind Screen for 48266	24	A0903	Constant Voltage Patch LED Advertising Board Light for 48266	49	60668	Drain Pipe for 48266	76
70153	Lower Front Baffle Assembly for 48266	25	68392	Water Box Bracket for 48266	51	60633	Side Plate Connector for 48266	78

Parts Breakdown

Model RS-CN-0700-B 48266

Item No.	Description	Position	Item No.	Description	Position	Item No.	Description	Position
AP423	Condenser for 48266	79	67651	Water Connection Box Component for 48266	91	60652	High Pressure Evaporation Tube Pressure Plate for 48266	103
68301	Strong Magnet for 48266	80	AP425	Connecting Tube for Right Condenser and Dry Filter for 48266	92	AP430	Baffle Board of Evaporator Motor for 48266	104
AR485	Switch (Higher Amp) for 48266	81	AP426	Connecting Tube for Left Condenser and Dry Filter for 48266	93	AP403	Switch Display Bracket for 48266	105
AQ686	Window Shutter for 48266	82	AP427	Right Air Return Duct for 48266	94	AP431	Top Baffle Board of Condenser for 48266	106
AQ687	Lower Front Crosspiece for 48266	83	AP428	Left Air Return Duct for 48266	95	AL306	Pagoda Water Mouth-Processing for 48266	107
67648	Temperature Display for 48266	84	AP429	Tee Joint for 48266	96	68398	Copper Connection for 48266	108
AP424	Main Circuit Board for 48266	85	A0888	PVC Pipe for 48266	97	60669	Pressing Plate of Dry Filter for 48266	109
60666	Temperature Probe for 48266	86	60590	PVC Trucking for 48266	98	AP432	Wago Wire Connector for 48266	110
A0887	Defrost Probe for 48266	87	60670	PPR Tube Strap for 48266	99	AP433	American Plug for 48266	111
A0911	Power Cord for 48266	88	79304	Pipe for Evaporated Water for 48266	100	70111	Fan Motor for 48266	112
60672	Feet for 48266	89	A0889	Water Pipe for 48266	101	60932	Fan Guard for 48266	113
AL357	Castor for 48266	90	AL376	Circlip for 48266	102	60933	Fan Blade for 48266	114