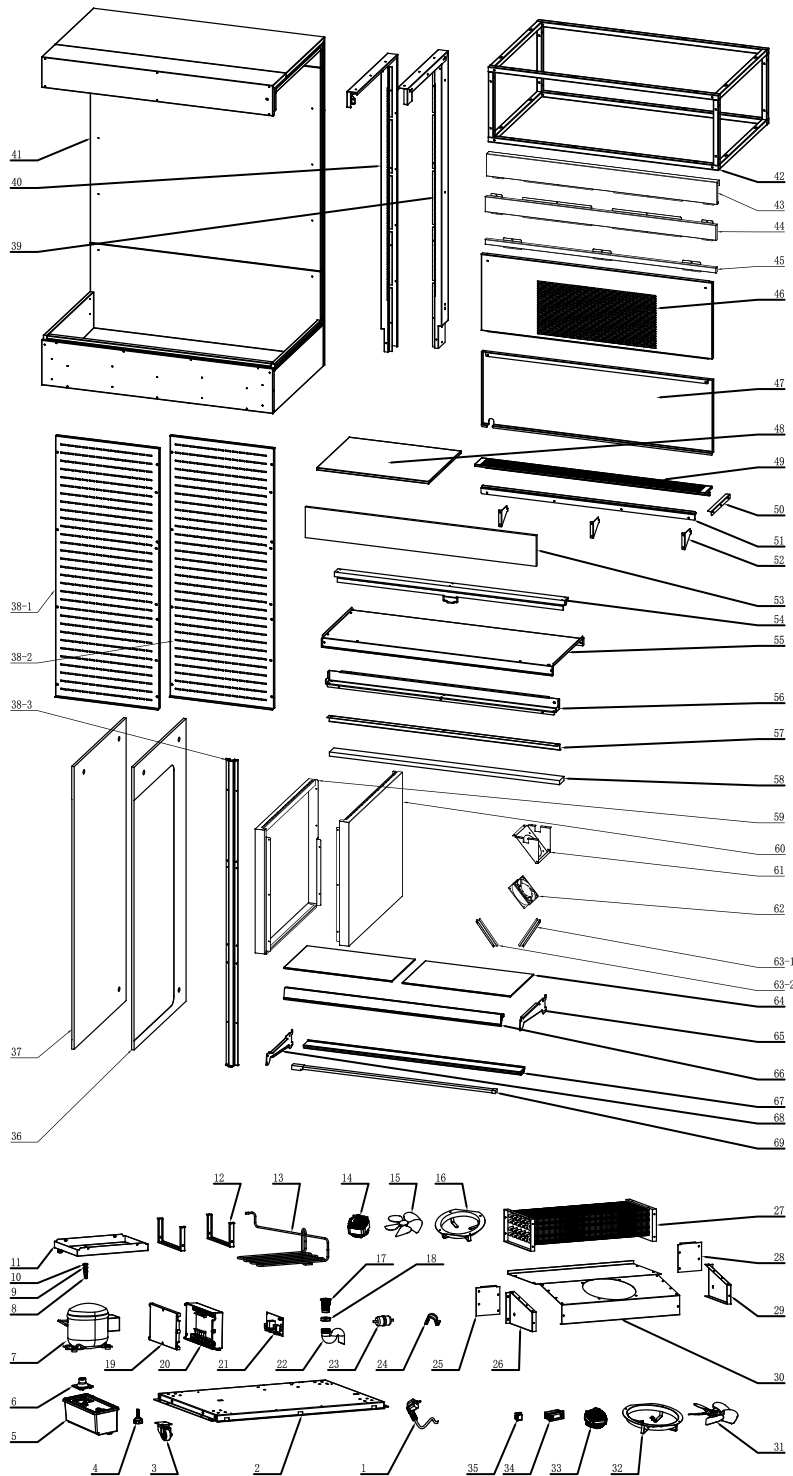


Parts Breakdown

Model RS-CN-1500 48379



Parts Breakdown

Model RS-CN-1500 48379

| Item No. | Description | Position | Item No. | Description | Position | Item No. | Description | Position |
|----------|--|----------|----------|--|----------|----------|--|----------|
| AR422 | Power Line for 48379 | 1 | AR349 | Evaporator Left Fixed Plate for 48379 | 26 | AR443 | Base Upper Cover for 48379 | 48 |
| AR423 | Base Plate for 48379 | 2 | AR350 | Evaporator for 48379 | 27 | AR444 | Intake Plate for 48379 | 49 |
| AR333 | Castor for 48379 | 3 | AR431 | Evaporator Right Air Deflector for 48379 | 28 | AR371 | Side Fixed Plate for Base Cover for 48379 | 50 |
| AR334 | Adjustable Foot for 48379 | 4 | AR352 | Evaporator Right Fixed Plate for 48379 | 29 | AR445 | Front Upper Decorative Fixed for 48379 | 51 |
| AR424 | Water Evaporation Assembly for 48379 | 5 | AR353 | Evaporator Motor Fixed Plate for 48379 | 30 | AR373 | Front Fixed Plate for Base Cover for 48379 | 52 |
| AR336 | Water Box Trachea for 48379 | 6 | AR354 | Fan for 48379 | 31 | AR446 | Windshield for 48379 | 53 |
| AR425 | Compressor for 48379 | 7 | AR355 | Flange for 48379 | 32 | AR447 | Curtain for 48379 | 54 |
| AR338 | Direct Link + Gasket for 48379 | 8, 9 | AR432 | Motor for 48379 | 33 | AR448 | Top Plate for 48379 | 55 |
| AR339 | Nut for 48379 | 10 | AR356 | Display for 48379 | 34 | AR449 | Curtain Fixed Plate for 48379 | 56 |
| AR426 | Water Tray for 48379 | 11 | AL834 | Switch for 48379 | 35 | AR450 | Honeycomb Fixed Plate for 48379 | 57 |
| AR427 | Water Tray Support for 48379 | 12 | AR357 | Left Panel Assembly for 48379 | 36 | AR451 | Honeycomb Panel for 48379 | 58 |
| AR341 | High Pressure Tube for 48379 | 13 | AR358 | Right Panel Assembly for 48379 | 37 | AR452 | Left Side Plate for 48379 | 59 |
| AR428 | Motor for 48379 | 14 | AR433 | Left Ventilating Board for 48379 | 38-1 | AR453 | Right Side Plate for 48379 | 60 |
| AR343 | Fan for 48379 | 15 | AR434 | Right Ventilating Board for 48379 | 38-2 | AR382 | Fan Fixed Plate for 48379 | 61 |
| AR344 | Flange for 48379 | 16 | AR435 | Ventilating Board Support for 48379 | 38-3 | AR383 | Fan Motor for 48379 | 62 |
| AL819 | Water Leakage Pipe Joint for 48379 | 17 | AR360 | Shelf Left Fixed Plate Assembly for 48379 | 39 | AR384 | Right Air Deflector for 48379 | 63-1 |
| AR345 | Nut for 48379 | 18 | AR361 | Shelf Right Fixed Plate Assembly for 48379 | 40 | AR385 | Left Air Deflector for 48379 | 63-2 |
| AL830 | Cover of Assembly Box for 48379 | 19 | AR436 | Foaming Assembly for 48379 | 41 | AR454 | Glass Shelf for 48379 | 64 |
| AL831 | Base of Assembly Box for 48379 | 20 | AR437 | Base Frame for 48379 | 42 | AR387 | Shelf Left Panel for 48379 | 65 |
| AR429 | Digital Control for 48379 | 21 | AR438 | Front Upper Decorative Plate for 48379 | 43 | AR455 | Shelf Front Beam for 48379 | 66 |
| AL817 | Water Leakage Pipe for 48379 | 22 | AR439 | Front Middle Decorative Plate for 48379 | 44 | AR456 | Shelf Back Beam for 48379 | 67 |
| AR396 | Dry Filter for 48379 | 23 | AR440 | Decorative Plate for 48379 | 45 | AR390 | Shelf Right Panel for 48379 | 68 |
| AR347 | Dry Filter Plate for 48379 | 24 | AR441 | Front Base Cover for 48379 | 46 | AR457 | Light for 48379 | 69 |
| AR430 | Evaporator Left Wind Deflector for 48379 | 25 | AR442 | Back Base Cover for 48379 | 47 | | | |