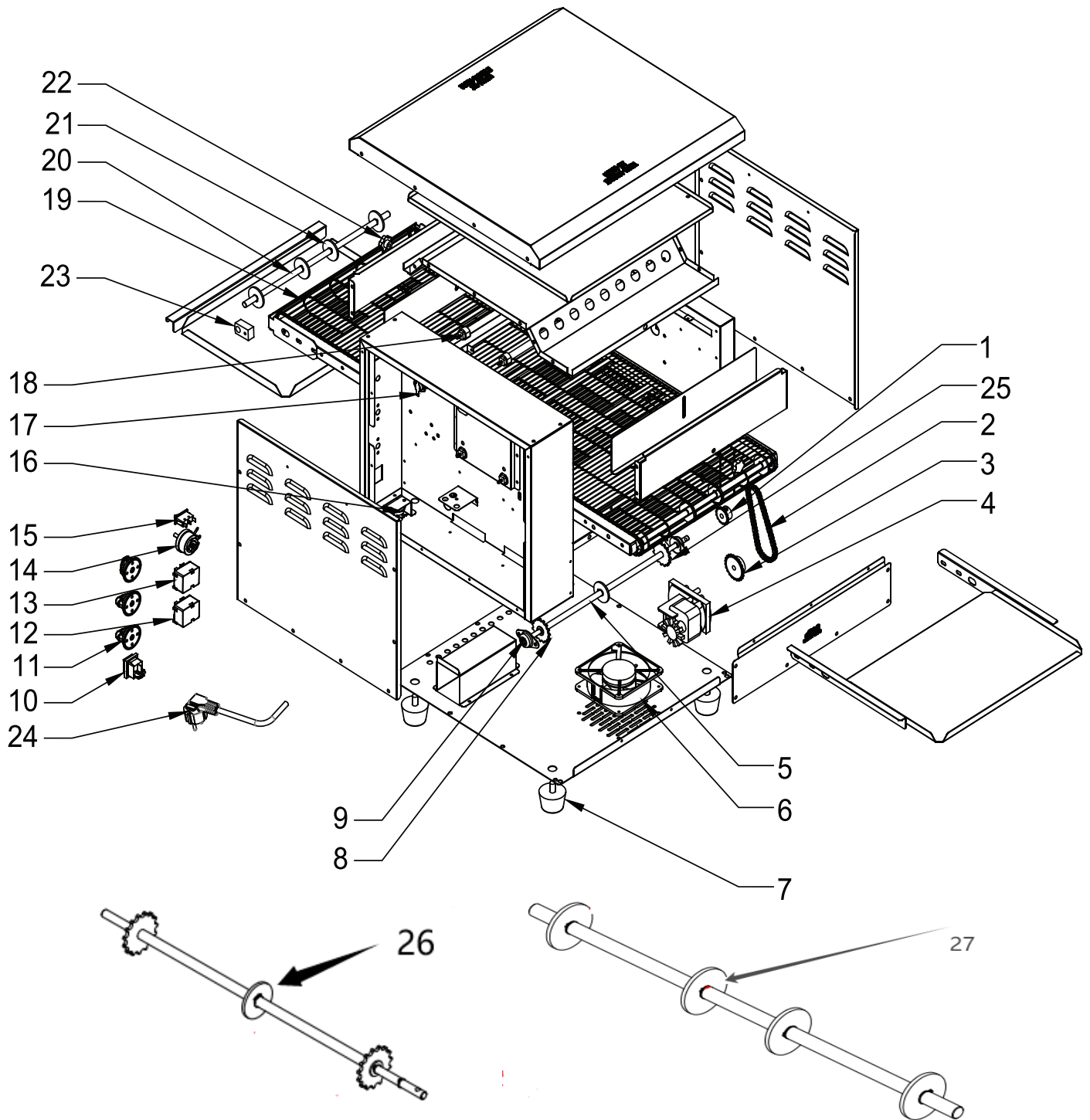


Parts Breakdown

Model **CE-CN-0356** 48387



Parts Breakdown

Model CE-CN-0356 48387

Item No.	Description	Position	Item No.	Description	Position	Item No.	Description	Position
AL419	Shaft Sprocket for 48387	1	AL402	Top Thermostat for 48387	13	AQ444	Conveyor Belt Gear-Profiled Hole for 48387	25
AL418	Chain for 48387	2	AL401	Speed Control for 48387	14	AQ445	Assembled Shaft (Middle) for 48387	26
AL417	Motor Sprocket for 48387	3	AL400	Speed Switch for 48387	15	AQ446	Assembled Shaft (Front or Rear) for 48387	27
AL416	Motor for 48387	4	AL398	Thermal Cut Out for 48387	16	AL390	Lid for 48387	
AL413	Active Shaft for 48387	5	AL397	Fan Switch for 48387	17	AL395	Tray for 48387	
AL412	Fan for 48387	6	AL396	Element for 48387	18	AL399	Front Panel for 48387	
AL410	Feet for 48387	7	AL394	Conveyor for 48387	19	AL408	Bushing for 48387	
AL407	Conveyor Belt Gear for 48387	8	AL393	Driven Shaft for 48387	20	AL411	Bottom Plate for 48387	
AL406	Bearing for 48387	9	AL392	Wheel for 48387	21	AL414	Tray for 48387	
AL405	Switch for 48387	10	AL391	Handle for 48387	22	AL415	Back Plate for 48387	
AL404	Knob for 48387	11	AQ443	Shaft Sleeve for 48387	23	AL420	Adjust the Baffle for 48387	
AL403	Bottom Thermostat for 48387	12	AL409	Plug and Lead for 48387	24	AL421	Side Panel for 48387	