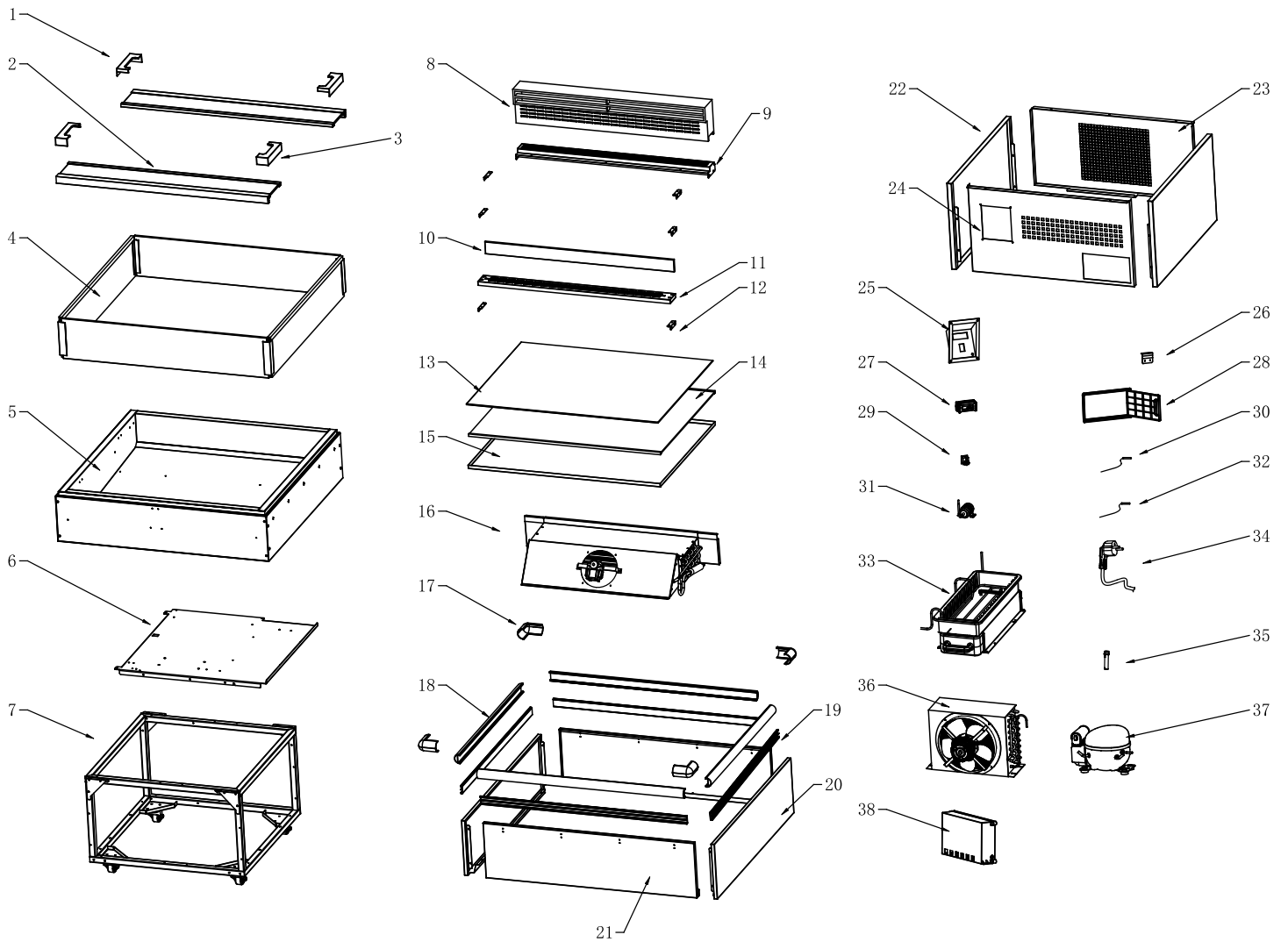


Parts Breakdown

Model RE-CN-0900C 48570



Parts Breakdown

Model RE-CN-0900C 48570

Item No.	Description	Position	Item No.	Description	Position	Item No.	Description	Position
AU120	Top Glass Left Cover for 48570	1	AU140	Light Guide Plate for 48570	14	AU160	Filter Connection for 48570	31
AU121	Top Glass Front Edge Strip for 48570	2	AU141	LED for 48570	14	AU161	Filter Pressing Plate for 48570	31
AU122	Front and Rear Glass Edge Strip for 48570	2	AU142	Light Guide Plate Light Bar Fastener for 48570	14	AR274	Overheating Probe for 48570	32
AU123	Upper Windshield for 48570	2	AU143	Light Guide Plate Placement Plate for 48570	15	AU162	High Pressure Vaporized Copper Pipe for 48570	33
AU124	Top Glass Right Cover for 48570	3	AU144	Evaporator Fixed Plate for 48570	16	AT796	Water Box for 48570	33
AU125	Right Angle Edge Strip for 48570	4	AU145	Evaporator Fixed Plate Left Plate for 48570	16	AU163	Paper Water Curtain for 48570	33
AU126	Left and Right Glass Edge Strip for 48570	4	AU146	Evaporator Fixed Plate Right Plate for 48570	16	AT797	Cover Plate for 48570	33
AU127	Front and Rear Windshield for 48570	4	AU147	Evaporator Left Windshield for 48570	16	AT798	Water Storage Box for 48570	33
AU128	Left and Right Windshield for 48570	4	AU148	Evaporator Right Windshield for 48570	16	AT799	Door Status Sensor Proximity Switch for 48570	33
AU129	Box Foam Assembly for 48570	5	AU149	Evaporator for 48570	16	AT800	Water Box Left Fixed Plate for 48570	33
AT776	Drain Pipe Connection for 48570	5	AU150	Evaporator Motor for 48570	16	AT801	Water Box Cover Fixing Plate for 48570	33
AL817	Water Leakage Pipe for 48570	5	AU151	Frame Edge Strip Sleeve for 48570	17	AT802	Water Box Cover Plate for 48570	33
AU130	Drain Pipe Circlip for 48570	5	AU152	Frame Edge Strip for 48570	18	AT795	Water Storage Box Baffle for 48570	33
AR345	Nut for 48570	5	AU153	Frame Edge Strip Slot for 48570	19	AT816	American Semi-Finished Power Cord for 48570	34
AU131	Base Plate for 48570	6	AU154	Side Top Frame for 48570	20	AT803	Water Level Monitoring Pipe for 48570	35
AU132	Chassis Part for 48570	7	AU155	Front and Back Top Frame for 48570	21	AT804	Water Level Monitoring Diversion Device for 48570	35
AR333	Castor for 48570	7	AU156	Side Lower Frame for 48570	22	AT805	Water Level Monitoring Sleeve for 48570	35
AR526	Caster for 48570	7	AU157	Front Lower Frame for 48570	23	AL812	Condenser for 48570	36
AT813	Box Base Left Connector for 48570	7	AU158	Rear Lower Frame for 48570	24	AR527	Motor for 48570	36
AT814	Box Base Right Connector for 48570	7	AT792	Switch Panel for 48570	25	AL827	Flange for 48570	36
AU133	Air Outlet Deflector for 48570	8	AU159	Frame Support for 48570	26	AL828	Condenser Fan for 48570	36
AU134	Air Outlet for 48570	9	AR356	Display for 48570	27	AT806	Compressor for 48570	37
AU135	Baffle Glass for 48570	10	AT787	Water Box Door for 48570	28	AT809	Digital Control for 48570	38
AU136	Air Intake for 48570	11	AT788	Water Box Door Body for 48570	28	AU164	Switch for 48570	38
AU137	Baffle Glass Fastener for 48570	11	AL834	Switch for 48570	29	AT807	Junction Box Bottom for 48570	38
AU138	Light Guide Plate Support for 48570	12	AR273	Temp Probe for 48570	30	AT808	Junction Box Cover for 48570	38
AU139	Plate Glass for 48570	13	AL818	Dry Filter for 48570	31			