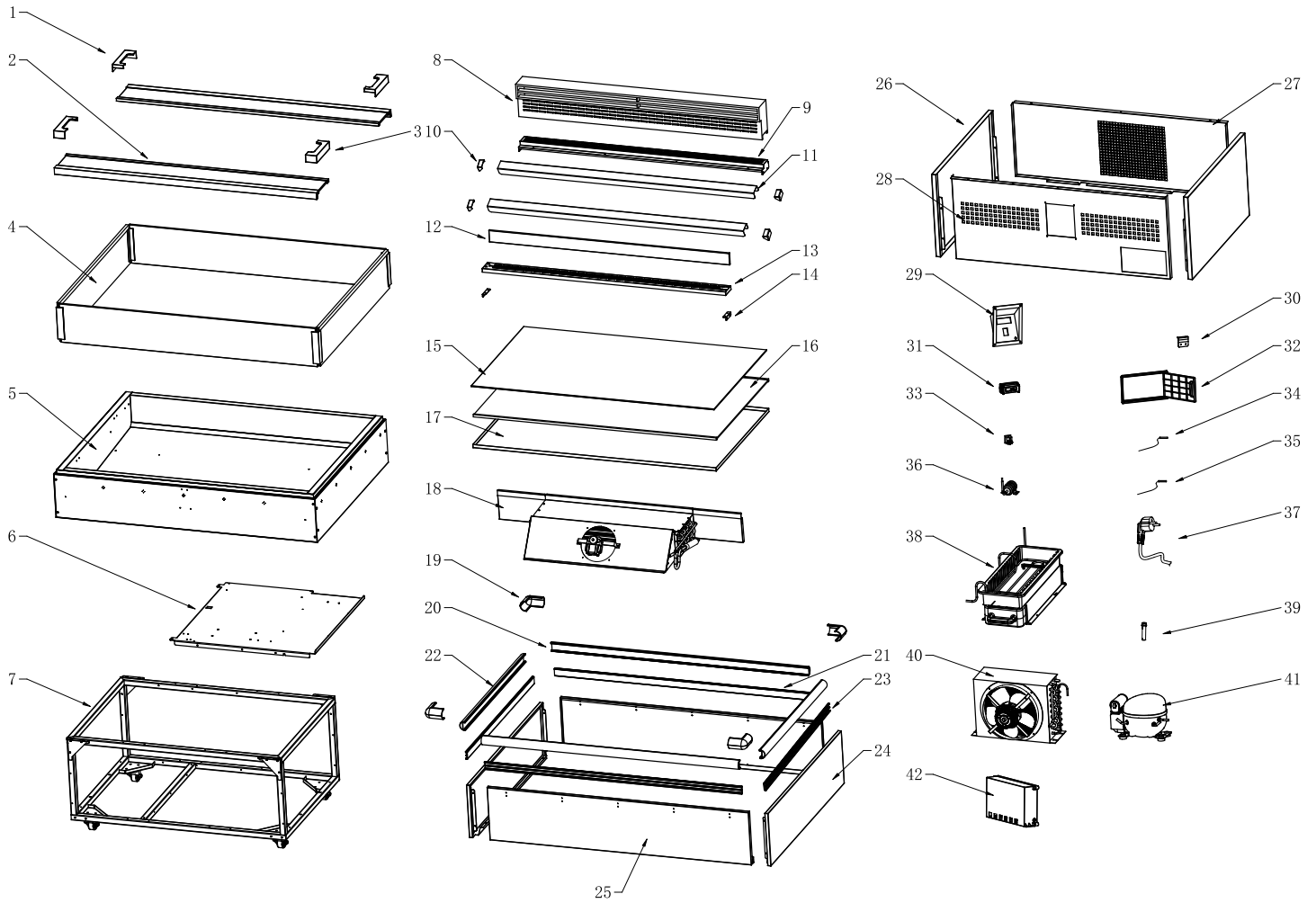


Parts Breakdown

Model RE-CN-1200C 48571



Parts Breakdown

Model RE-CN-1200C 48571

Item No.	Description	Position	Item No.	Description	Position	Item No.	Description	Position
AU120	Top Glass Left Cover for 48571	1	AU177	Baffle Glass Fastener for 48571	13	AR356	Display for 48571	31
AU165	Top Glass Front Edge Strip for 48571	2	AU138	Light Guide Plate Support for 48571	14	AT787	Water Box Door for 48571	32
AU166	Front and Rear Glass Edge Strip for 48571	2	AU178	Plate Glass for 48571	15	AT788	Water Box Door Body for 48571	32
AU167	Upper Windshield for 48571	2	AU179	Light Guide Plate for 48571	16	AL834	Switch for 48571	33
AU124	Top Glass Right Cover for 48571	3	AU180	LED for 48571	16	AR273	Temp Probe for 48571	34
AU125	Right Angle Edge Strip for 48571	4	AU181	Light Guide Plate Light Bar Fastener for 48571	16	AR274	Overheating Probe for 48571	35
AU126	Left and Right Glass Edge Strip for 48571	4	AU182	Light Guide Plate Placement Plate for 48571	17	AL818	Dry Filter for 48571	36
AU168	Front and Rear Windshield for 48571	4	AU144	Evaporator Fixed Plate for 48571	18	AU160	Filter Connection for 48571	36
AU128	Left and Right Windshield for 48571	4	AU145	Evaporator Fixed Plate Left Plate for 48571	18	AR347	Dry Filter Plate for 48571	36
AU169	Box Foam Assembly for 48571	5	AU146	Evaporator Fixed Plate Right Plate for 48571	18	AT816	American Semi-Finished Power Cord for 48571	37
AT776	Drain Pipe Connection for 48571	5	AU183	Evaporator Left Windshield for 48571	18	AU162	High Pressure Vaporized Copper Pipe for 48571	38
AL817	Water Leakage Pipe for 48571	5	AU184	Evaporator Right Windshield for 48571	18	AT796	Water Box for 48571	38
AU130	Drain Pipe Circlip for 48571	5	AU149	Evaporator for 48571	18	AU163	Paper Water Curtain for 48571	38
AR345	Nut for 48571	5	AU150	Evaporator Motor for 48571	18	AT797	Cover Plate for 48571	38
AU131	Base Plate for 48571	6	AU151	Frame Edge Strip Sleeve for 48571	19	AT798	Water Storage Box for 48571	38
AU170	Chassis Part for 48571	7	AU185	Frame Edge Strip for 48571	20	AT799	Magnetic Door Contact for 48571	38
AR333	Castor for 48571	7	AU186	Frame Edge Strip Slot for 48571	21	AT800	Water Box Left Fixed Plate for 48571	38
AR526	Caster for 48571	7	AU152	Frame Edge Strip for 48571	22	AT801	Water Box Right Fixed Plate for 48571	38
AT813	Box Base Left Connector for 48571	7	AU153	Frame Edge Strip Slot for 48571	23	AT802	Water Box Pressing Plate for 48571	38
AT814	Box Base Right Connector for 48571	7	AU154	Side Top Frame for 48571	24	AT795	Water Storage Box Baffle for 48571	38
AU171	Air Outlet Deflector for 48571	8	AU187	Front and Back Top Frame for 48571	25	AT803	Water Level Monitoring Pipe for 48571	39
AU172	Air Outlet for 48571	9	AU156	Side Lower Frame for 48571	26	AT804	Water Level Monitoring Diversion Device for 48571	39
AU173	Light Guide Plate Support Fastener for 48571	10	AU188	Front Lower Frame for 48571	27	AT805	Water Level Monitoring Sleeve for 48571	39
AU174	Light Guide Plate Support for 48571	11	AU189	Rear Lower Frame for 48571	28	AL812	Condenser for 48571	40
AU175	Baffle Glass for 48571	12	AT792	Switch Panel for 48571	29	AR527	Motor for 48571	40
AU176	Air Intake for 48571	13	AU159	Frame Support for 48571	30	AL827	Flange for 48571	40

Parts Breakdown

Model RE-CN-1200C 48571

Item No.	Description	Position	Item No.	Description	Position	Item No.	Description	Position
AL828	Condenser Fan for 48571	40	AT809	Digital Control for 48571	42	AT807	Junction Box Bottom for 48571	42
AT806	Compressor for 48571	41	AU164	Switch for 48571	42	AT808	Junction Box Cover for 48571	42