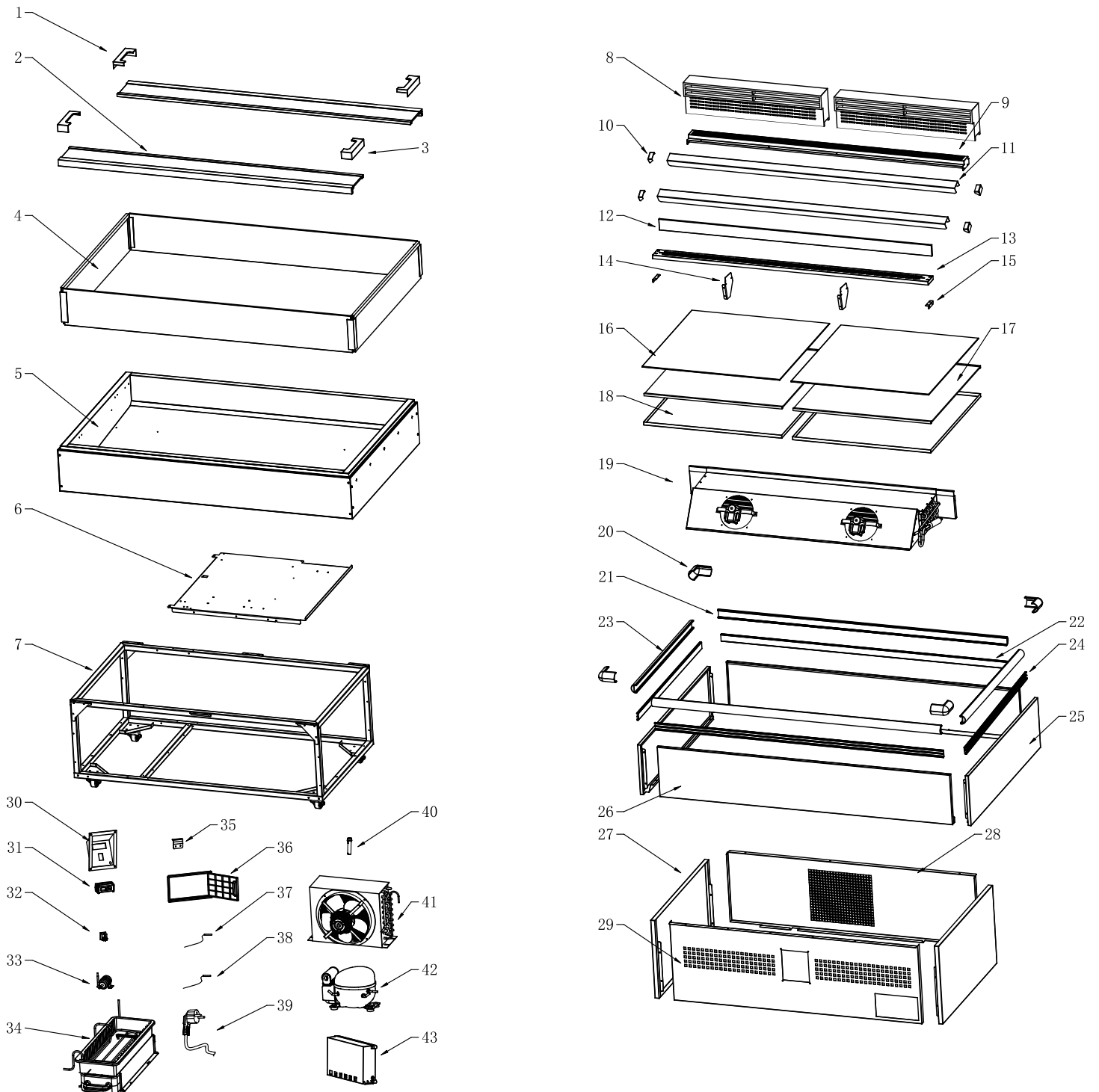


Parts Breakdown

Model RE-CN-1500C 48572



Parts Breakdown

Model RE-CN-1500C 48572

Item No.	Description	Position	Item No.	Description	Position	Item No.	Description	Position
AU120	Top Glass Left Cover for 48572	1	AU201	Air Intake for 48572	13	AT792	Switch Panel for 48572	30
AU190	Top Glass Front Edge Strip for 48572	2	AU202	Baffle Glass Fastener for 48572	13	AR356	Display for 48572	31
AU191	Front and Rear Glass Edge Strip for 48572	2	AU203	Air Intake Support for 48572	14	AL834	Switch for 48572	32
AU192	Upper Windshield for 48572	2	AU138	Light Guide Plate Support for 48572	15	AL818	Dry Filter for 48572	33
AU124	Top Glass Right Cover for 48572	3	AU204	Plate Glass for 48572	16	AU160	Filter Connection for 48572	33
AU125	Right Angle Edge Strip for 48572	4	AU205	Light Guide Plate for 48572	17	AR347	Dry Filter Plate for 48572	33
AU126	Left and Right Glass Edge Strip for 48572	4	AU206	LED for 48572	17	AU162	High Pressure Vaporized Copper Pipe for 48572	34
AU193	Front and Rear Windshield for 48572	4	AU207	Light Guide Plate Light Bar Fastener for 48572	17	AT796	Water Box for 48572	34
AU128	Left and Right Windshield for 48572	4	AU208	Light Guide Plate Placement Plate for 48572	18	AU163	Paper Water Curtain for 48572	34
AU194	Box Foam Assembly for 48572	5	AU209	Evaporator Fixed Plate for 48572	19	AT797	Cover Plate for 48572	34
AT776	Drain Pipe Connection for 48572	5	AU145	Evaporator Fixed Plate Left Plate for 48572	19	AT798	Water Storage Box for 48572	34
AL817	Water Leakage Pipe for 48572	5	AU146	Evaporator Fixed Plate Right Plate for 48572	19	AT799	Magnetic Door Contact for 48572	34
AU130	Drain Pipe Circlip for 48572	5	AU147	Evaporator Left Windshield for 48572	19	AT800	Water Box Left Fixing Plate for 48572	34
AR345	Nut for 48572	5	AU148	Evaporator Right Windshield for 48572	19	AT801	Water Box Cover Fixing Plate for 48572	34
AU131	Base Plate for 48572	6	AU210	Evaporator for 48572	19	AT802	Water Box Cover Plate for 48572	34
AU195	Chassis Part for 48572	7	AU150	Evaporator Motor for 48572	19	AT795	Water Storage Box Baffle for 48572	34
AR333	Castor for 48572	7	AU151	Frame Edge Strip Sleeve for 48572	20	AU159	Frame Support for 48572	35
AR526	Caster for 48572	7	AU211	Frame Edge Strip for 48572	21	AT787	Water Box Door for 48572	36
AU196	Box Base Connector for 48572	7	AU212	Frame Edge Strip Slot for 48572	22	AT788	Water Box Door Body for 48572	36
AT813	Box Base Left Connector for 48572	7	AU152	Frame Edge Strip for 48572	23	AR273	Temp Probe for 48572	37
AT814	Box Base Right Connector for 48572	7	AU153	Frame Edge Strip Slot for 48572	24	AR274	Overheating Probe for 48572	38
AU197	Air Outlet Deflector for 48572	8	AU154	Side Top Frame for 48572	25	AT816	American Semi-Finished Power Cord for 48572	39
AU198	Air Outlet for 48572	9	AU213	Front and Back Top Frame for 48572	26	AT803	Water Level Monitoring Pipe for 48572	40
AU173	Light Guide Plate Support Fastener for 48572	10	AU156	Side Lower Frame for 48572	27	AT804	Water Level Monitoring Diversion Device for 48572	40
AU199	Light Guide Plate Support for 48572	11	AU214	Front Lower Frame for 48572	28	AT805	Water Level Monitoring Sleeve for 48572	40
AU200	Baffle Glass for 48572	12	AU215	Rear Lower Frame for 48572	29	AL812	Condenser for 48572	41

Parts Breakdown

Model *RE-CN-1500C* 48572

Item No.	Description	Position	Item No.	Description	Position	Item No.	Description	Position
AR527	Motor for 48572	41	AU216	Compressor for 48572	42	AT807	Junction Box Bottom for 48572	43
AL827	Flange for 48572	41	AT809	Digital Control for 48572	43	AT808	Junction Box Cover for 48572	43
AL828	Condenser Fan for 48572	41	AU164	Switch for 48572	43			