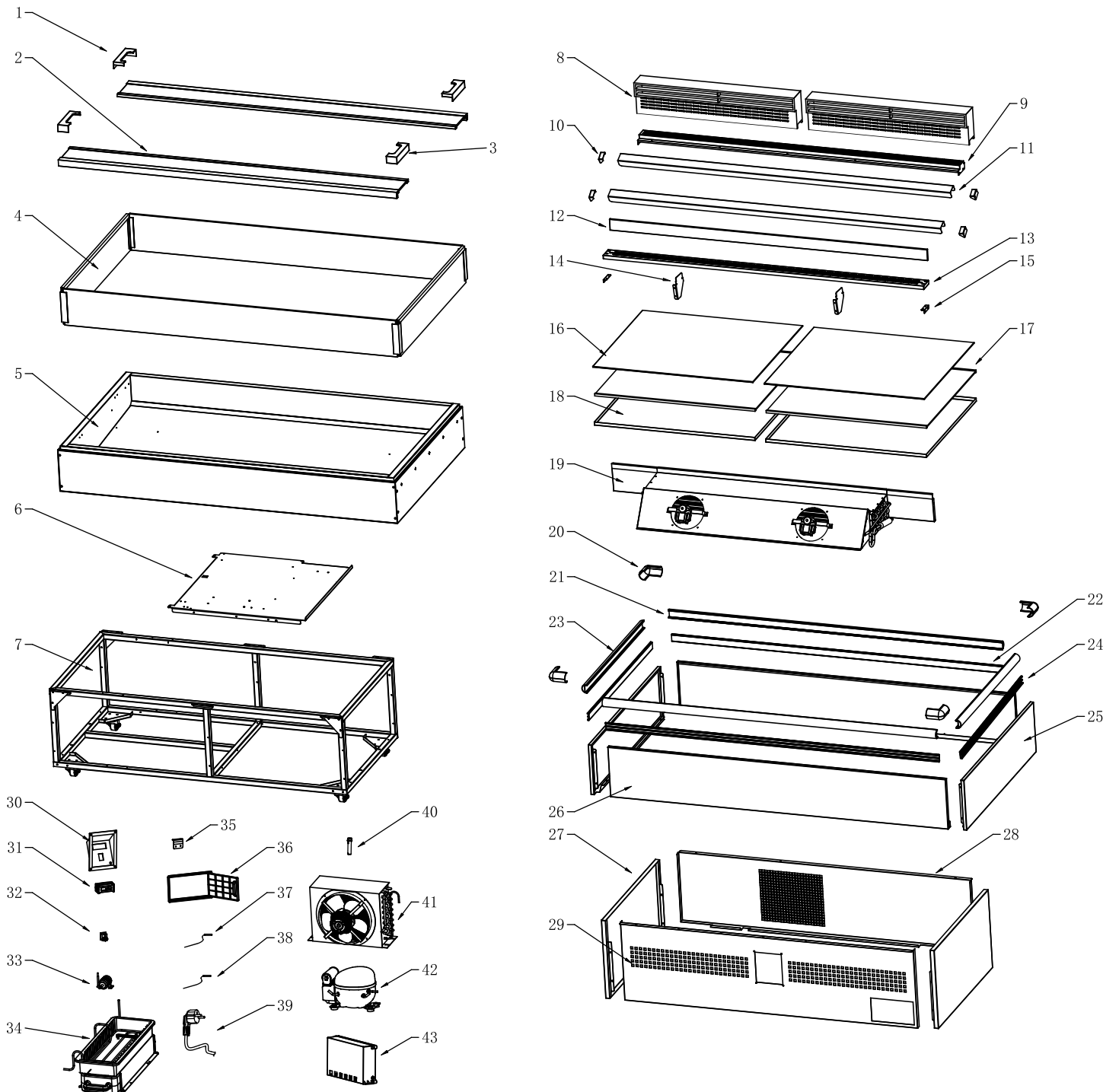


Parts Breakdown

Model RE-CN-1800C 48573



Parts Breakdown

Model RE-CN-1800C 48573

Item No.	Description	Position	Item No.	Description	Position	Item No.	Description	Position
AU120	Top Glass Left Cover for 48573	1	AU203	Air Intake Support for 48573	14	AU160	Filter Connection for 48573	33
AU217	Top Glass Front Edge Strip for 48573	2	AU138	Light Guide Plate Support for 48573	15	AR347	Dry Filter Plate for 48573	33
AU218	Front and Rear Glass Edge Strip for 48573	2	AU229	Plate Glass for 48573	16	AU162	High Pressure Vaporized Copper Pipe for 48573	34
AU219	Upper Windshield for 48573	2	AU230	Light Guide Plate for 48573	17	AT796	Water Box for 48573	34
AU124	Top Glass Right Cover for 48573	3	AU231	LED for 48573	17	AU163	Paper Water Curtain for 48573	34
AU125	Right Angle Edge Strip for 48573	4	AU232	Light Guide Plate Light Bar Fastener for 48573	17	AT797	Cover Plate for 48573	34
AU126	Left and Right Glass Edge Strip for 48573	4	AU233	Light Guide Plate Placement Plate for 48573	18	AT798	Water Storage Box for 48573	34
AU220	Front and Rear Windshield for 48573	4	AU209	Evaporator Fixed Plate for 48573	19	AT799	Magnetic Door Contact for 48573	34
AU128	Left and Right Windshield for 48573	4	AU145	Evaporator Fixed Plate Left Plate for 48573	19	AT800	Water Box Left Fixing Plate for 48573	34
AU221	Box Foam Assembly for 48573	5	AU146	Evaporator Fixed Plate Right Plate for 48573	19	AT801	Water Box Cover Fixing Plate for 48573	34
AT776	Drain Pipe Connection for 48573	5	AU183	Evaporator Left Windshield for 48573	19	AT802	Water Box Cover Plate for 48573	34
AL817	Water Leakage Pipe for 48573	5	AU184	Evaporator Right Windshield for 48573	19	AT795	Water Storage Box Baffle for 48573	34
AU130	Drain Pipe Circlip for 48573	5	AU210	Evaporator for 48573	19	AU159	Frame Support for 48573	35
AR345	Nut for 48573	5	AU150	Evaporator Motor for 48573	19	AT787	Water Box Door for 48573	36
AU131	Base Plate for 48573	6	AU151	Frame Edge Strip Sleeve for 48573	20	AT788	Water Box Door Body for 48573	36
AU222	Chassis Part for 48573	7	AU234	Frame Edge Strip for 48573	21	AR273	Temp Probe for 48573	37
AR333	Castor for 48573	7	AU235	Frame Edge Strip Slot for 48573	22	AR274	Overheating Probe for 48573	38
AR526	Caster for 48573	7	AU152	Frame Edge Strip for 48573	23	AT816	American Semi-Finished Power Cord for 48573	39
AU196	Box Base Connector for 48573	7	AU153	Frame Edge Strip Slot for 48573	24	AT803	Water Level Monitoring Pipe for 48573	40
AT813	Box Base Left Connector for 48573	7	AU154	Side Top Frame for 48573	25	AT804	Water Level Monitoring Diversion Device for 48573	40
AT814	Box Base Right Connector for 48573	7	AU236	Front and Back Top Frame for 48573	26	AT805	Water Level Monitoring Sleeve for 48573	40
AU223	Air Outlet Deflector for 48573	8	AU156	Side Lower Frame for 48573	27	AL812	Condenser for 48573	41
AU224	Air Outlet for 48573	9	AU237	Front Lower Frame for 48573	28	AR527	Motor for 48573	41
AU173	Light Guide Plate Support Fastener for 48573	10	AU238	Rear Lower Frame for 48573	29	AL827	Flange for 48573	41
AU225	Light Guide Plate Support for 48573	11	AT792	Switch Panel for 48573	30	AL828	Condenser Fan for 48573	41
AU226	Baffle Glass for 48573	12	AR356	Display for 48573	31	AU216	Compressor for 48573	42
AU227	Air Intake for 48573	13	AL834	Switch for 48573	32	AT809	Digital Control for 48573	43
AU228	Baffle Glass Fastener for 48573	13	AL818	Dry Filter for 48573	33	AU164	Switch for 48573	43