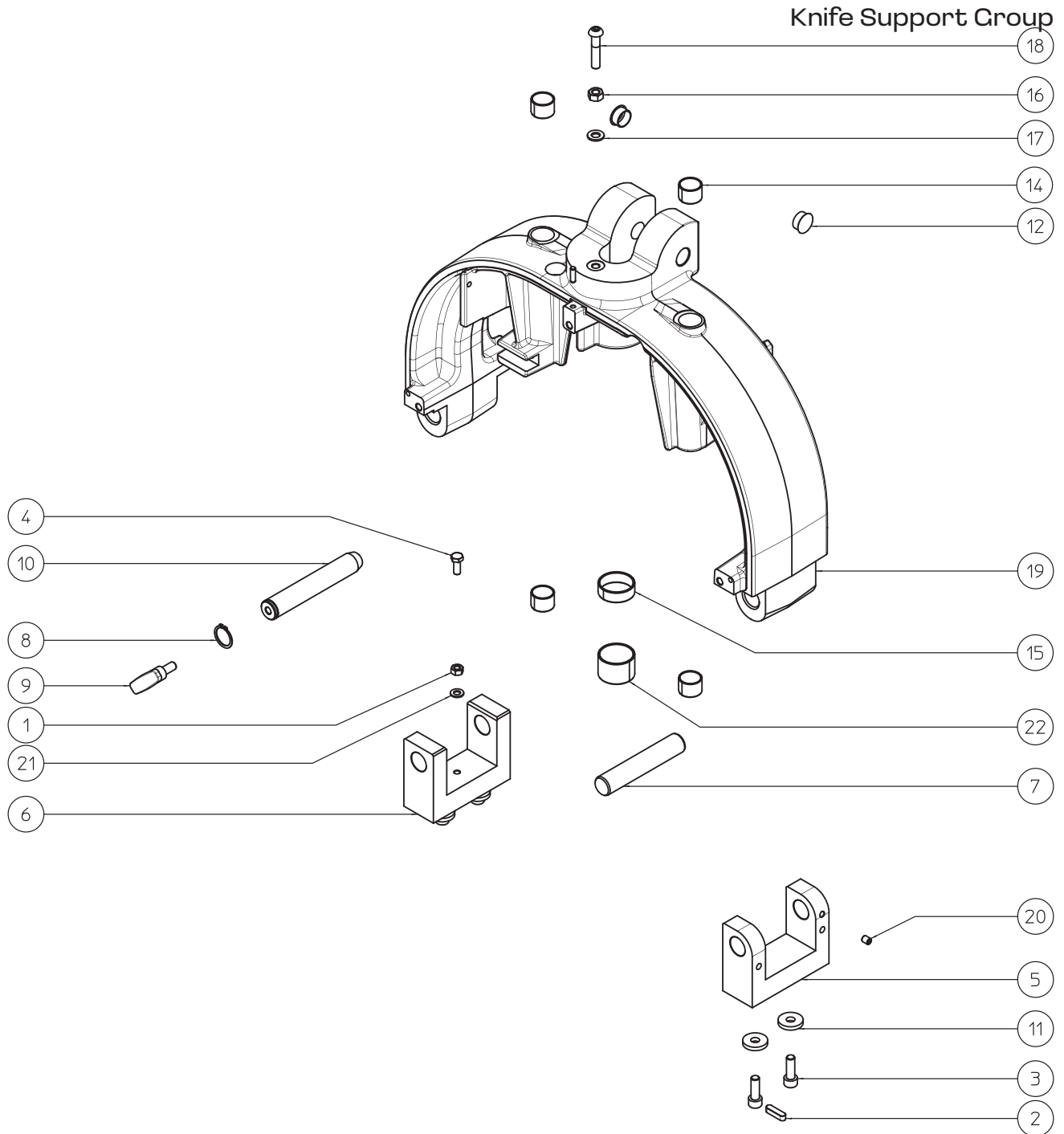


PARTS BREAKDOWN

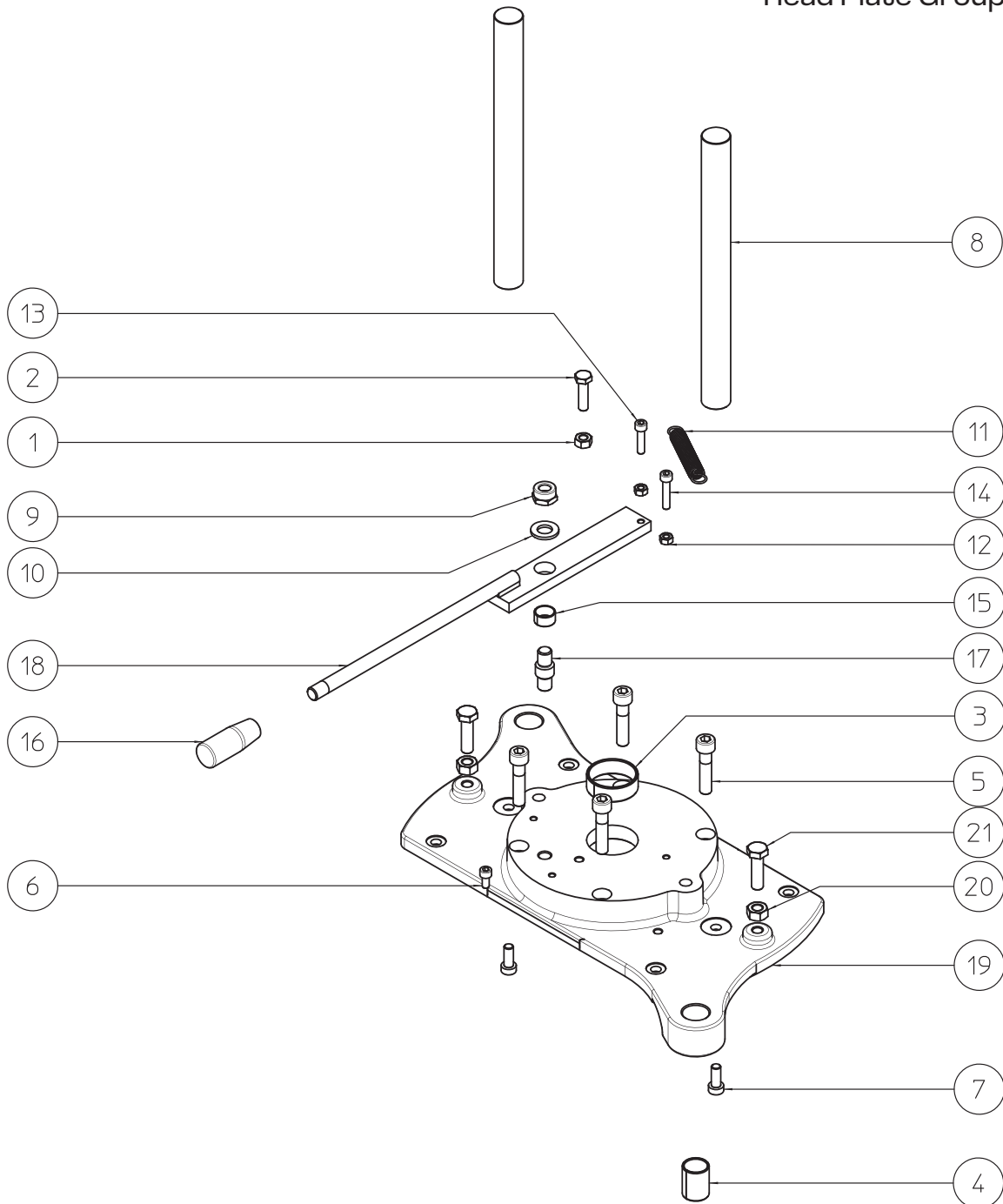
ITEM	MODEL
48582	BE-IT-0015M-1P



PARTS BREAKDOWN

ITEM	MODEL
48582	BE-IT-0015M-1P

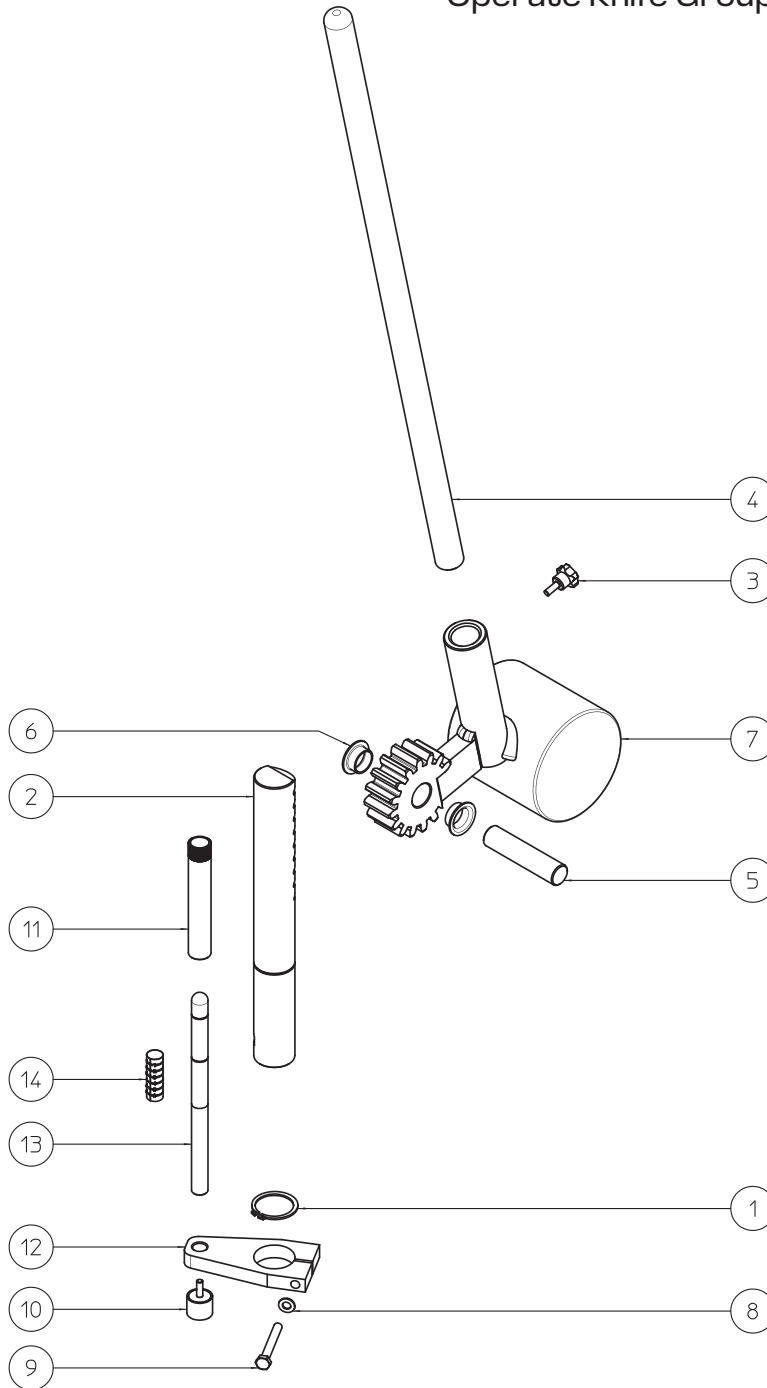
Head Plate Group



PARTS BREAKDOWN

ITEM	MODEL
48582	BE-IT-0015M-1P

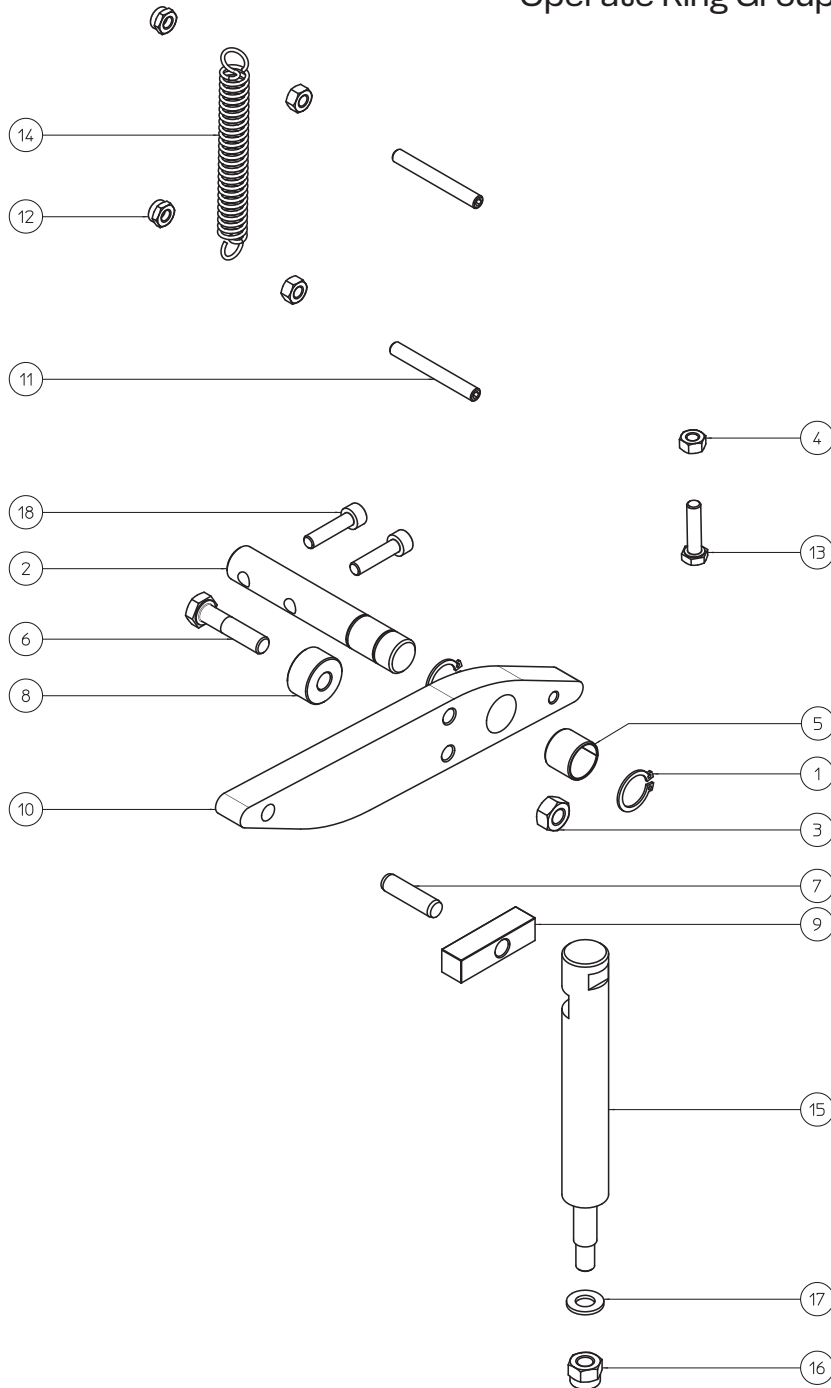
Operate Knife Group



PARTS BREAKDOWN

ITEM	MODEL
48582	BE-IT-0015M-1P

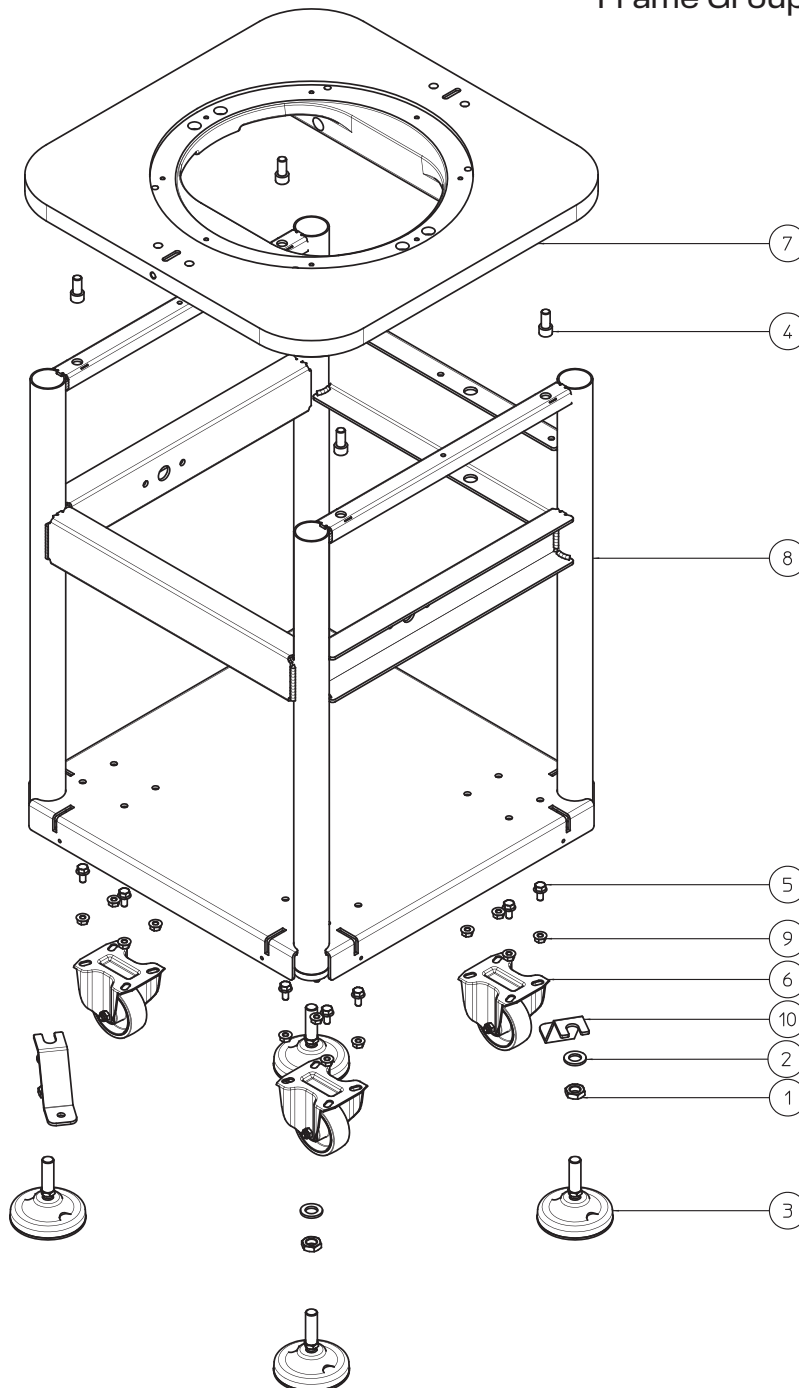
Operate Ring Group



PARTS BREAKDOWN

ITEM	MODEL
48582	BE-IT-0015M-1P

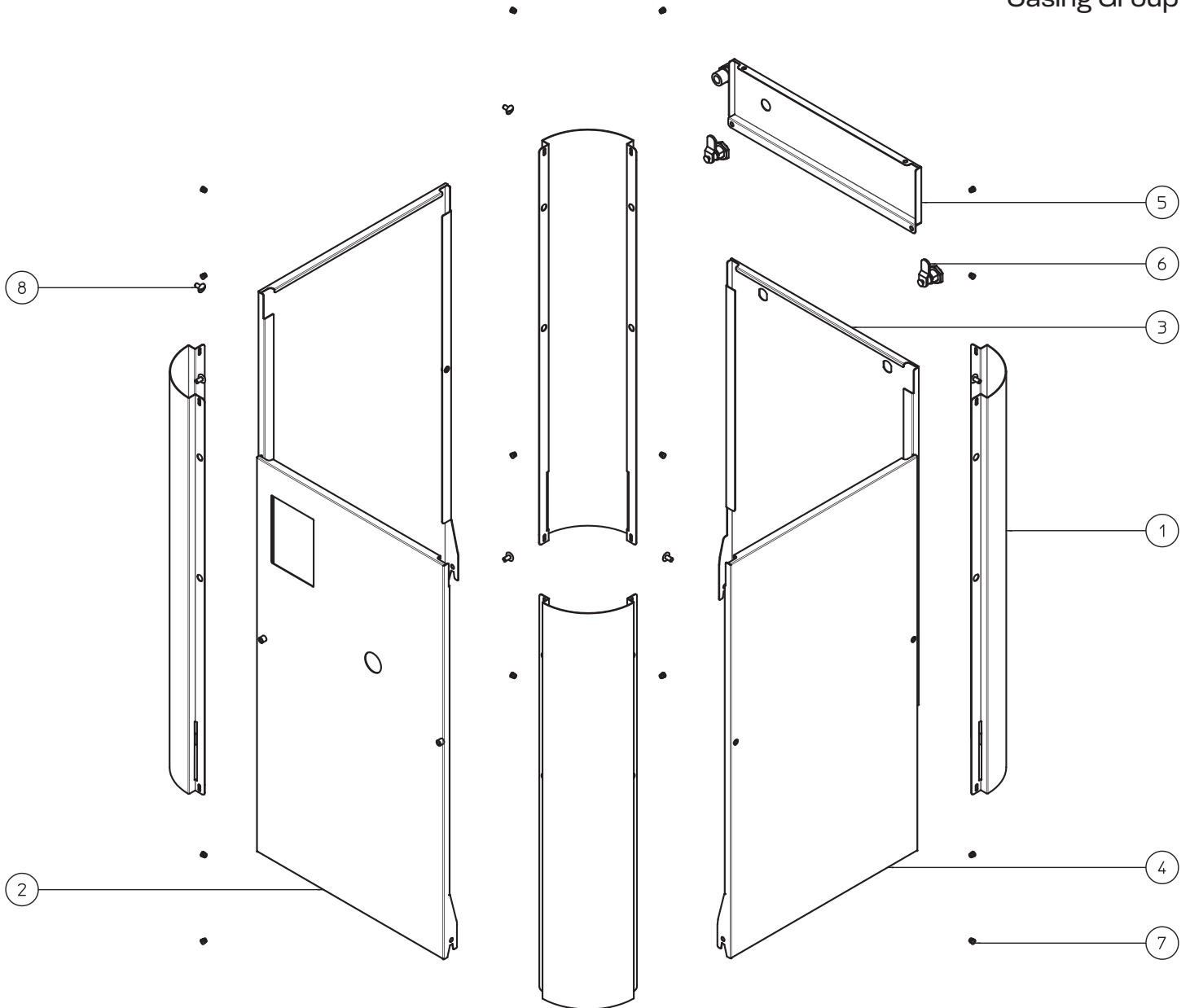
Frame Group



PARTS BREAKDOWN

ITEM	MODEL
48582	BE-IT-0015M-1P

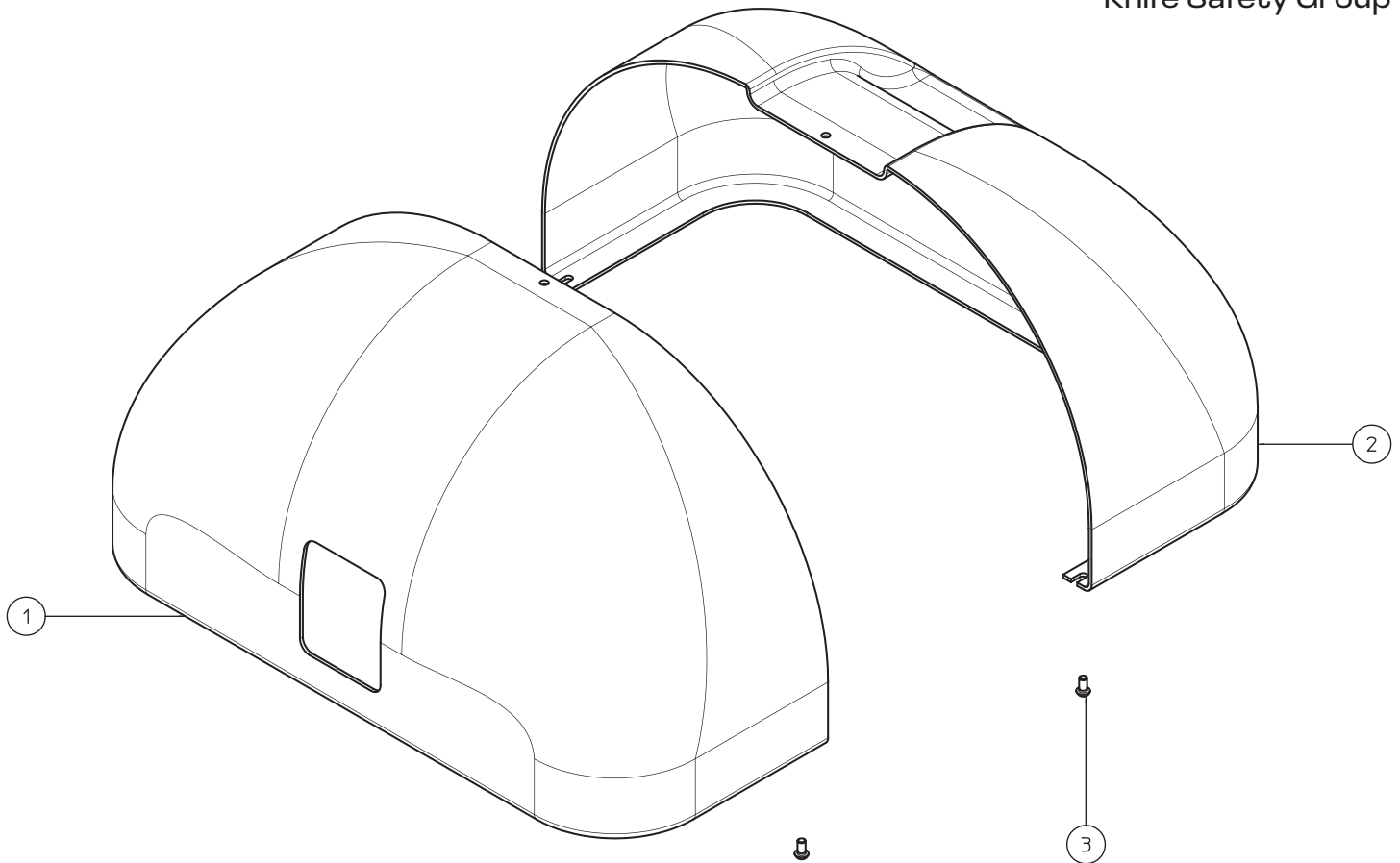
Casing Group



PARTS BREAKDOWN

ITEM	MODEL
48582	BE-IT-0015M-1P

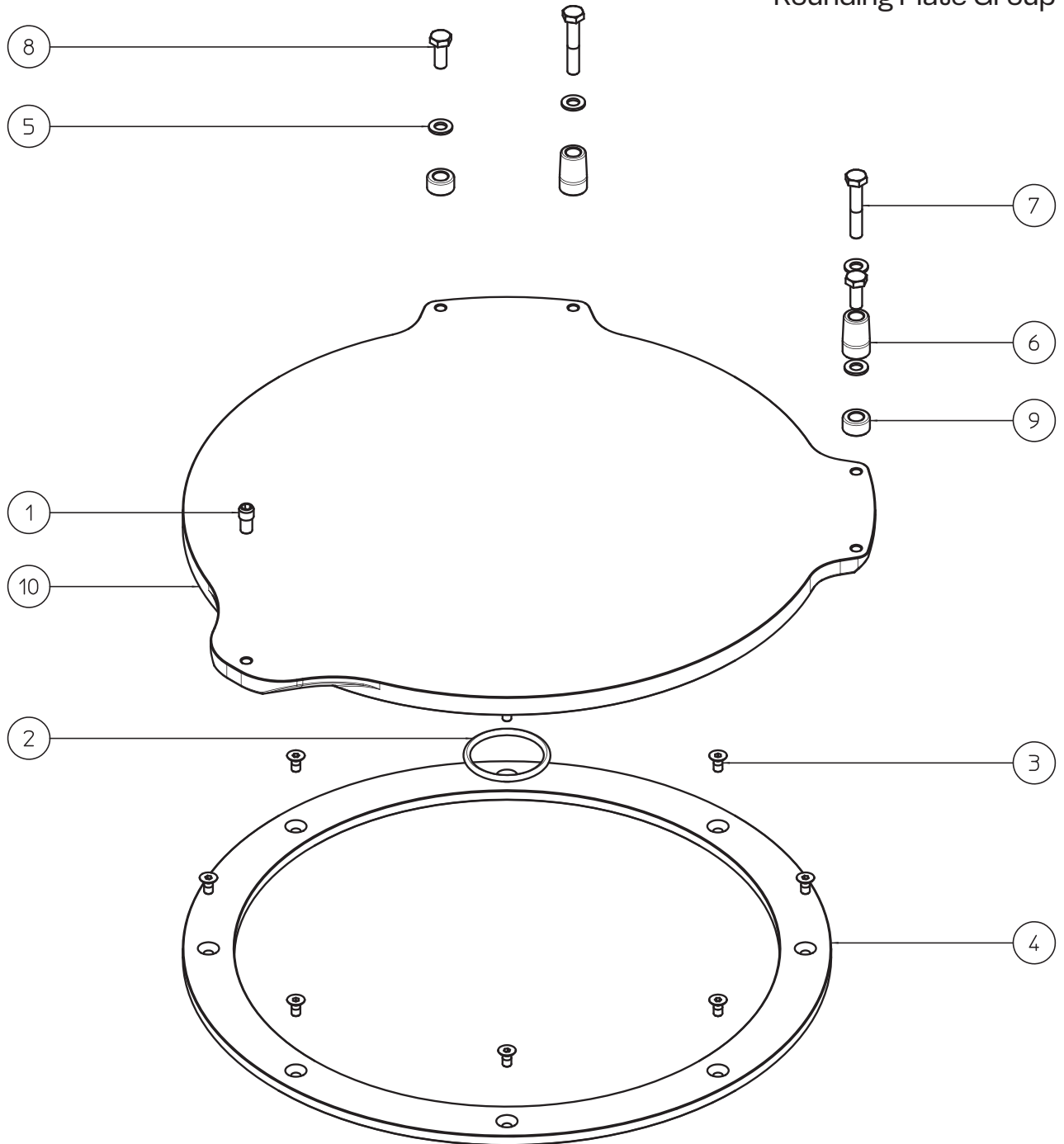
Knife Safety Group



PARTS BREAKDOWN

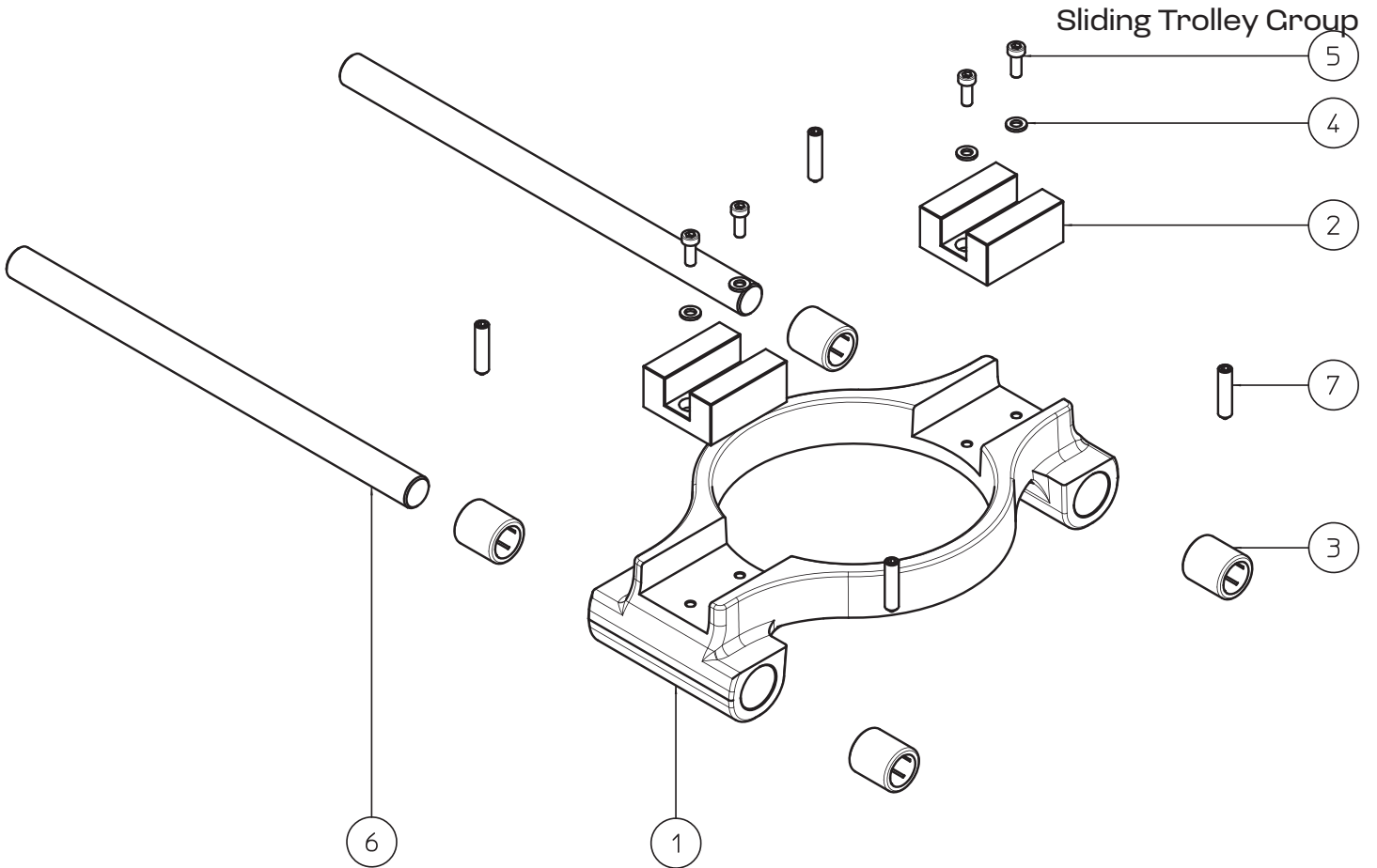
ITEM	MODEL
48582	BE-IT-0015M-1P

Rounding Plate Group



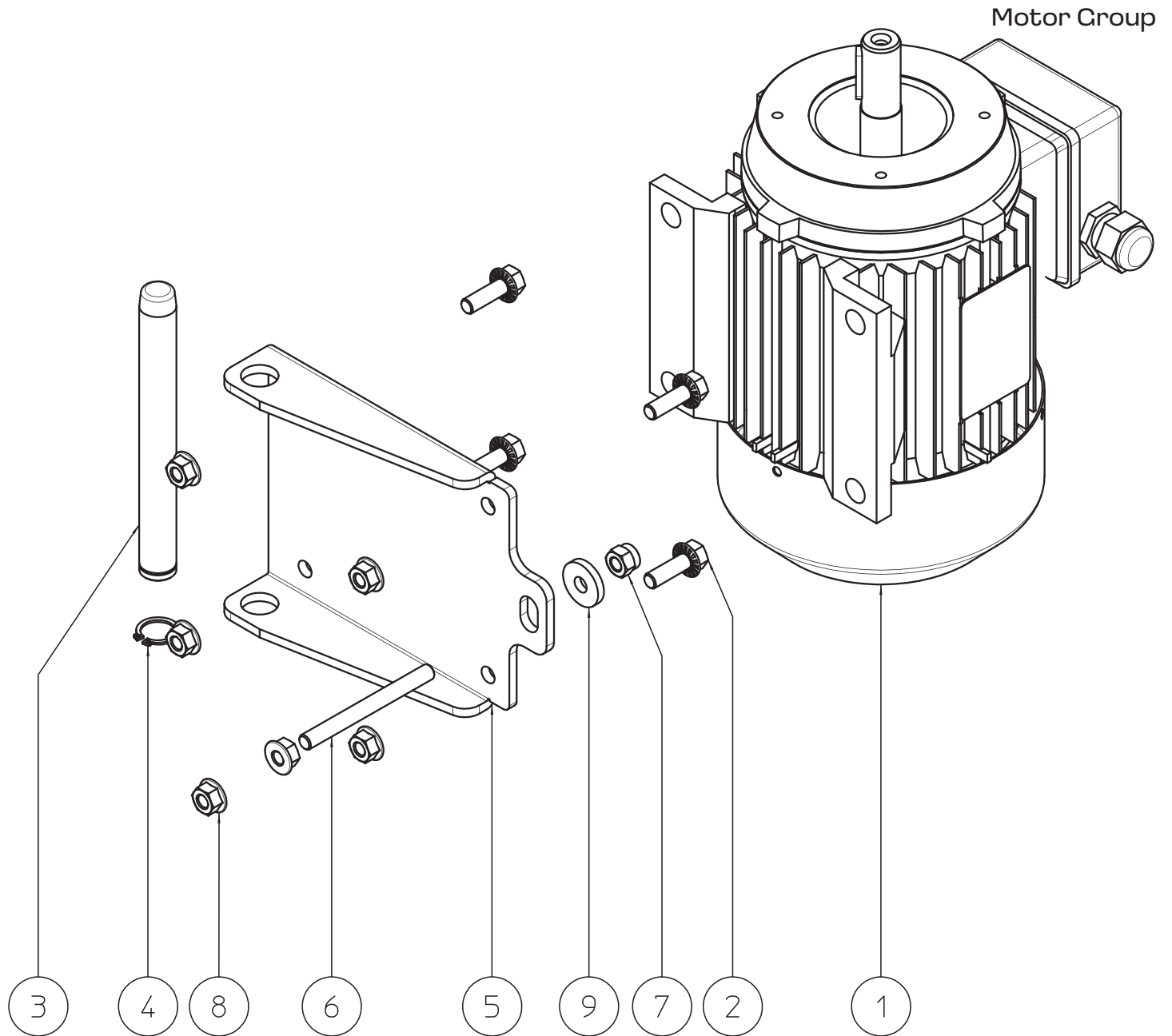
PARTS BREAKDOWN

ITEM	MODEL
48582	BE-IT-0015M-1P



PARTS BREAKDOWN

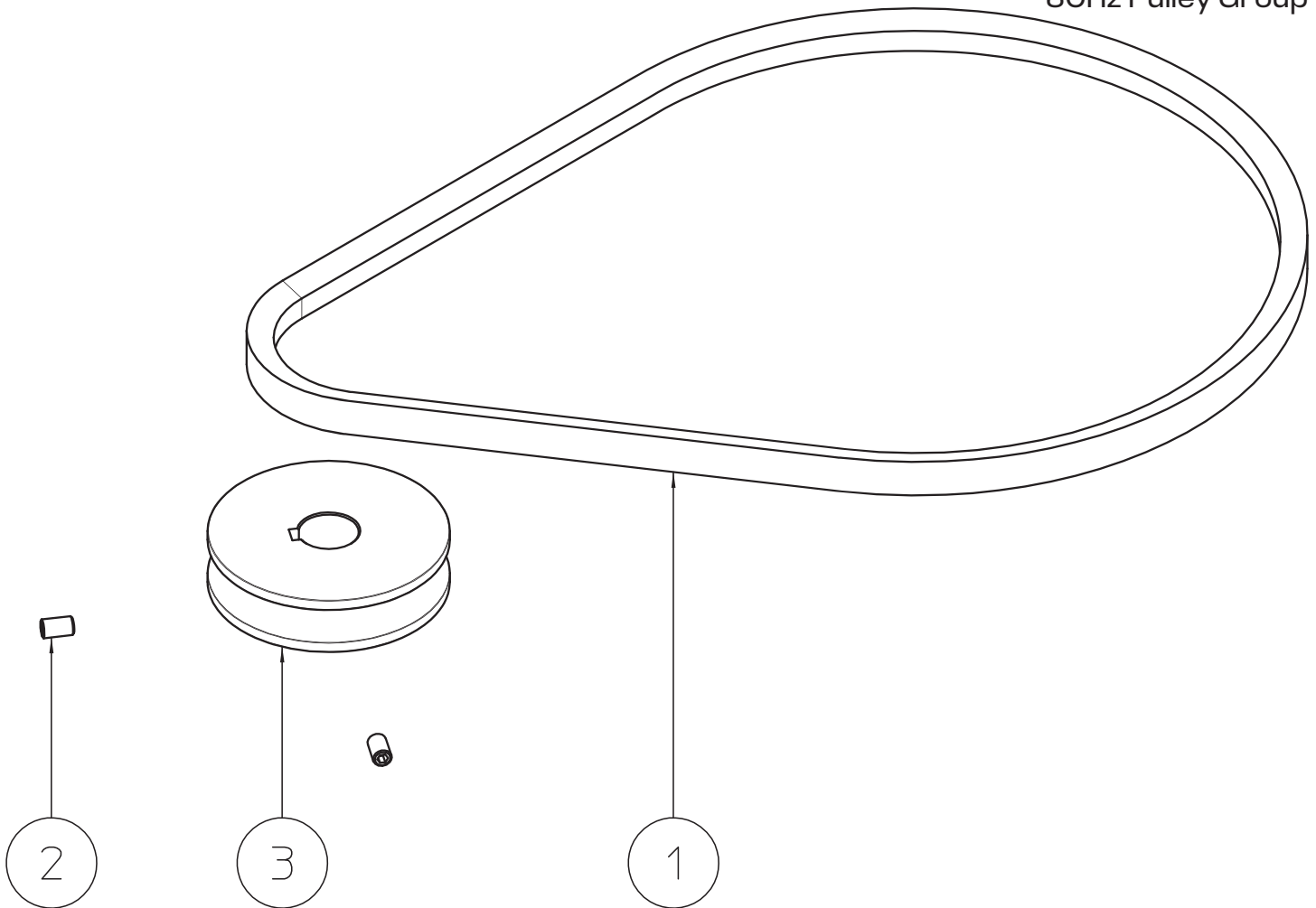
ITEM	MODEL
48582	BE-IT-0015M-1P



PARTS BREAKDOWN

ITEM	MODEL
48582	BE-IT-0015M-1P

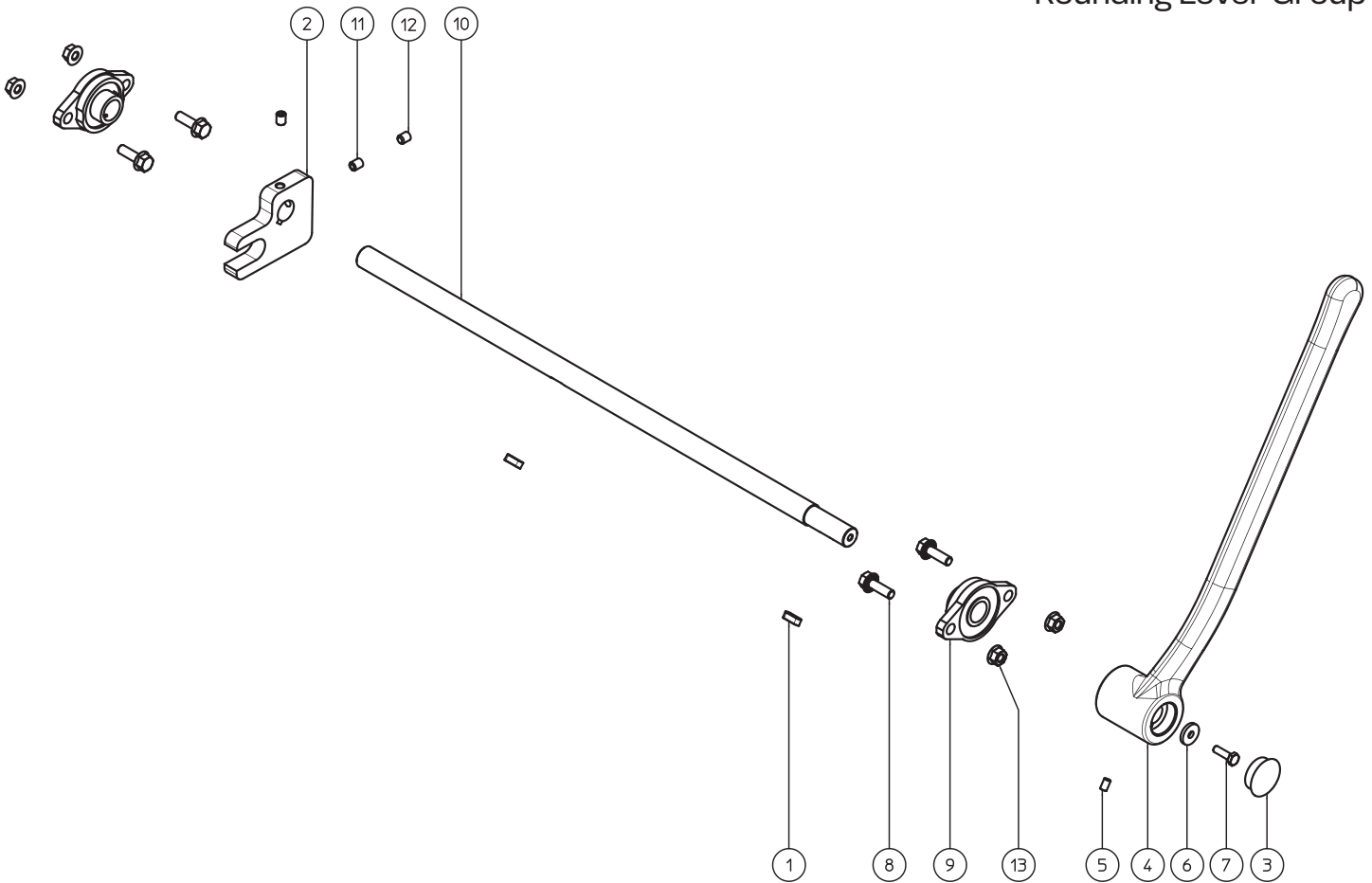
60Hz Pulley Group



PARTS BREAKDOWN

ITEM	MODEL
48582	BE-IT-0015M-1P

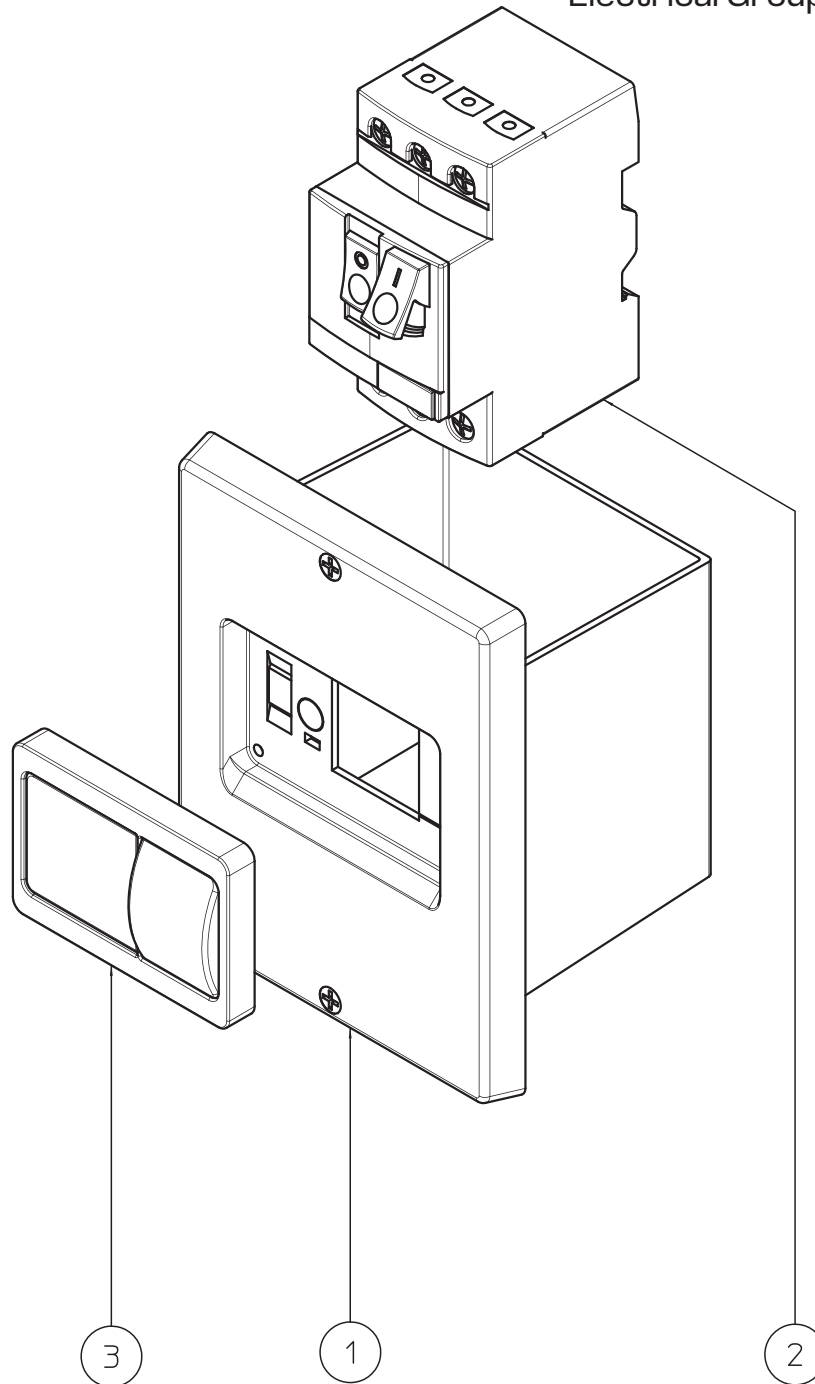
Rounding Lever Group



PARTS BREAKDOWN

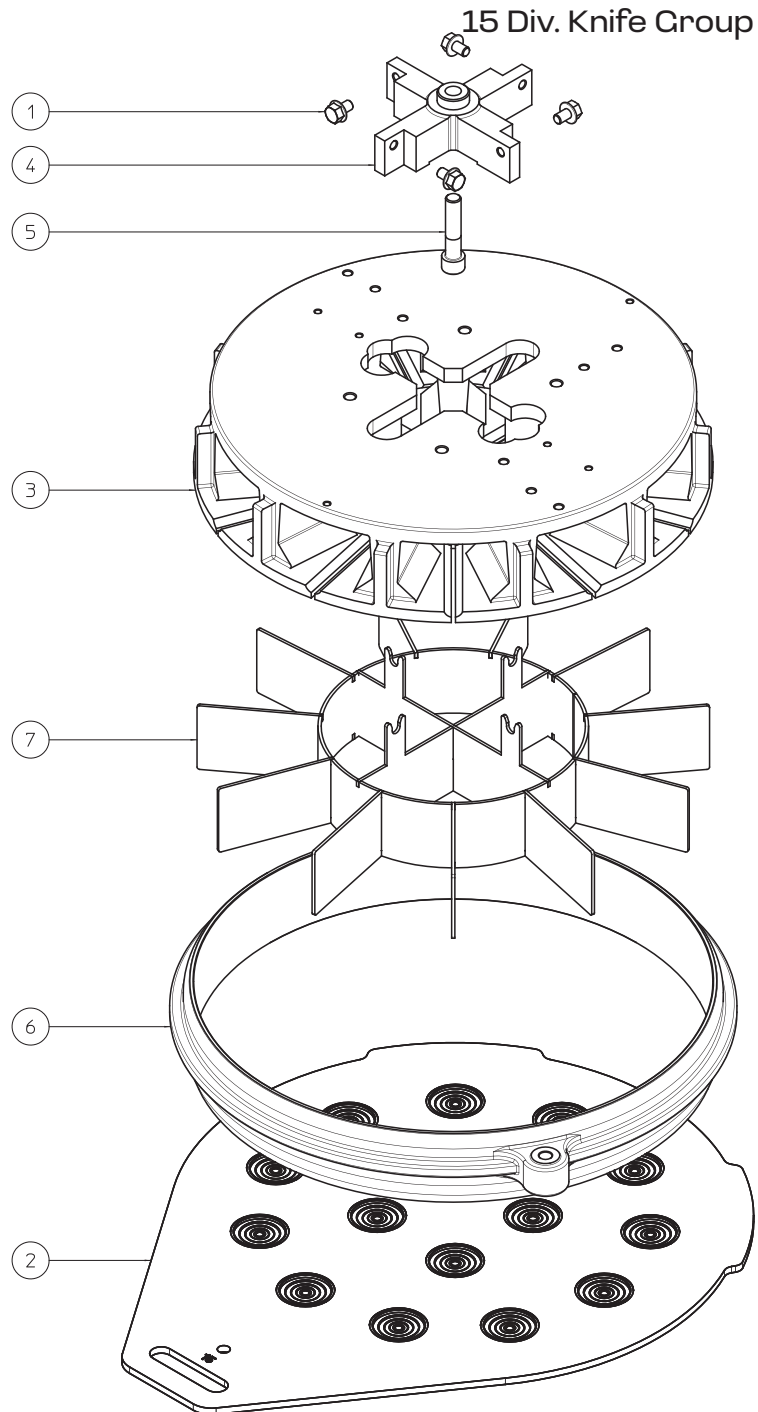
ITEM	MODEL
48582	BE-IT-0015M-1P

Electrical Group



PARTS BREAKDOWN

ITEM	MODEL
48582	BE-IT-0015M-1P



PARTS BREAKDOWN

ITEM	MODEL
48582	BE-IT-0015M-1P

Knife Support Group

Item No.	Description	Position	Item No.	Description	Position	Item No.	Description	Position
AM210	Nut M8 Inox for 48582	1	AM403	Rod M10x20 for 48582	9	AM408	Washer D.10 Inox for 48582	17
AM193	Key 8x7x30mm for 48582	2	AM404	Mobile Pin D.25x150 for 48582	10	AM409	Screw TCBEI M10x50 Inox for 48582	18
AM194	Screw TCEI M10x30 Zinc for 48582	3	AM293	Washer D.10x30 SP. 5 Zinc for 48582	11	AM410	Cutting Support Group for 48582	19
AM286	Screw TE M8x20 Inox for 48582	4	AM405	Plug D.22 for 48582	12	AM411	Screw STEI M8x10 Inox for 48582	20
AM399	DX Support for 48582	5	AM406	Plug D.6x20 for 48582	13	AM220	Washer D.8 Inox for 48582	21
AM400	SX Support for 48582	6	AM310	Latch Insert KU 25 20 for 48582	14	AM412	Latch Insert KU 40 30 for 48582	22
AM401	Fixed Pin D.25x130 for 48582	7	AM223	Latch Insert KU 40 15 for 48582	15	AM413	Knife Support Group for 48582	
AM402	Seeger Ring D.25 for 48582	8	AM407	Nut M10 Inox for 48582	16			

Head Plate Group

Item No.	Description	Position	Item No.	Description	Position	Item No.	Description	Position
AM210	Nut M8 Inox for 48582	1	AM415	Rod Guide D.16x180 for 48582	8	AM418	Latch Insert KU 16 10 for 48582	15
AM222	Screw TE M8x30 Inox for 48582	2	AM416	Selflocking Nut M12 Inox for 48582	9	AM419	Handle for 48582	16
AM223	Latch Insert KU 40 15 for 48582	3	AM417	Washer D.12 Inox for 48582	10	AM420	Pin for Release Lever for 48582	17
AM224	Latch Insert KU 20 15 for 48582	4	AM214	Spring for 48582	11	AM421	Cutting Release Lever for 48582	18
AM225	Screw TCEI M10x45 Inox for 48582	5	AM183	Nut M6 Inox for 48582	12	AM227	Head Plate for 48582	19
AM414	Screw TCEI M6x12 Inox for 48582	6	AM261	Screw TCEI M6x25 Inox for 48582	13	AM422	Head Plate Group for 48582	
AM226	Screw TCEI M8x20 Zinc for 48582	7	AM271	Screw TCEI M6x30 Inox for 48582	14			

Operate Knife Group

Item No.	Description	Position	Item No.	Description	Position	Item No.	Description	Position
AM309	Seeger Ring D.40 for 48582	1	AM427	Latch Insert KF 22 10 for 48582	6	AM431	Support Limit for 48582	12
AM423	Rack Shaft for 48582	2	AM428	Lever Support for 48582	7	AM432	Adjustment Rod for 48582	13
AM424	Handwheel M6x10 for 48582	3	AM220	Washer D.8 Inox for 48582	8	AM433	Sticker for 48582	14
AM425	Lever for 48582	4	AM429	Screw TE M8x60 Inox for 48582	9	AM434	Operate Knife Group for 48582	
AM426	Pin Support for 48582	5	AM430	Anti Vibrating D.25x20 M6 for 48582	10			

PARTS BREAKDOWN

ITEM	MODEL
48582	BE-IT-0015M-1P

Operate Ring Group

Item No.	Description	Position	Item No.	Description	Position	Item No.	Description	Position
AM208	Seeger Ring D.16 for 48582	1	AM216	Pin Ring Lever for 48582	8	AM209	Lift Ring Rod for 48582	15
AM435	Pin Lever Roller for 48582	2	AM212	Sliding Shoe 12x12x45 for 48582	9	AM219	Selflocking Nut M8 Inox for 48582	16
AM210	Nut M8 Inox for 48582	3	AM213	Lever Lift Ring for 48582	10	AM220	Washer D.8 Inox for 48582	17
AM183	Nut M6 Inox for 48582	4	AM185	Screw STEI M6x50 Inox for 48582	11	AM261	Screw TCEI M6x25 Inox for 48582	18
AM205	Latch Insert KU 16 15 for 48582	5	AM186	Selflocking Nut M6 Inox for 48582	12	AM436	Operate Ring Group for 48582	
AM218	Screw TE M8x35 Inox for 48582	6	AM187	Screw TE M6x25 Inox for 48582	13			
AM217	Plug D.8x30 for 48582	7	AM214	Spring for 48582	14			

Frame Group

Item No.	Description	Position	Item No.	Description	Position	Item No.	Description	Position
AM231	Nut M16 Zinc for 48582	1	AM234	Screw TE M8x16 Zinc for 48582	5	AM239	Nut M8 Zinc for 48582	9
AM232	Washer D.16 Zinc for 48582	2	AM235	Wheel D.80x30 Fix for 48582	6	AM439	Fixing Bracket for 48582	10
AM233	Non-Slip Foot for 48582	3	AM437	Semiautomatic Head Plate for 48582	7	AM440	Frame Group for 48582	
AM240	Screw TCEI M12x45 Zinc for 48582	4	AM438	Frame for 48582	8			

Casing Group

Item No.	Description	Position	Item No.	Description	Position	Item No.	Description	Position
AM441	Angular Panel for 48582	1	AM444	Lateral Panel for 48582	4	AM248	Aluminum Rivet for 48582	7
AM442	Front Panel for 48582	2	AM445	Power Supply Panel for 48582	5	AM249	Screw Poeliers M6x12 Zinc for 48582	8
AM443	Rear Panel for 48582	3	AM246	Lock for 48582	6	AM446	Casing Group for 48582	

Knife Safety Group

Item No.	Description	Position	Item No.	Description	Position
AM447	Front Protection for 48582	1	AM449	Screw TCBEI M6x12 Inox for 48582	3
AM448	Rear Protection for 48582	2	AM450	Knife Safety Group for 48582	

PARTS BREAKDOWN

ITEM	MODEL
48582	BE-IT-0015M-1P

Rounding Plate Group

Item No.	Description	Position	Item No.	Description	Position	Item No.	Description	Position
AM280	Pin for 48582	1	AM220	Washer D.8 Inox for 48582	5	AM287	Stopper for 48582	9
AM281	Seal OR 6200 for 48582	2	AM284	Stopper for 48582	6	AM288	Rounding Plate for 48582	10
AM282	Screw TSPEI M6x12 Zinc for 48582	3	AM285	Screw TE M8x45 Inox for 48582	7	AM289	Rounding Plate Group for 48582	
AM283	Ring for 48582	4	AM286	Screw TE M8x20 Inox for 48582	8			

Sliding Trolley Group

Item No.	Description	Position	Item No.	Description	Position	Item No.	Description	Position
AM315	Sliding Trolley for 48582	1	AM197	Washer D.6 Zinc for 48582	4	AM320	Screw STEI M8x35 for 48582	7
AM316	Shoe Guide for 48582	2	AM318	Screw TCEI M6x16 Zinc for 48582	5	AM321	Sliding Trolley Group for 48582	
AM317	Sliding Sleeve with Spheres for 48582	3	AM319	Pin Holder for 48582	6			

Motor Group

Item No.	Description	Position	Item No.	Description	Position	Item No.	Description	Position
AM651	Motor KW 0,45 6 Poli B3 220/60 UL/CSA Mono Phases for 48582	1	AM326	Motor Fixing Shelf for 48582	5	AM299	Washer D.8x24 SP. 4 for 48582	9
AM323	Screw TE M8x25 Zinc for 48582	2	AM327	Threaded Bar M8x85 Zinc for 48582	6	AM329	Motor Group for 48582	
AM324	Motor Pin for 48582	3	AM328	Nut M8 Zinc for 48582	7			
AM325	Seeger Ring D.18 for 48582	4	AM239	Nut M8 Zinc for 48582	8			

60Hz Pulley Group

Item No.	Description	Position	Item No.	Description	Position
AM451	Belt A37 1/2 for 48582	1	AM331	Pulley 60x1A (60 Hz) for 48582	3
AM211	Screw STEI M6x10 for 48582	2	AM452	60Hz Pulley Group for 48582	

PARTS BREAKDOWN

ITEM	MODEL
48582	BE-IT-0015M-1P

Rounding Lever Group

Item No.	Description	Position	Item No.	Description	Position	Item No.	Description	Position
AM453	Key 6x6x18mm for 48582	1	AM457	Washer D.6x20 SP.3 for 48582	6	AM460	Screw STEI M8x10 for 48582	11
AM454	Fork for 48582	2	AM255	Screw TE M6x20 Zinc for 48582	7	AM461	Screw STEI M8x10 for 48582	12
AM455	Plug D.30 for 48582	3	AM323	Screw TE M8x25 Zinc for 48582	8	AM239	Nut M8 Zinc for 48582	13
AM456	Lever for 48582	4	AM458	Flange Support D.20 UFL 004 for 48582	9	AM462	Rounding Lever Group for 48582	
AM211	Screw STEI M6x10 for 48582	5	AM459	Pin Lever Roller for 48582	10			

Electrical Group

Item No.	Description	Position	Item No.	Description	Position
AM463	Electrical Box for 48582	1	AM465	Protection for 48582	3
AN665	Motor Protection 230/1/50-60 Volt 4-6,3A for 48582	2			

15 Div. Knife Group

Item No.	Description	Position	Item No.	Description	Position	Item No.	Description	Position
AM387	Screw TE M8x12 Zinc for 48582	1	AM390	Support for 48582	4	AM393	Knife 15 Div. for 48582	7
AM388	Plate 15 Div. for 48582	2	AM391	Screw TCEI M12x50 Zinc for 48582	5	AM394	15 Div. Knife Group for 48582	
AM389	Head 15 Div. for 48582	3	AM392	Head Ring D.400 for 48582	6			