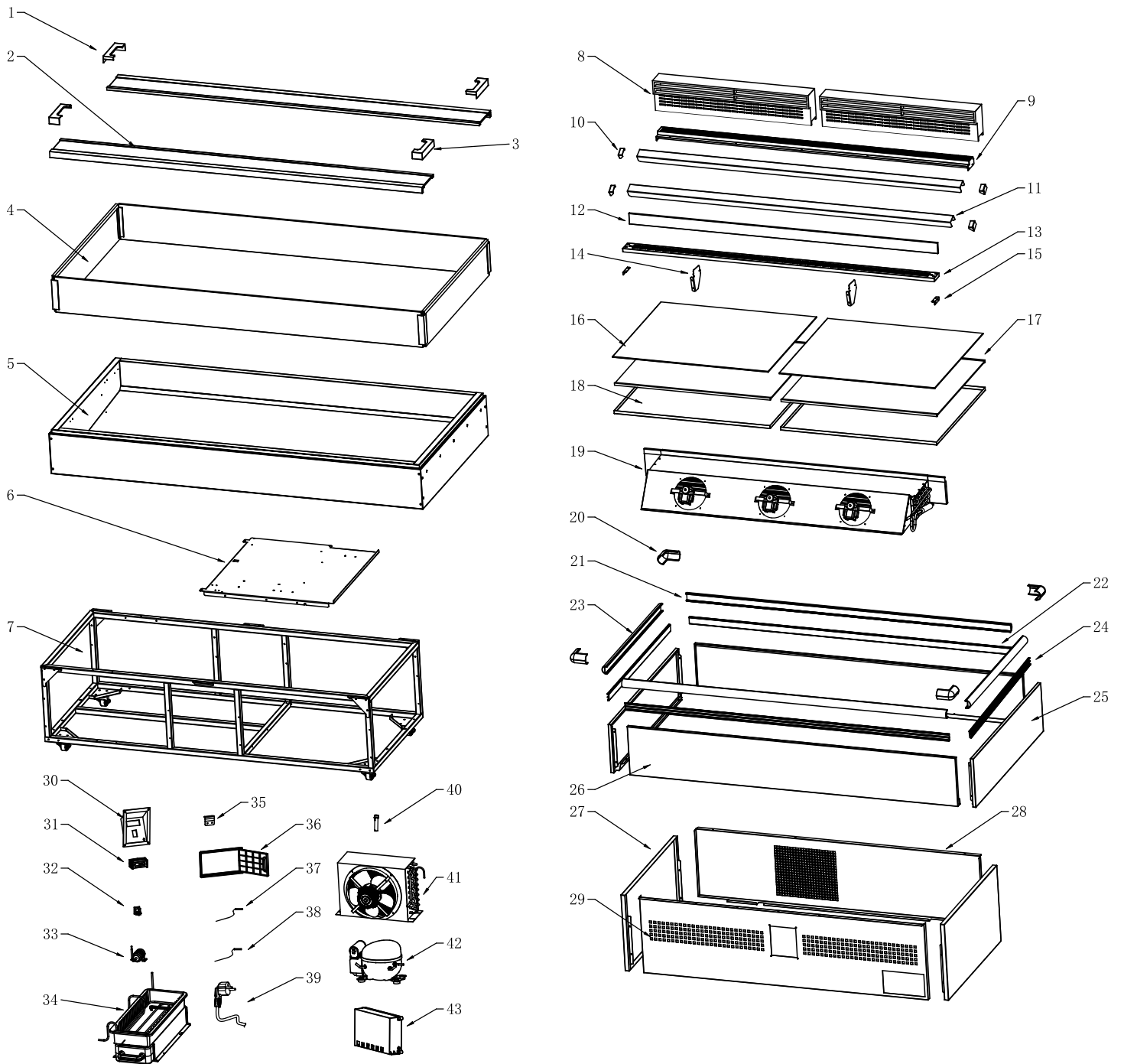


Parts Breakdown

Model RE-CN-2100C 48604



Parts Breakdown

Model RE-CN-2100C 48604

Item No.	Description	Position	Item No.	Description	Position	Item No.	Description	Position
AU120	Top Glass Left Cover for 48604	1	AU203	Air Intake Support for 48604	14	AU160	Filter Connection for 48604	33
AU239	Top Glass Front Edge Strip for 48604	2	AU138	Light Guide Plate Support for 48604	15	AR347	Filter Pressing Plate for 48604	33
AU240	Front and Rear Glass Edge Strip for 48604	2	AU251	Plate Glass for 48604	16	AU162	High Pressure Vaporized Copper Pipe for 48604	34
AU241	Upper Windshield for 48604	2	AU252	Light Guide Plate for 48604	17	AT796	Water Box for 48604	34
AU124	Top Glass Right Cover for 48604	3	AU253	LED for 48604	17	AU163	Paper Water Curtain for 48604	34
AU125	Right Angle Edge Strip for 48604	4	AU254	Light Guide Plate Light Bar Fastener for 48604	17	AT797	Cover Plate for 48604	34
AU126	Left and Right Glass Edge Strip for 48604	4	AU255	Light Guide Plate Placement Plate for 48604	18	AT798	Water Storage Box for 48604	34
AU242	Front and Rear Windshield for 48604	4	AU256	Evaporator Fixed Plate for 48604	19	AT799	Magnetic Door Contact for 48604	34
AU128	Left and Right Windshield for 48604	4	AU145	Evaporator Fixed Plate Left Plate for 48604	19	AT800	Water Box Left Fixing Plate for 48604	34
AU243	Box Foam Assembly for 48604	5	AU146	Evaporator Fixed Plate Right Plate for 48604	19	AT801	Water Box Cover Fixing Plate for 48604	34
AT776	Drain Pipe Connection for 48604	5	AU147	Evaporator Left Windshield for 48604	19	AT802	Water Box Cover Plate for 48604	34
AL817	Water Leakage Pipe for 48604	5	AU148	Evaporator Right Windshield for 48604	19	AT795	Water Storage Box Baffle for 48604	34
AU130	Drain Pipe Circlip for 48604	5	AU257	Evaporator for 48604	19	AU159	Frame Support for 48604	35
AR345	Nut for 48604	5	AU150	Evaporator Motor for 48604	19	AT787	Water Box Door for 48604	36
AU131	Base Plate for 48604	6	AU151	Frame Edge Strip Sleeve for 48604	20	AT788	Water Box Door Body for 48604	36
AU244	Chassis Part for 48604	7	AU258	Frame Edge Strip for 48604	21	AR273	Temp Probe for 48604	37
AR333	Castor for 48604	7	AU259	Frame Edge Strip Slot for 48604	22	AR274	Overheating Probe for 48604	38
AR526	Caster for 48604	7	AU152	Frame Edge Strip for 48604	23	AT816	American Semi-Finished Power Cord for 48604	39
AU196	Box Base Connector for 48604	7	AU153	Frame Edge Strip Slot for 48604	24	AT803	Water Level Monitoring Pipe for 48604	40
AT813	Box Base Left Connector for 48604	7	AU154	Side Top Frame for 48604	25	AT804	Water Level Monitoring Diversion Device for 48604	40
AT814	Box Base Right Connector for 48604	7	AU260	Front and Back Top Frame for 48604	26	AT805	Water Level Monitoring Sleeve for 48604	40
AU245	Air Outlet Deflector for 48604	8	AU156	Side Lower Frame for 48604	27	AL812	Condenser for 48604	41
AU246	Air Outlet for 48604	9	AU261	Front Lower Frame for 48604	28	AR527	Motor for 48604	41
AU173	Light Guide Plate Support Fastener for 48604	10	AU262	Rear Lower Frame for 48604	29	AL827	Flange for 48604	41
AU247	Light Guide Plate Support for 48604	11	AT792	Switch Panel for 48604	30	AL828	Condenser Fan for 48604	41
AU248	Baffle Glass for 48604	12	AR356	Display for 48604	31	AU216	Compressor for 48604	42
AU249	Air Intake for 48604	13	AL834	Switch for 48604	32	AT809	Digital Control for 48604	43
AU250	Baffle Glass Fastener for 48604	13	AL818	Dry Filter for 48604	33	AU164	Switch for 48604	43