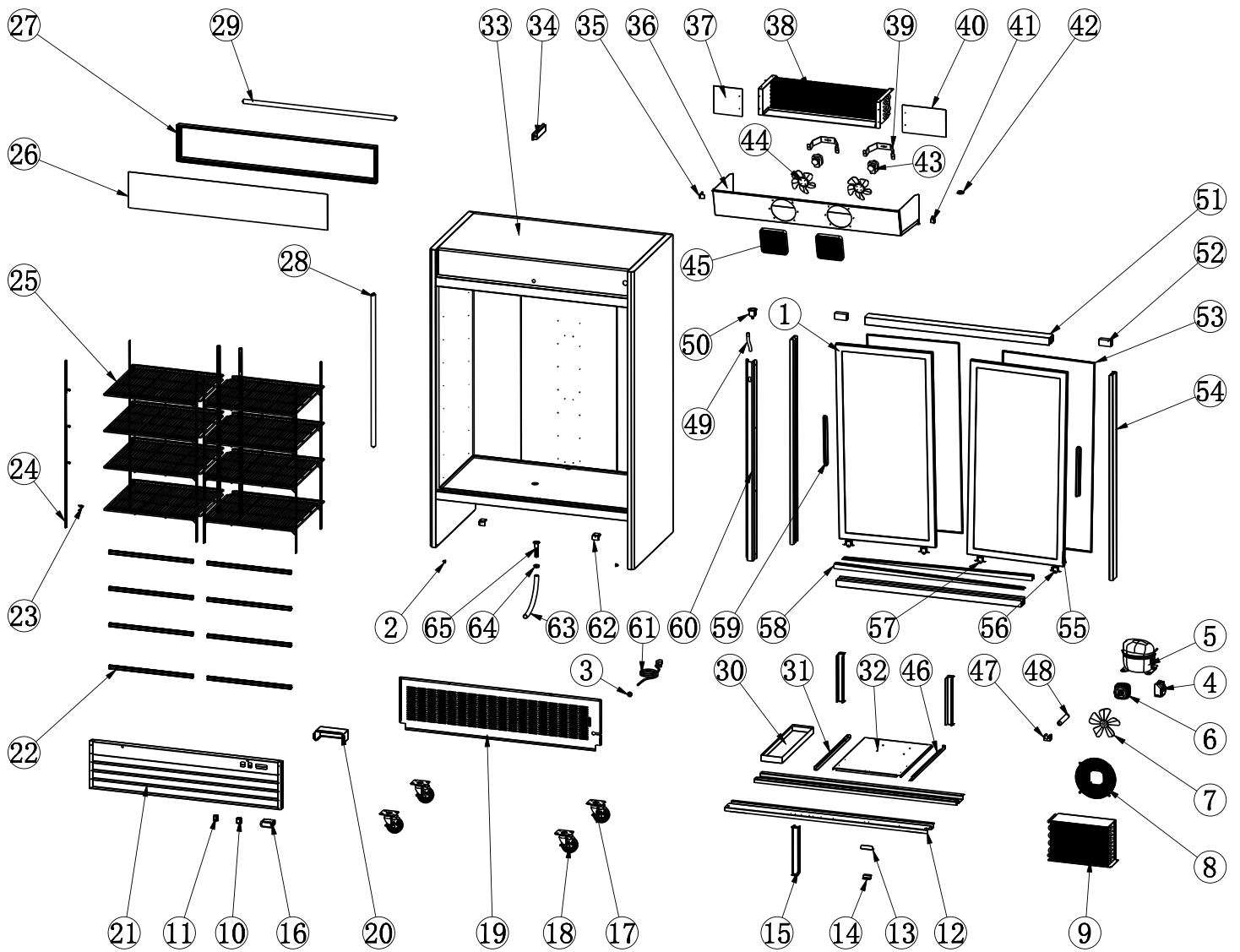


# Parts Breakdown

Model RE-CN-0045-HC 50032



# Parts Breakdown

## Model RE-CN-0045-HC 50032

Item No.	Description	Position	Item No.	Description	Position	Item No.	Description	Position
AA766	Left Glass Door for 50032	1	AA777	Shelf Tag for 50032	22	AS735	Evaporator Fan Motor before July 2020 for 50032	43
AA767	Front Grill Fixer for 50032	2	26884	K Clip for 50032	23	AI321	Condenser Fan Motor after July 2020 for 50032	43
AA703	Power Cord Cover for 50032	3	AA809	K Strip for 50032	24	61219	Evaporator Fan Blade V154/22 for 50032	44
AE876	Compressor before July 2020 for 50032	5	AA779	Shelf for 50032	25	AA710	Evaporator Fan Motor Cover before July 2020 for 50032	45
AE915	Compressor (T6217Z) after July 2020 for 50032	5	AA780	Light Plate for 50032	26	AH713	Evaporator Fan Motor Cover after July 2020 for 50032	45
AS734	Condenser Fan Motor before July 2020 for 50032	6	AA781	Light Box for 50032	27	AE894	Right Rail for Installation Board for 50032	46
AA984	Condenser Fan Motor after July 2020 for 50032	6	AA722	LED Light before July 2020 for 50032	28	AB595	Filter Fixer for 50032	47
AA764	Condenser/Evaporator Fan Motor Blade for 50032	7	AG461	LED Light after July 2020 for 50032	28	AB594	Filter D25x160-B for 50032	48
AA249	Condenser Fan Motor Cover for 50032	8	AA782	LED Light in Light Box for 50032	29	AA528	Inner Drain Pipe for 50032	49
AA770	Condenser before July 2020 for 50032	9	AB959	Outer Drain Pan for 50032	30	AA712	Inner Drain Tube Connector for 50032	50
AA300	Condenser after July 2020 for 50032	9	AE892	Left Rail for Installation Board for 50032	31	AA796	Upper Cabinet Frame for 50032	51
AA362	LED Light Switch for 50032	10	AE893	Installation Board for 50032	32	AG050	Bottom Cabinet Frame for 50032	51
AA124	Power Switch for 50032	11	AA787	LED Power Supply for 50032	34	AA797	Rubber Limited Block for 50032	52
AE878	Caster Supporter for 50032	12	AB962	Left Bracket for Evaporator Fan Cover for 50032	35	AA798	Seal Strip for 50032	53
AB974	Handle for Installation Board for 50032	13	AE886	Evaporator Cover before July 2020 for 50032	36	AG051	Left/Right Cabinet Frame for 50032	54
AA304	Installation Board Limited Block for 50032	14	AI380	Evaporator Cover after July 2020 for 50032	36	AA800	Right Glass Door for 50032	55
AE879	Support Rod for 50032	15	AE887	Left End Plate for Evaporator for 50032	37	AA801	Bigger Wheel for Door for 50032	56
27185	Carel Temperature Controller PYGX1Z0501 before July 2020 for 50032	16	AA791	Evaporator before July 2020 for 50032	38	AA802	Smaller Wheel for Door for 50032	57
AI375	Dixell Temperature Controller after July 2020 for 50032	16	AN133	Evaporator after July 2020 for 50032	38	AG052	Door Track for 50032	58
26247	Caster without Brake for 50032	17	AA757	Evaporator Fan Motor Bracket before July 2020 for 50032	39	62363	Door Handle for 50032	59
26246	Caster with Brake for 50032	18	AI381	Evaporator Installation Bracket after July 2020 for 50032	39	AE891	Air Pipe Protection Board for 50032	60
AE881	Back Grill for 50032	19	AE888	Right End Plate for Evaporator for 50032	40	AA805	Power Cord for 50032	61
AA214	Thermostat Water Proof Cover for 50032	20	AA793	Right Bracket for Evaporator Fan Cover for 50032	41	AG053	Grill Fixer for 50032	62
AG049	Front Grill for 50032	21	AA794	Power Cord Cover for 50032	42	AA216	Drain Tube for 50032	63

# Parts Breakdown

---

**Model RE-CN-0045-HC** 50032

Item No.	Description	Position	Item No.	Description	Position
AA687	Drain Pipe Cover for 50032	64	AA686	Plastic Drain Pipe with Fixer for 50032	65