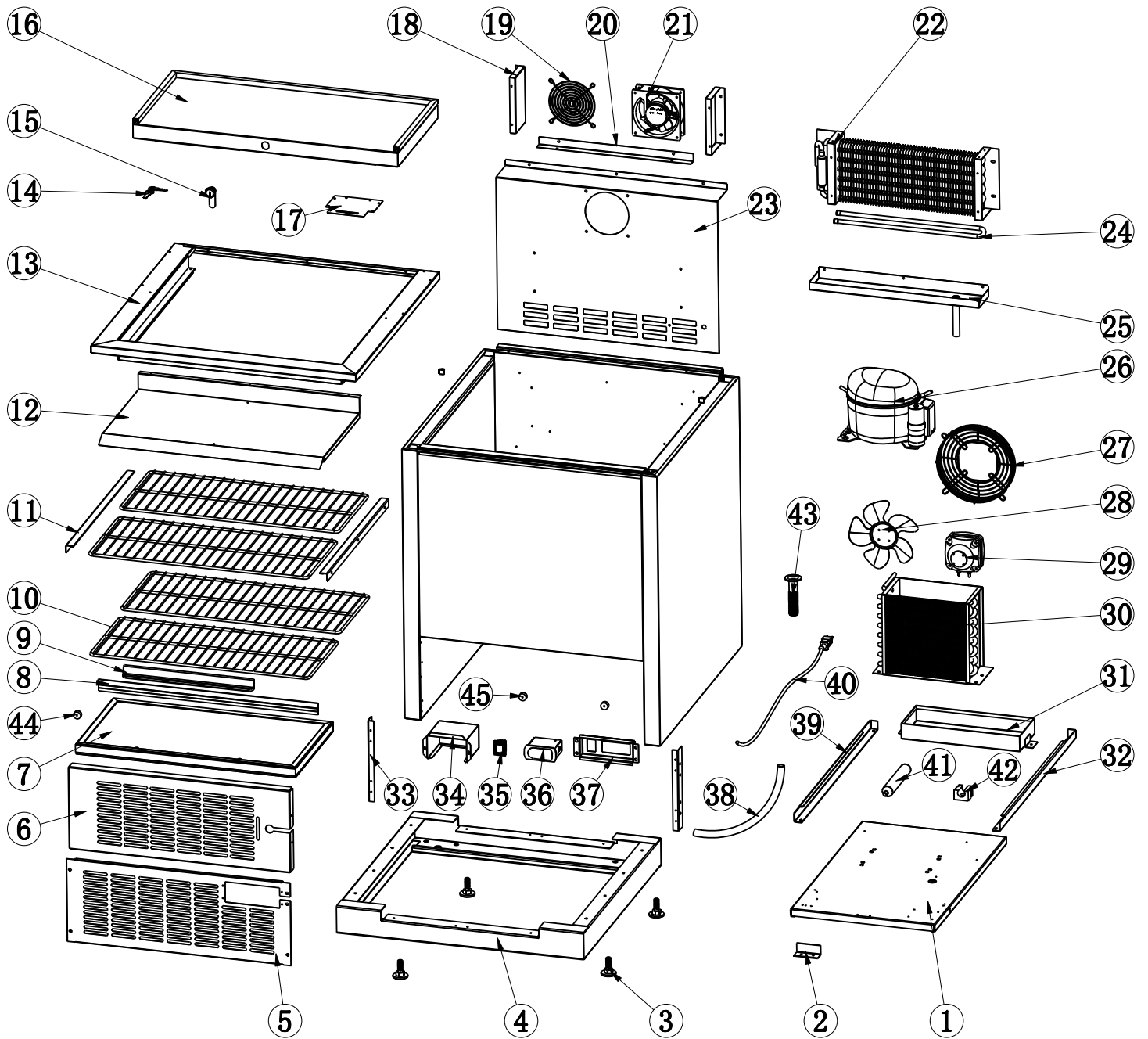


Parts Breakdown

Model **FR-CN-0660-PC** 50073



Parts Breakdown

Model FR-CN-0660-PC 50073

Item No.	Description	Position	Item No.	Description	Position	Item No.	Description	Position
AE966	Compressor Unit Installation Board for 50073	1	AE977	Base Board for Lock for 50073	17	AE982	Right Rail for Installation Board for 50073	32
AA304	Installation Board Limited Block for 50073	2	AE978	Evaporator Fan Right and Left Baffle for 50073	18	AE983	Fixer for Front Grill for 50073	33
26247	Caster without Brake for 50073	3	AA201	Evaporator Fan Motor Cover for 50073	19	AA214	Thermostat Water Proof Cover for 50073	34
26246	Caster with Brake for 50073	3	AE979	Evaporator Fan Bottom Baffle for 50073	20	AA124	Power Switch for 50073	35
AE967	Cabinet Base for 50073	4	AE901	Evaporator Fan Motor for 50073	21	27186	Carel Temperature Controller IR33 before June 2021 for 50073	36
AE968	Front Grill for 50073	5	AA203	Evaporator for 50073	22	AI322	Dixell Temperature Controller - XRO6CX-4N1F1 after June 2021 for 50073	36
AE969	Back Grill for 50073	6	AE980	Evaporator Cover for 50073	23	AE984	Thermostat Installation Cover for 50073	37
AA308	Door for 50073	7	AA319	Defroster Heater before June 2021 for 50073	24	AA216	Drain Tube for 50073	38
AE971	Door Gasket for 50073	8	AN215	Defroster Heater after June 2021 for 50073	24	AE985	Left Rail for Installation Board for 50073	39
62363	Door Handle for 50073	9	AE981	Inner Drain Pan for 50073	25	AA135	Power Cord for 50073	40
AE972	Shelf for 50073	10	64167	Compressor R290 for 50073	26	AB594	Filter D25x160-B for 50073	41
AE973	Shelf Rail for 50073	11	AL933	Condenser Fan Cover for 50073	27	AB595	Filter Fixer for 50073	42
AE974	Panel Under Table for 50073	12	AA208	Condenser Fan Blade for 50073	28	AA205	Inner Drain Pipe for 50073	43
62367	Under Table Frame Component for 50073	13	AA209	Condenser Fan Motor before June 2021 for 50073	29	AE986	Door Limit Block for 50073	44
AA196	Key for 50073	14	AN216	Condenser Fan Motor after June 2021 for 50073	29	AA192	Back Limit Block for 50073	45
AA197	Lock for 50073	15	AA210	Condenser for 50073	30			
AE976	Top Board for 50073	16	AE905	Outer Drain Pan for 50073	31			