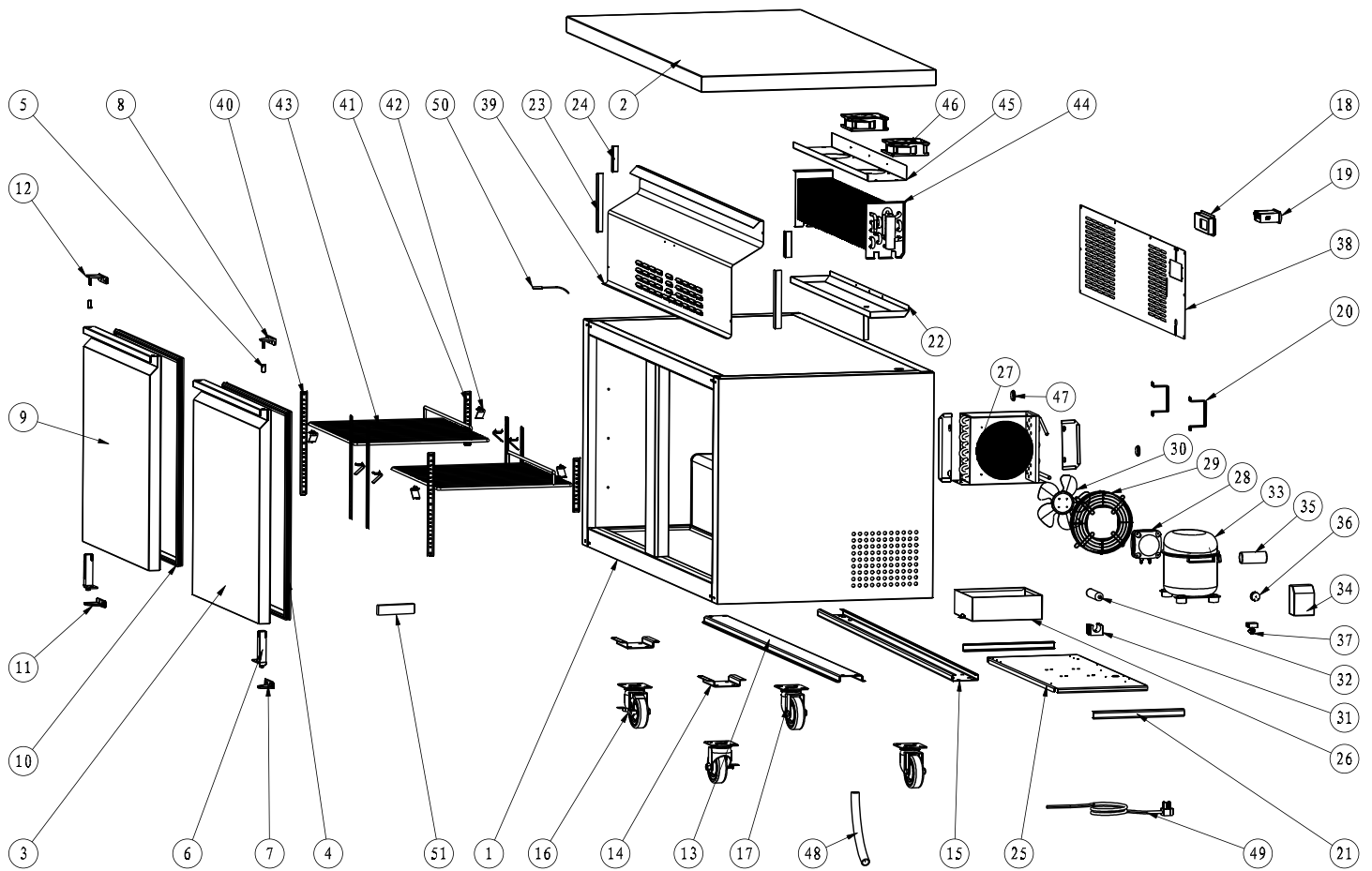


Parts Breakdown

Model **RE-CN-0011-BS-HC** 50097



Parts Breakdown

Model RE-CN-0011-BS-HC 50097

Item No.	Description	Position	Item No.	Description	Position	Item No.	Description	Position
AF743	Cabinet for 50097	1	27185	Carel Temperature Controller PYGX1Z0501 (before July 20, 2022) for 50097	19	AB594	Filter D25x160-B for 50097	32
AF744	Top Board for 50097	2	AI375	Dixell Temperature Controller (after July 20, 2022) for 50097	19	AE906	Compressor for 50097	33
AF745	Right Door for 50097	3	AF080	Stand Off Bracket for 50097	20	AF750	Back Grill for 50097	38
AB197	Gasket for 50097	4, 10	AF085	Compressor Unit Track for 50097	21	AF751	Evaporator Cover for 50097	39
AA388	Axis Cover for 50097	5	AF749	Inner Drain Pan for 50097	22	AF090	K Strip-3 Holes for 50097	40
AA955	Left/Right Spring Hinge for 50097	6	AF738	Evaporator Cover Sticker for 50097	23	AF089	K Strip-2 Holes for 50097	41
AA360	Hinge T for 50097	7	AF739	Evaporator Cover Sticker for 50097	24	26884	K Clip for 50097	42
AF070	Hinge X for 50097	8	AF106	Compressor Unit Installation Board for 50097	25	AB220	Shelf for 50097	43
AF746	Left Door for 50097	9	AA874	Outer Drain Pan for 50097	26	AB221	Evaporator for 50097	44
61468	Hinge V for 50097	11	AB213	Condenser (before July 20, 2022) for 50097	27	AF752	Fan Motor Installation Board for 50097	45
AB200	Hinge W for 50097	12	AB159	Condenser (after July 20, 2022) for 50097	27	AE901	Evaporator Fan Motor (before July 20, 2022) for 50097	46
AF747	Castor Support B for 50097	13	AF030	Evaporator Fan Motor (before July 20, 2022) for 50097	28	AA128	Condenser Fan Motor (after July 20, 2022) for 50097	46
AF734	Castor Support C for 50097	14	AI963	Condenser Fan Motor (after July 20, 2022) for 50097	28	AB169	Foaming Hole Cover for 50097	47
AF748	Castor Support A for 50097	15	AA207	Condenser Fan Motor Cover for 50097	29	AA133	Drain Hose for 50097	48
26246	Caster with Brake for 50097	16	AA208	Condenser Fan Blade (before July 20, 2022) for 50097	30	AA135	Power Cord for 50097	49
26247	Caster without Brake for 50097	17	AI391	Blade of Condenser Fan Motor (after July 20, 2022) for 50097	30	AA379	Temperature Probe for 50097	50
AB320	Thermostat Installation Board for 50097	18	AB595	Filter Fixer for 50097	31	AA596	Thermometer for 50097	51