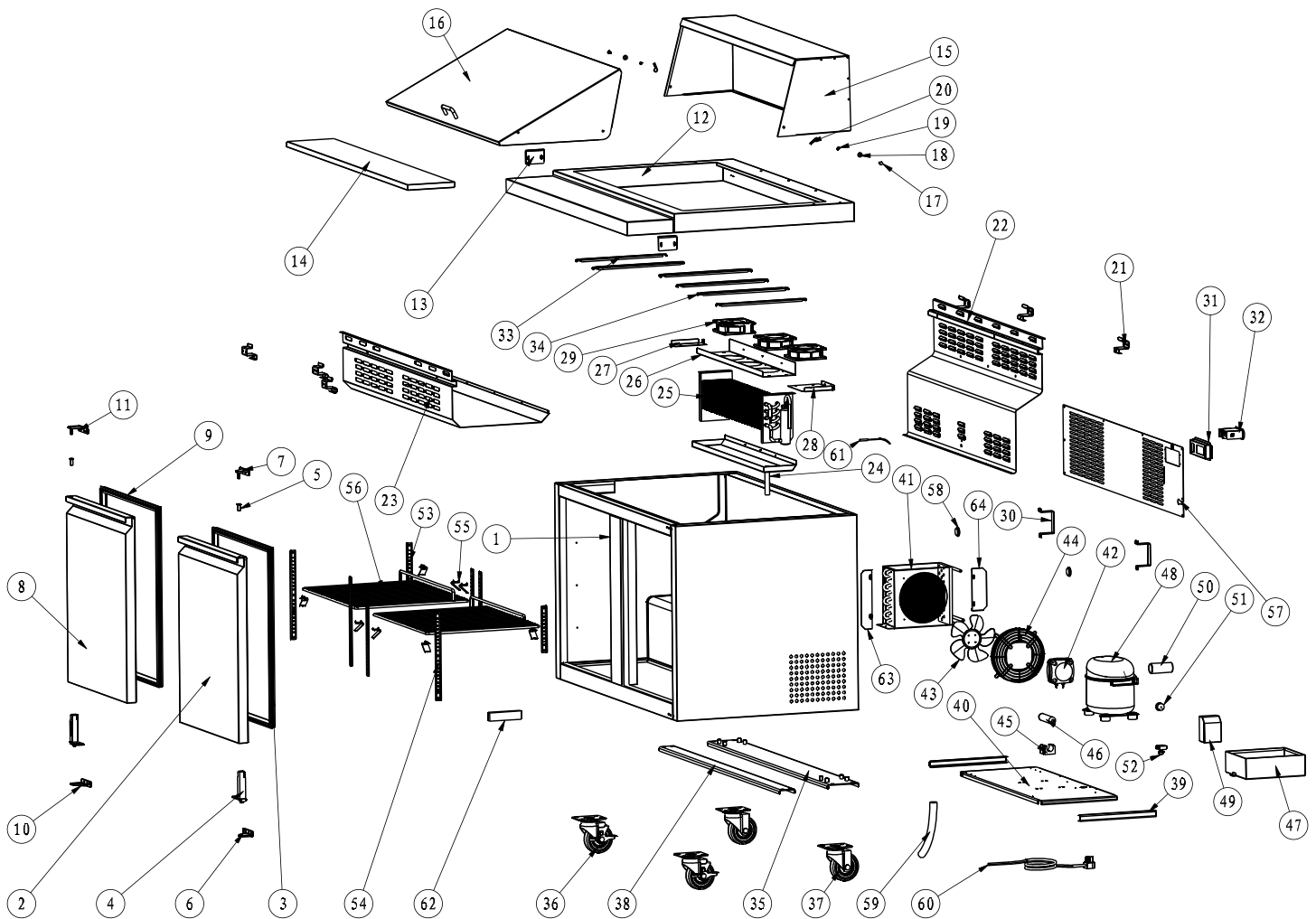


# Parts Breakdown

**Model PT-CN-0920-M-HC** 50129



# Parts Breakdown

## Model PT-CN-0920-M-HC 50129

Item No.	Description	Position	Item No.	Description	Position	Item No.	Description	Position
A0056	Cabinet for 50129	1	A0064	Evaporator Cover for 50129	21	AL932	Condenser Fan Motor for 50129	40
A0057	Right Door for 50129	2	AF100	Inner Drain Pan for 50129	22	AI391	Blade of Condenser Fan Motor for 50129	41
A0058	Gasket for 50129	3, 9	26955	Evaporator for 50129	23	AL933	Condenser Fan Cover for 50129	42
AI945	Spring Hinge Board for 50129	4	AF146	Fan Motor Installation Panel for 50129	24	AB595	Filter Fixer for 50129	43
AA388	Axis Cover for 50129	5	A0065	Left Clapboard of Evaporator for 50129	25	AI968	Filter for 50129	44
AA360	Bottom Left Hinge for 50129	6	A0066	Right Clapboard of Evaporator for 50129	26	AF087	Outer Drain Pan for 50129	45
AF070	Upper Right Hinge for 50129	7	AA128	Condenser Fan Motor for 50129	27	AF088	Compressor for 50129	46
A0059	Left Door for 50129	8	AF080	Stand Off Bracket for 50129	28	AL934	Compressor Starting Kit for 50129	47-50
61468	Left Bottom Hinge for 50129	10	AB320	Thermostat Installation Board for 50129	29	AF089	K Strip-2 Holes for 50129	51
AB200	Upper Left Hinge for 50129	11	AL929	Thermostat for 50129	30	AF090	K Strip-3 Holes for 50129	52
A0070	Top Board for 50129	12	AF140	Pan Bracket-15 for 50129	31	26884	K Clip for 50129	53
A0071	Cutting Board for 50129	13	AF141	Pan Bracket-25 for 50129	32	AN875	Shelf for 50129	54
AB253	Fixer for Cutting Board for 50129	14	A0067	Castor Support for 50129	33	A0069	Back Grill for 50129	55
A0072	Back Cover for 50129	15	26246	Caster with Brake for 50129	34	AB169	Foaming Hole Cover for 50129	56
A0073	Lid for 50129	16	26247	Caster without Brake for 50129	35	AA133	Drain Hose for 50129	57
AB256	Dowel for 50129	17	A0068	Assembling Panel Support for 50129	36	AA135	Power Cord for 50129	58
AB257	Plastic Bolt for 50129	18	AF085	Compressor Unit Track for 50129	37	AA379	Temperature Probe for 50129	59
AB258	Nut for 50129	19	AF086	Compressor Unit Installation Board for 50129	38	AA596	Thermometer for 50129	60
AB259	Split Pin for 50129	20	AB159	Condenser for 50129	39			