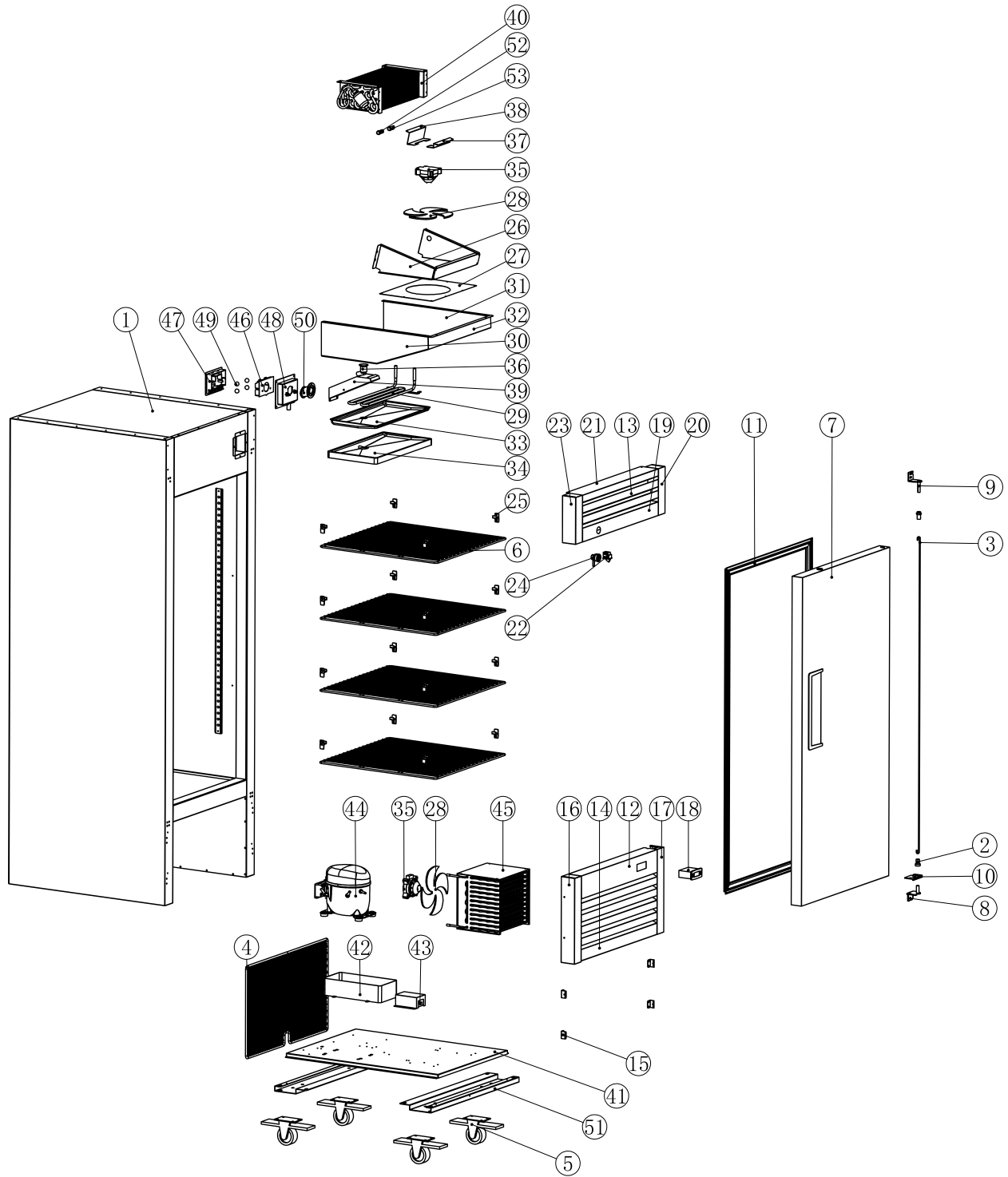


Parts Breakdown

Model RE-TH-0021-HC 58000



Parts Breakdown

Model RE-TH-0021-HC 58000

Item No.	Description	Position	Item No.	Description	Position	Item No.	Description	Position
AP985	Foam Cabinet Assembly for 58000	1	AQ002	Upper Panel-Bottom for 58000	19	AQ017	Fan Bracket-Front for 58000	37
AP986	Hinge Fixed Shaft Cover - Bottom for 58000	2	AQ003	Upper Panel-Right for 58000	20	AQ018	Fan Bracket - Rear for 58000	38
AP987	Door Torque Wire for 58000	3	AQ004	Upper Panel-Top for 58000	21	AQ019	Drainage Outlet Baffle for 58000	39
AP988	Rear Ventilation Window for 58000	4	AQ005	On/Off Switch for 58000	22	AQ020	Evaporator for 58000	40
AP989	Universal Wheel for 58000	5	AQ006	Upper Panel-Left for 58000	23	AQ021	Cabin Floor for 58000	41
AP990	Shelf for 58000	6	AQ007	Door Lock for 58000	24	AQ022	Water-Storage Box for 58000	42
AP991	Door Panel-Right for 58000	7	AP930	Grey K-Clip for 58000	25	AQ023	Junction Box for 58000	43
AP992	Lower Right Hinge for 58000	8	AQ008	Air Duct for 58000	26	AN293	Compressor NUT55NR for 58000	44
AP993	Upper Right Hinge for 58000	9	AQ009	Air Duct Cover for 58000	27	AP938	Condenser (OD4.7x14520mm) for 58000	45
AP994	Hinge Fixing Plate-Right for 58000	10	AP939	Fan Blade (EBM) for 58000	28	AQ024	Inner Plate-Pneumatic Balancing Valve for 58000	46
AP995	Gasket for 58000	11	AQ010	Steel Tube Heaters for 58000	29	AQ025	Outer Plate-Pneumatic Balancing Valve for 58000	47
AP996	Lower Panel-Top for 58000	12	AQ011	Air Duct Baffle-Left for 58000	30	AQ026	Pre-Embedded Box-Pneumatic Balancing Valve for 58000	48
AP997	Lower Panel-Middle for 58000	13	AQ012	Air Duct Baffle-Right for 58000	31	AQ027	Solid Plastic Ball for 58000	49
AP998	Lower Panel-Bottom for 58000	14	AQ013	Windshield for 58000	32	AQ028	Drainage Outlets - Pneumatic Balancing Valve for 58000	50
AP999	Lower Panel Fixings for 58000	15	AQ014	Water Tray for 58000	33	AQ029	Cabinet Support Plate for 58000	51
AQ000	Lower Panel-Left for 58000	16	AQ015	Water Tray Foams for 58000	34	AQ030	Evaporation Sensor for 58000	52
AQ001	Lower Panel-Right for 58000	17	AP940	Condenser Motor for 58000	35	AQ031	Cabinet Temperature Sensor for 58000	53
AP945	Controller (Dixell) 115V/60Hz for 58000	18	AQ016	Drainage Joints for 58000	36			