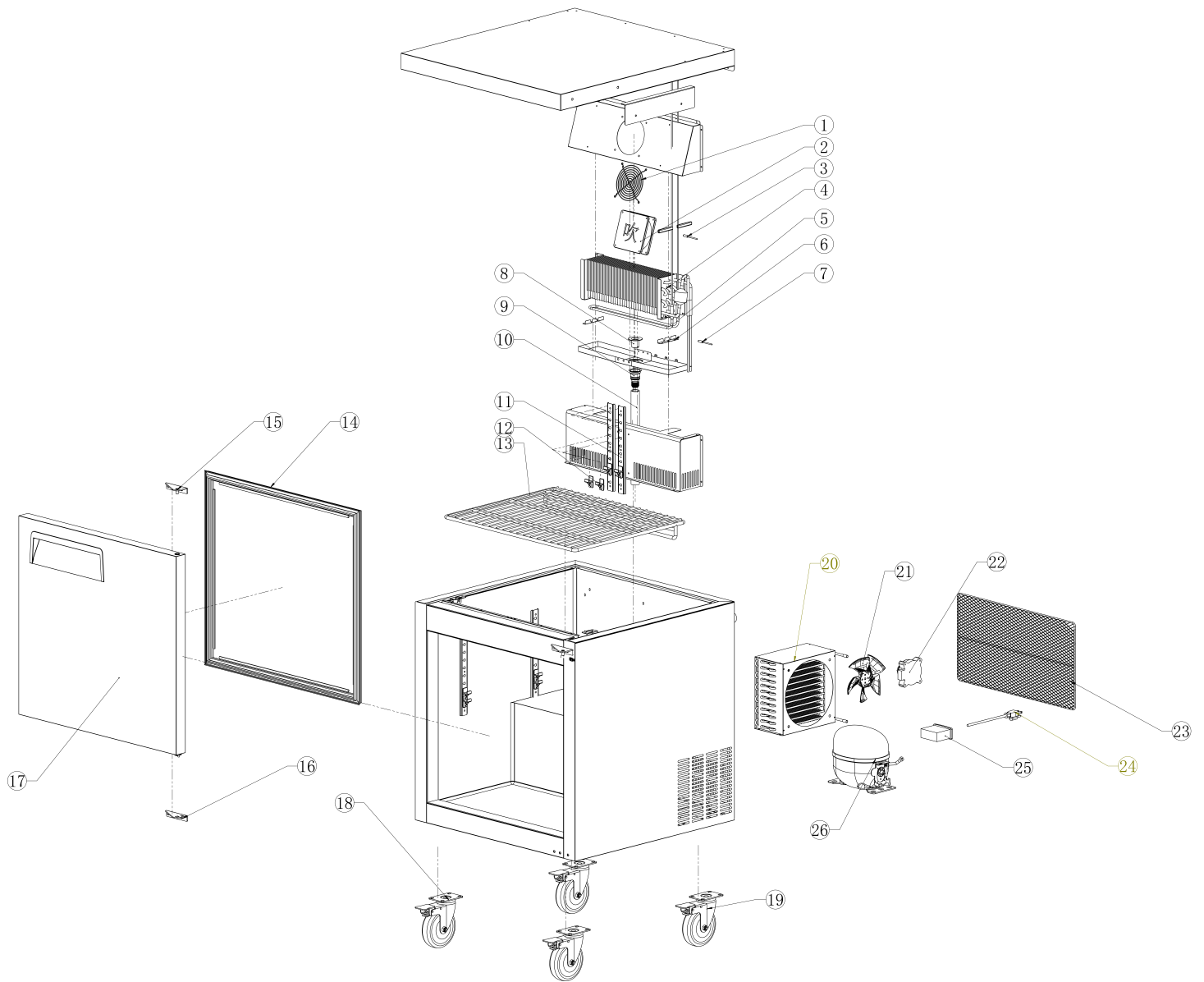


# Parts Breakdown

Model RE-TH-0006-HC 58010



# Parts Breakdown

## Model RE-TH-0006-HC 58010

Item No.	Description	Position	Item No.	Description	Position	Item No.	Description	Position
AP919	Fan Stainless Steel Mesh Cover for 58010	1	AP930	Grey K-Clip for 58010	12	AP938	Condenser (OD4.7x14520mm) for 58010	20
AP920	Evaporator Motor for 58010	2	AP931	Shelf for 58010	13	AP939	Fan Blade (EBM) for 58010	21
AP922	Evaporator for 58010	4	AP932	Gasket for 58010	14	AP940	Condenser Motor for 58010	22
AP925	Temperature Sensor Probe (White) for 58010	7	AP933	Top Hinge for 58010	15	AP941	Mesh Plate (-AU07) for 58010	23
AP926	Drainage Outlet - Top for 58010	8	AP934	Bottom Hinge for 58010	16	AP942	Power Cable (Black) for 58010	24
AP927	Drainage Outlet - Bottom for 58010	9	AP935	Doors Assembly for 58010	17	AP945	Controller (Dixell) 115V/60Hz for 58010	25
AP928	Outside Drain Pipe for 58010	10	AP936	Universal Wheel (with Brake) for 58010	18	AP944	Compressor (NUT55NR; 115-127V~60Hz R290) for 58010	26
AP929	Ladder Strip for 58010	11	AP937	Universal Wheel (without Brake) for 58010	19			