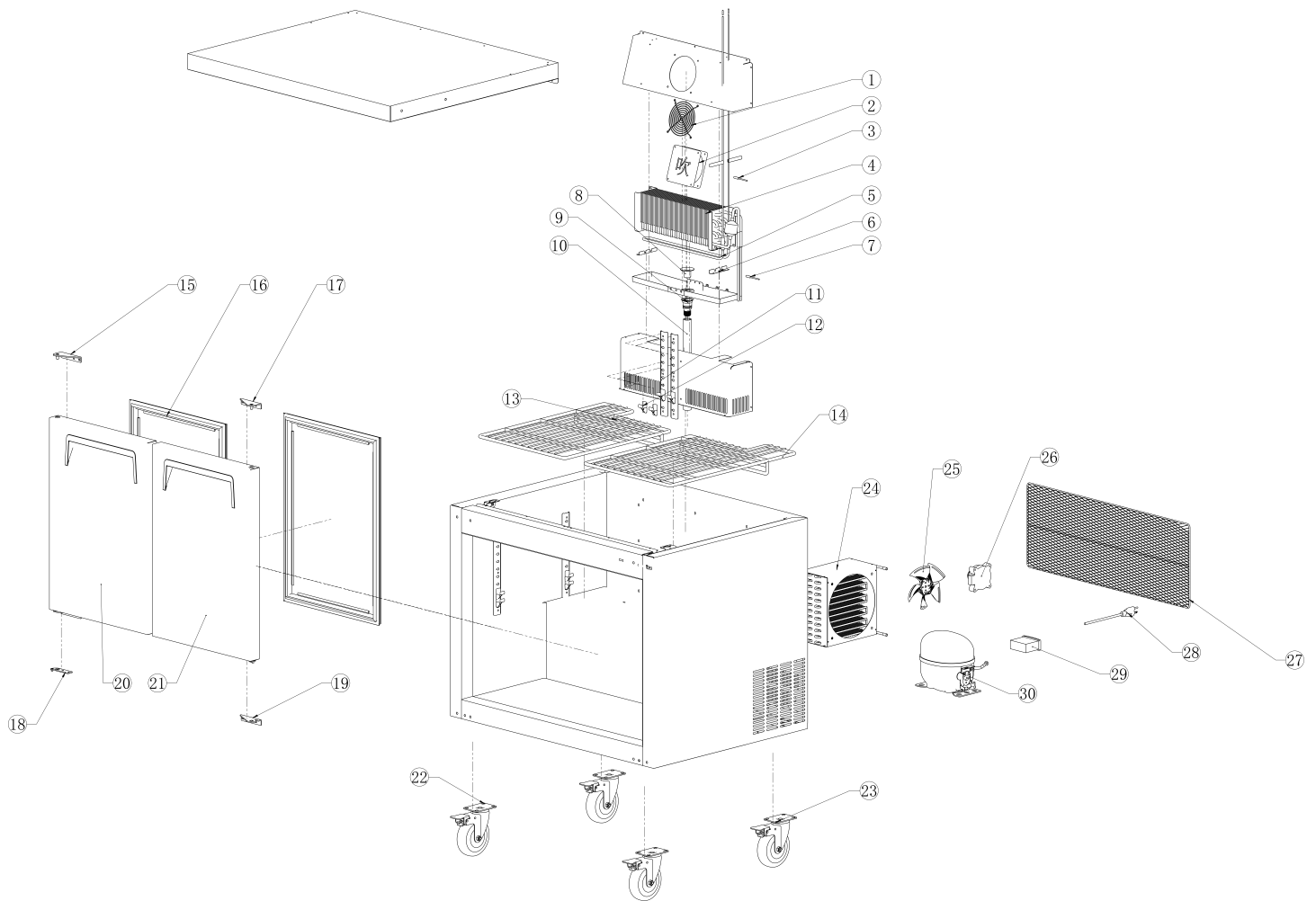


Parts Breakdown

Model **FR-TH-0008-HC** 58013



Parts Breakdown

Model *FR-TH-0008-HC* 58013

Item No.	Description	Position	Item No.	Description	Position	Item No.	Description	Position
AP919	Fan Stainless Steel Mesh Cover for 58013	1	AP929	Ladder Strip for 58013	11	AP956	Doors Assembly (Right) for 58013	21
AP920	Evaporator Motor for 58013	2	AP930	Grey K-Clip for 58013	12	AP936	Universal Wheel (with Brake) for 58013	22
AP921	Temperature Sensor Probe (Black) for 58013	3	AP950	Shelf (Left) for 58013	13	AP937	Universal Wheel (without Brake) for 58013	23
AP922	Evaporator for 58013	4	AP951	Shelf (Right) for 58013	14	AP938	Condenser (OD4.7x14520mm) for 58013	24
AP923	Frost Heating Tube for 58013	5	AP952	Top Hinge (Left) for 58013	15	AP939	Fan Blade (EBM) for 58013	25
AP924	Heating Tube Fixings for 58013	6	AP953	Gasket for 58013	16	AP940	Condenser Motor for 58013	26
AP925	Temperature Sensor Probe (White) for 58013	7	AP933	Top Hinge (Right) for 58013	17	AP957	Mesh Plate (-AU09) for 58013	27
AP926	Drainage Outlet - Top for 58013	8	AP954	Bottom Hinge (Left) for 58013	18	AP942	Power Cable (Black) for 58013	28
AP927	Drainage Outlet - Bottom for 58013	9	AP934	Bottom Hinge (Right) for 58013	19	AP943	Controller (Dixell) 115V/60Hz for 58013	29
AP928	Outside Drain Pipe for 58013	10	AP955	Doors Assembly (Left) for 58013	20	AN293	Compressor (NUT55NR; 115-127V~60Hz R290) for 58013	30