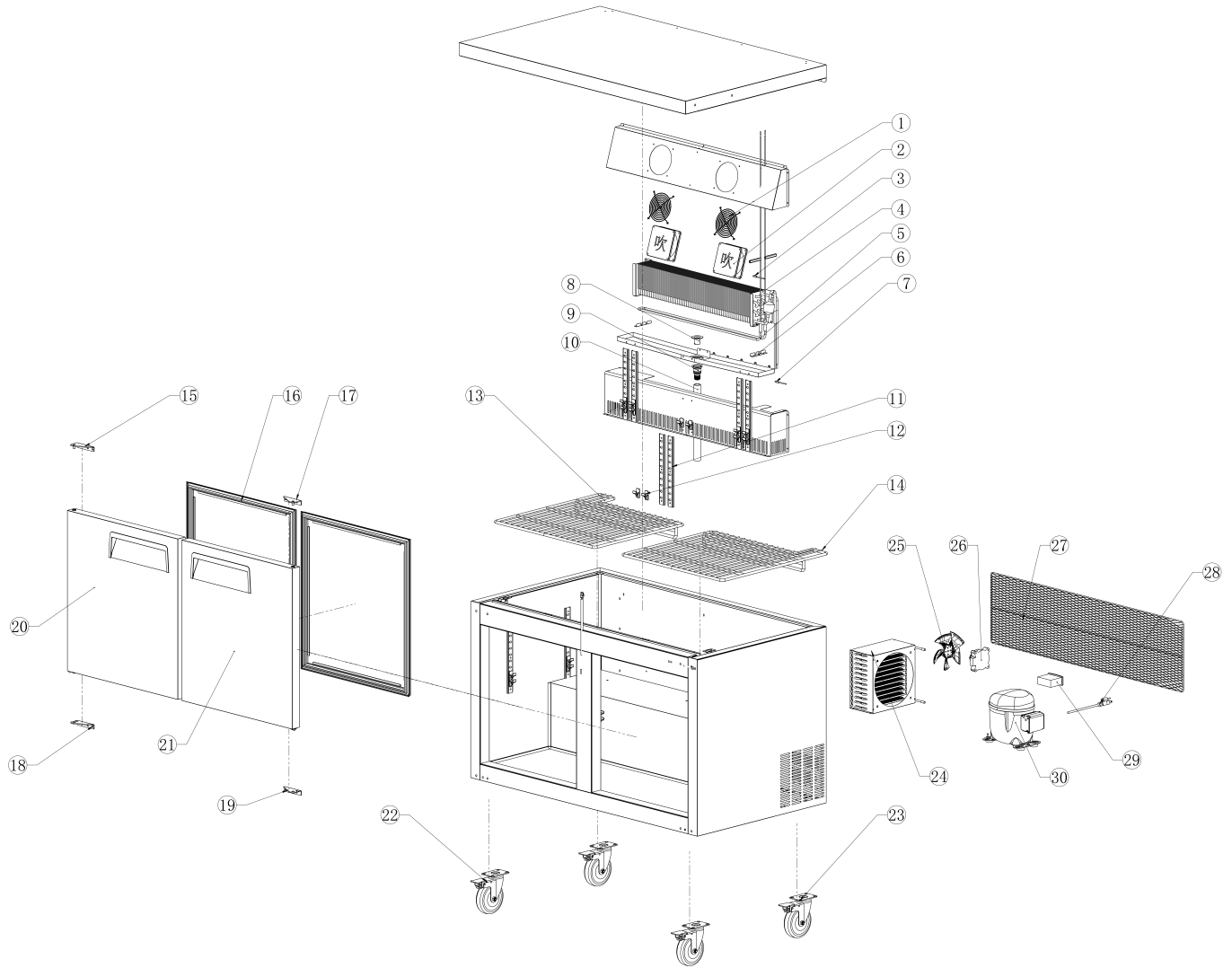


# Parts Breakdown

Model **RE-TH-0011-HC** 58014



# Parts Breakdown

## Model RE-TH-0011-HC 58014

Item No.	Description	Position	Item No.	Description	Position	Item No.	Description	Position
AP919	Fan Stainless Steel Mesh Cover for 58014	1	AP961	Shelf (Left) for 58014	13	AP936	Universal Wheel (with Brake) for 58014	22
AP920	Evaporator Motor for 58014	2	AP962	Shelf (Right) for 58014	14	AP937	Universal Wheel (without Brake) for 58014	23
AP959	Evaporator for 58014	4	AP952	Top Hinge (Left) for 58014	15	AP938	Condenser (OD4.7x14520mm) for 58014	24
AP925	Temperature Sensor Probe (White) for 58014	7	AP963	Gasket for 58014	16	AP939	Fan Blade (EBM) for 58014	25
AP926	Drainage Outlet - Top for 58014	8	AP933	Top Hinge (Right) for 58014	17	AP940	Condenser Motor for 58014	26
AP927	Drainage Outlet - Bottom for 58014	9	AP954	Bottom Hinge (Left) for 58014	18	AP967	Mesh Plate (-AU09) for 58014	27
AP928	Outside Drain Pipe for 58014	10	AP934	Bottom Hinge (Right) for 58014	19	AP942	Power Cable (Black) for 58014	28
AP929	Ladder Strip for 58014	11	AP964	Doors Assembly (Left) for 58014	20	AP945	Controller (Dixell) 115V/60Hz for 58014	29
AP930	Grey K-Clip for 58014	12	AP965	Doors Assembly (Right) for 58014	21	AN293	Compressor (NUT55NR; 115-127V~60Hz R290) for 58014	30