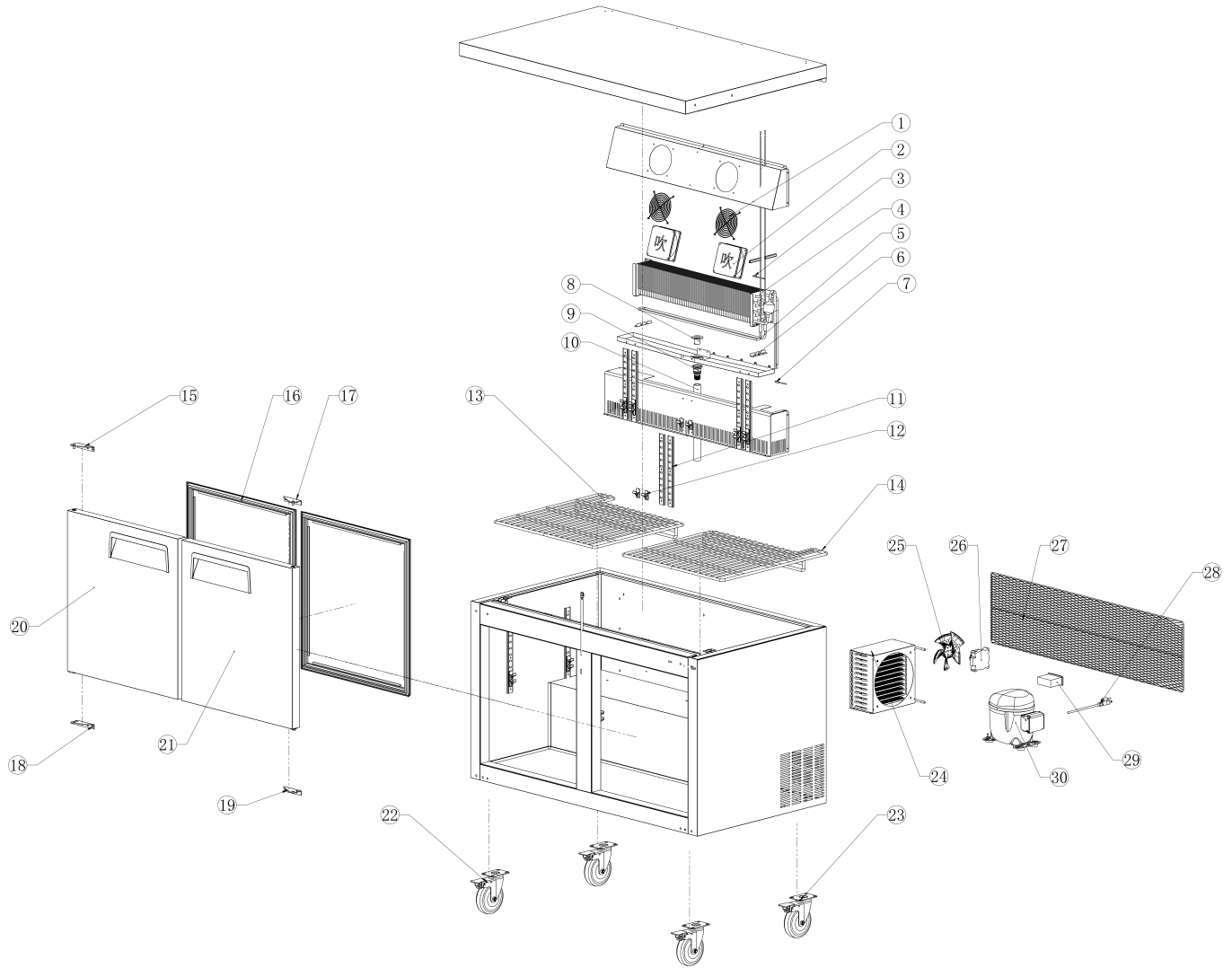


Parts Breakdown

Model **FR-TH-1219-HC** 58015



Parts Breakdown

Model FR-TH-1219-HC 58015

Item No.	Description	Position	Item No.	Description	Position	Item No.	Description	Position
AP919	Fan Stainless Steel Mesh Cover for 58015	1	AP929	Ladder Strip for 58015	11	AP965	Doors Assembly (Right) for 58015	21
AP920	Evaporator Motor for 58015	2	AP930	Grey K-Clip for 58015	12	AP936	Universal Wheel (with Brake) for 58015	22
AP921	Temperature Sensor Probe (Black) for 58015	3	AP961	Shelf (Left) for 58015	13	AP937	Universal Wheel (without Brake) for 58015	23
AP959	Evaporator for 58015	4	AP962	Shelf (Right) for 58015	14	AP966	Condenser (OD4.7x26110mm) for 58015	24
AP960	Frost Heating Tube for 58015	5	AP952	Top Hinge (Left) for 58015	15	AP939	Fan Blade (EBM) for 58015	25
AP924	Heating Tube Fixings for 58015	6	AP963	Gasket for 58015	16	AP940	Condenser Motor for 58015	26
AP925	Temperature Sensor Probe (White) for 58015	7	AP933	Top Hinge (Right) for 58015	17	AP967	Mesh Plate (-AU09) for 58015	27
AP926	Drainage Outlet - Top for 58015	8	AP954	Bottom Hinge (Left) for 58015	18	AP942	Power Cable (Black) for 58015	28
AP927	Drainage Outlet - Bottom for 58015	9	AP934	Bottom Hinge (Right) for 58015	19	AP943	Controller (Dixell) 115V/60Hz for 58015	29
AP928	Outside Drain Pipe for 58015	10	AP964	Doors Assembly (Left) for 58015	20	AP968	Compressor (NPY12LR; 115-127V~60Hz R290) for 58015	30