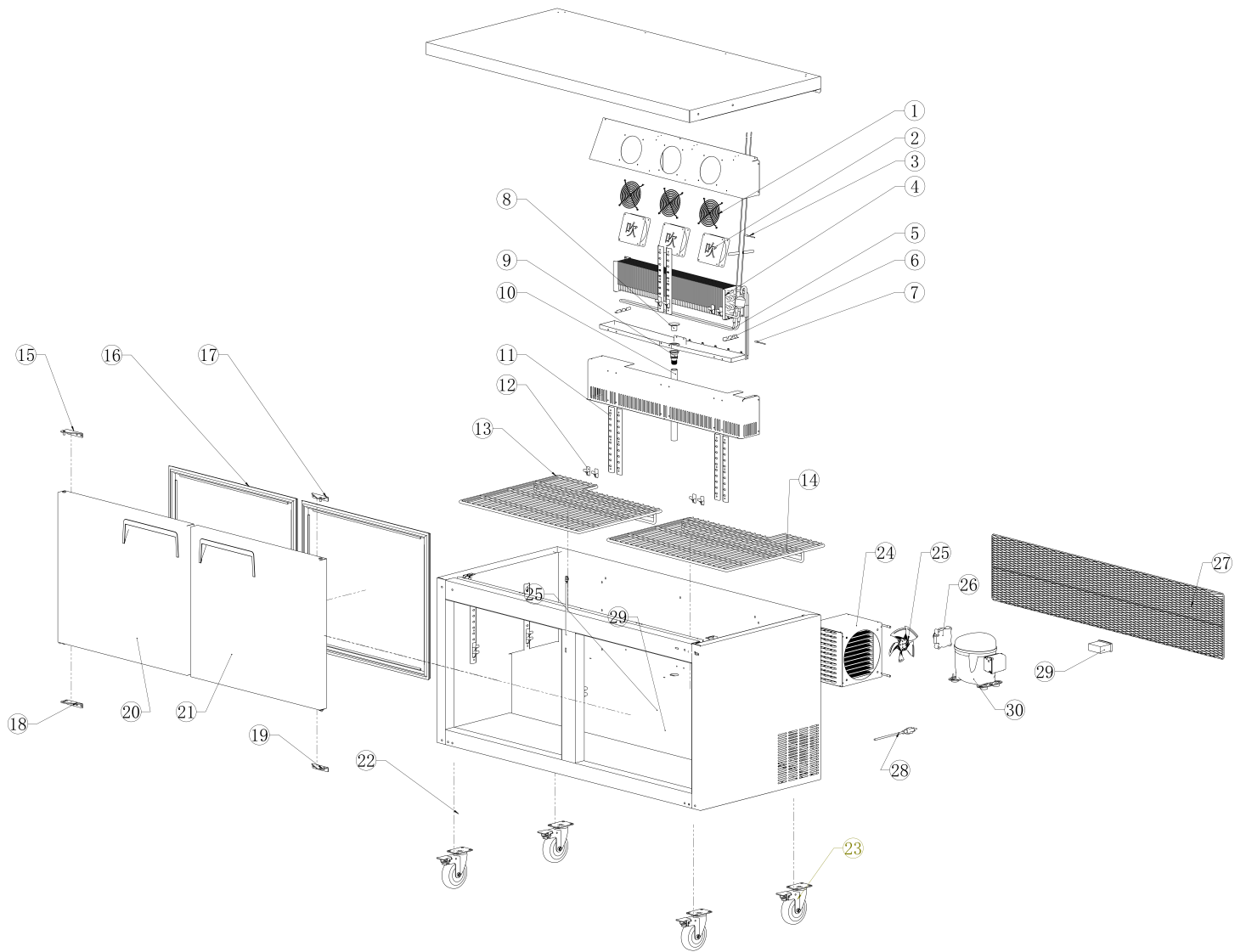


Parts Breakdown

Model RE-TH-0015-HC 58016



Parts Breakdown

Model RE-TH-0015-HC 58016

Item No.	Description	Position	Item No.	Description	Position	Item No.	Description	Position
AP919	Fan Stainless Steel Mesh Cover for 58016	1	AP971	Shelf (Left) for 58016	13	AP936	Universal Wheel (with Brake) for 58016	22
AP920	Evaporator Motor for 58016	2	AP972	Shelf (Right) for 58016	14	AP937	Universal Wheel (without Brake) for 58016	23
AP959	Evaporator for 58016	4	AP952	Top Hinge (Left) for 58016	15	AP938	Condenser (OD4.7x14520mm) for 58016	24
AP925	Temperature Sensor Probe (White) for 58016	7	AP973	Gasket for 58016	16	AP939	Fan Blade (EBM) for 58016	25
AP926	Drainage Outlet - Top for 58016	8	AP933	Top Hinge (Right) for 58016	17	AP940	Condenser Motor for 58016	26
AP927	Drainage Outlet - Bottom for 58016	9	AP954	Bottom Hinge (Left) for 58016	18	AP976	Mesh Plate (-AU09) for 58016	27
AP928	Outside Drain Pipe for 58016	10	AP934	Bottom Hinge (Right) for 58016	19	AP942	Power Cable (Black) for 58016	28
AP929	Ladder Strip for 58016	11	AP974	Doors Assembly (Left) for 58016	20	AP945	Controller (Dixell) 115V/60Hz for 58016	29
AP930	Grey K-Clip for 58016	12	AP975	Doors Assembly (Right) for 58016	21	AN293	Compressor (NUT55NR; 115-127V~60Hz R290) for 58016	30