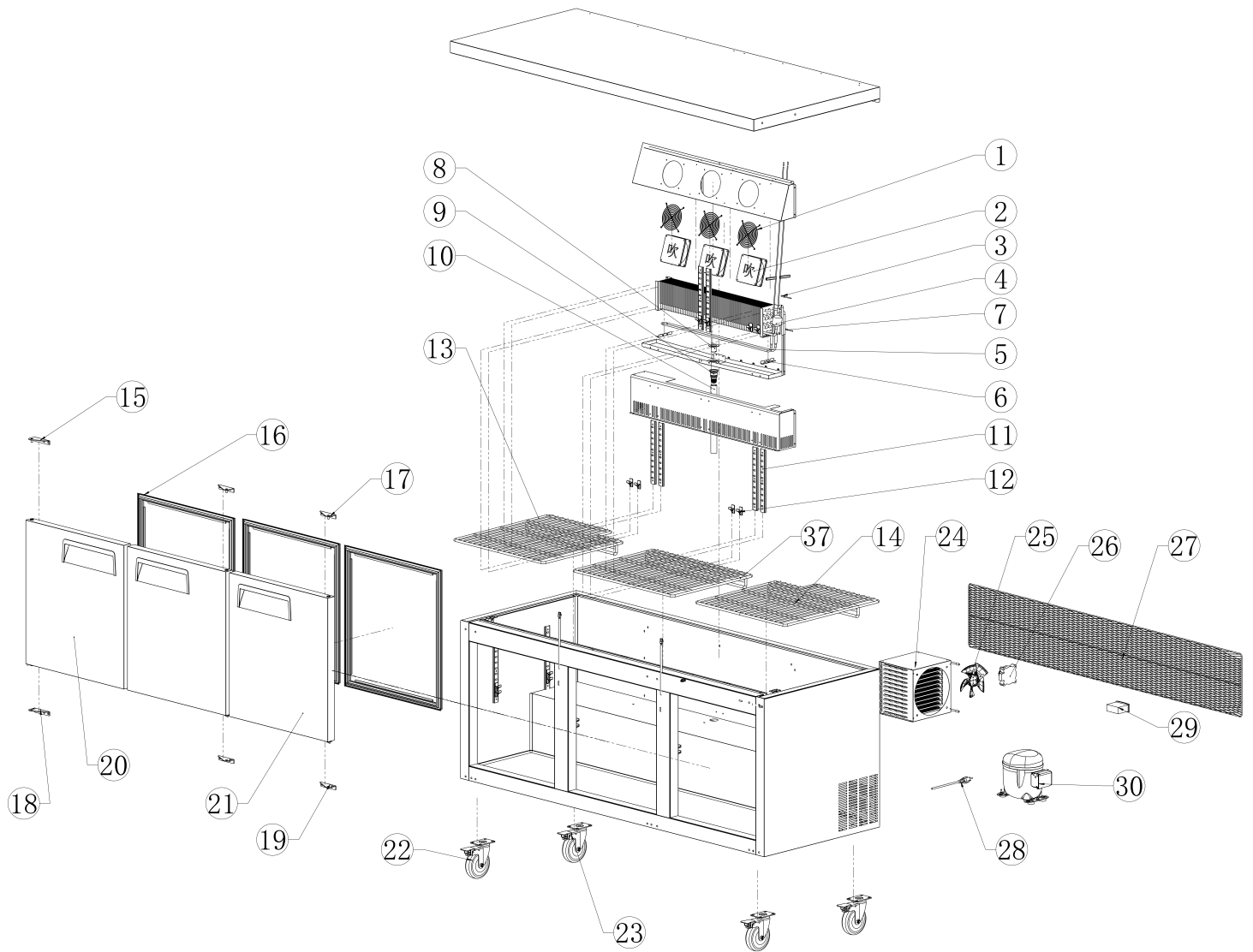


# Parts Breakdown

Model **FR-TH-1829-HC** 58019



# Parts Breakdown

## Model FR-TH-1829-HC 58019

Item No.	Description	Position	Item No.	Description	Position	Item No.	Description	Position
AP919	Fan Stainless Steel Mesh Cover for 58019	1	AP930	Grey K-Clip for 58019	12	AP937	Universal Wheel (without Brake) for 58019	23
AP920	Evaporator Motor for 58019	2	AP978	Shelf (Left) for 58019	13	AP966	Condenser (OD4.7x26110mm) for 58019	24
AP921	Temperature Sensor Probe (Black) for 58019	3	AP979	Shelf (Right) for 58019	14	AP939	Fan Blade (EBM) for 58019	25
AP959	Evaporator for 58019	4	AP952	Top Hinge (Left) for 58019	15	AP940	Condenser Motor for 58019	26
AP960	Frost Heating Tube for 58019	5	AP980	Gasket for 58019	16	AP983	Mesh Plate (-AU09) for 58019	27
AP924	Heating Tube Fixings for 58019	6	AP933	Top Hinge (Right) for 58019	17	AP942	Power Cable (Black) for 58019	28
AP925	Temperature Sensor Probe (White) for 58019	7	AP954	Bottom Hinge (Left) for 58019	18	AP943	Controller (Dixell) 115V/60Hz for 58019	29
AP926	Drainage Outlet - Top for 58019	8	AP934	Bottom Hinge (Right) for 58019	19	AP968	Compressor (NPY12LR; 115-127V~60Hz R290) for 58019	30
AP927	Drainage Outlet - Bottom for 58019	9	AP981	Doors Assembly (Left) for 58019	20	AP984	Shelf (Middle) for 58019	37
AP928	Outside Drain Pipe for 58019	10	AP982	Doors Assembly (Right) for 58019	21			
AP929	Ladder Strip for 58019	11	AP936	Universal Wheel (with Brake) for 58019	22			