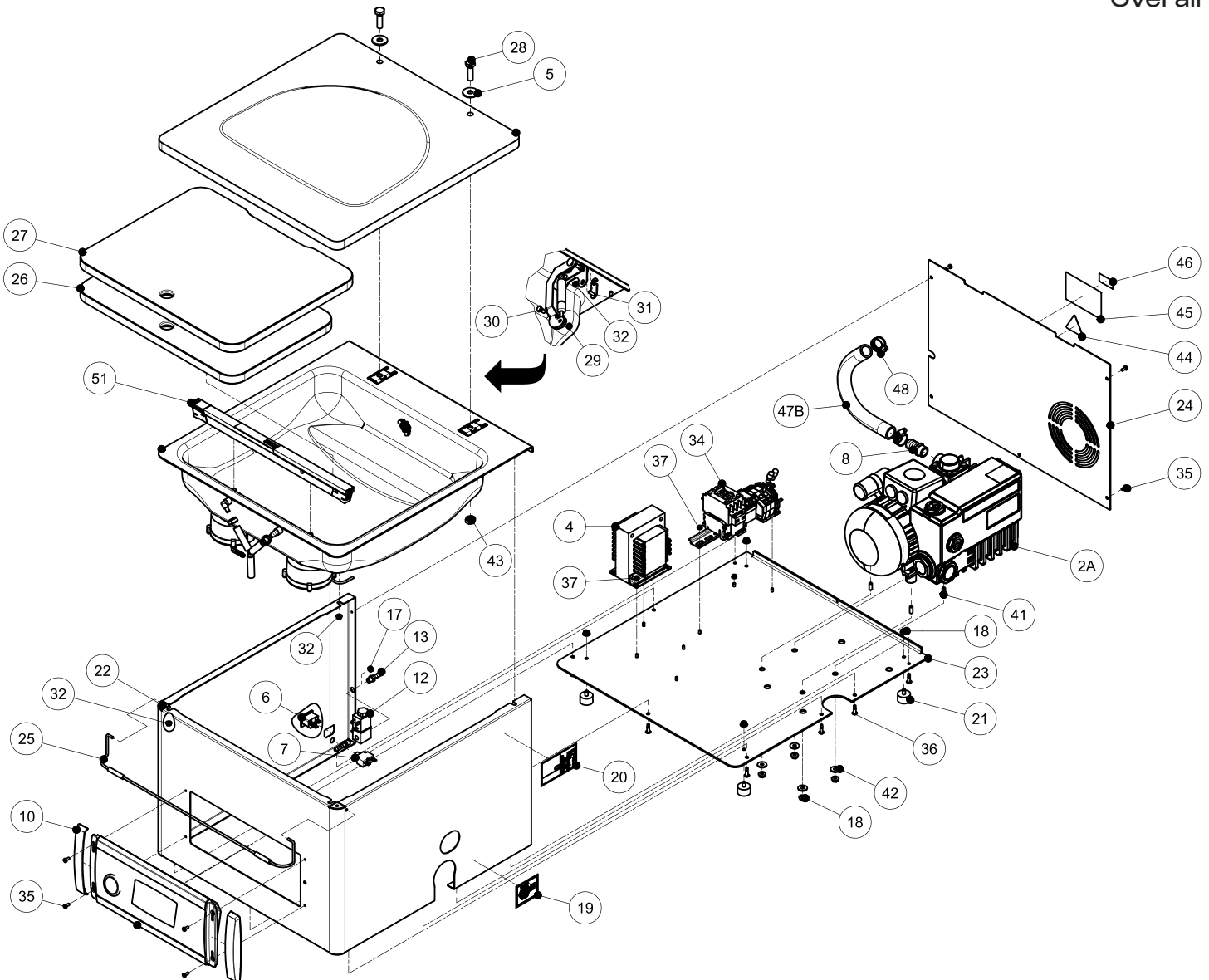


# PARTS BREAKDOWN

ITEM	MODEL
59013	VP-NL-0040-SN

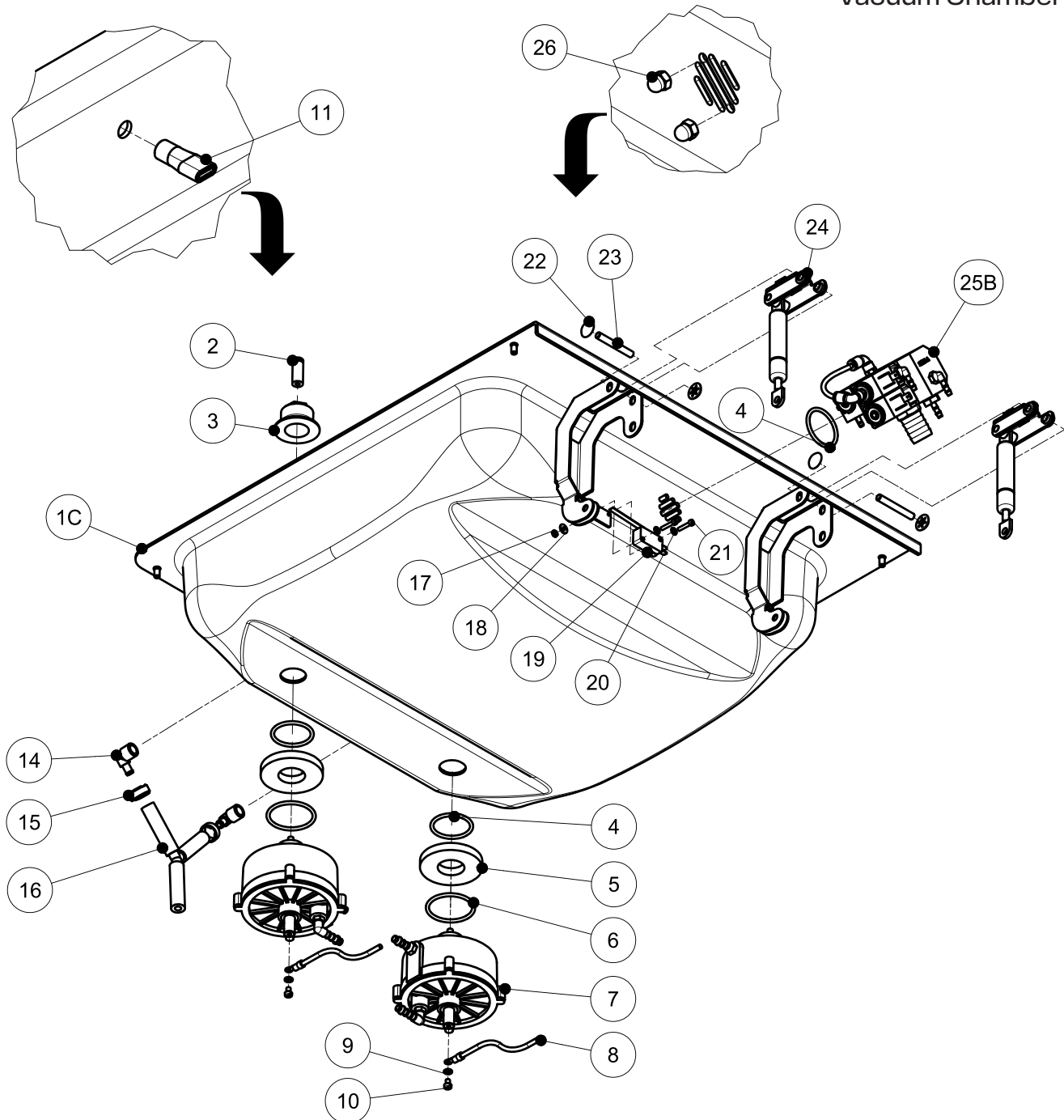
Overall



# PARTS BREAKDOWN

ITEM	MODEL
59013	VP-NL-0040-SN

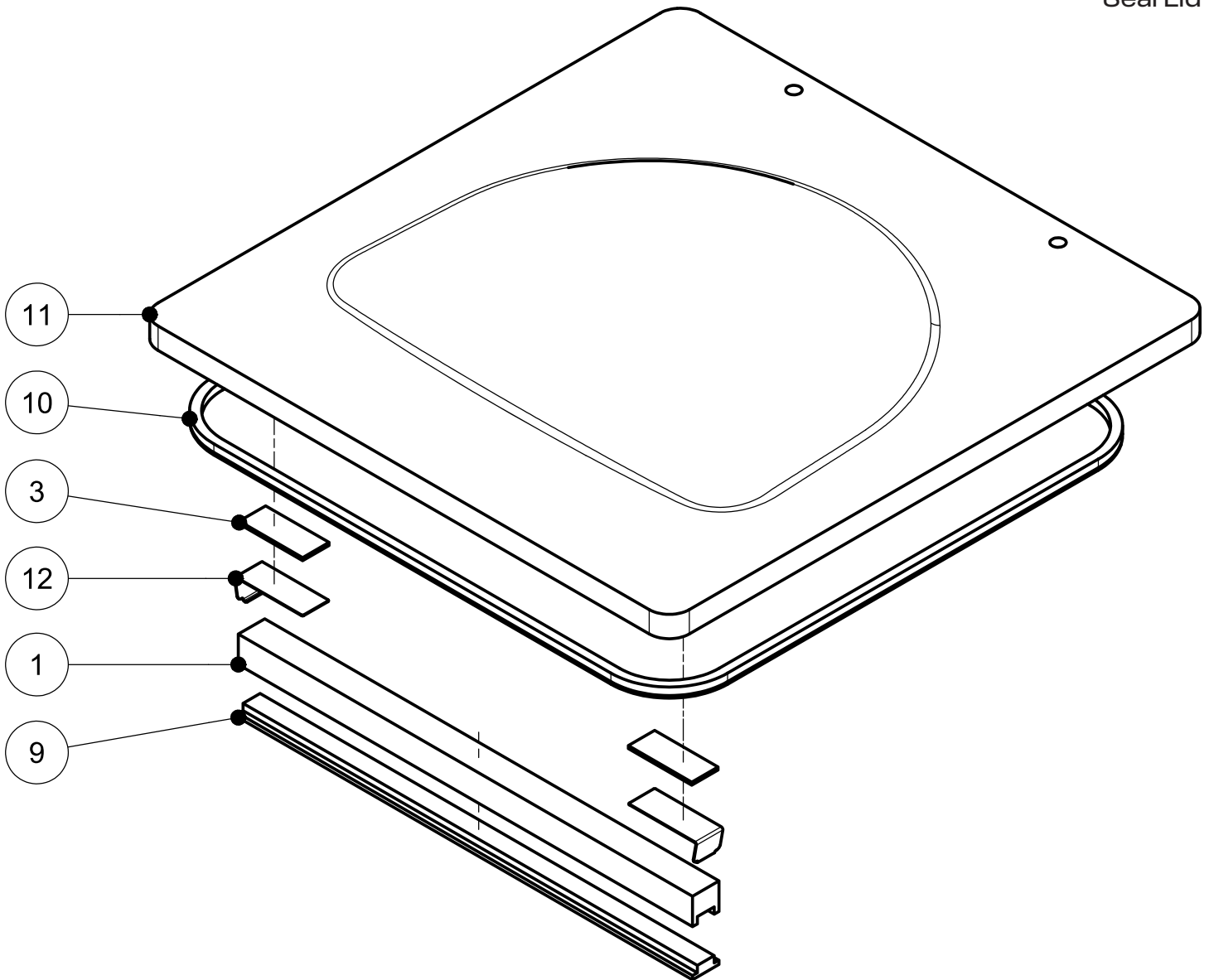
Vacuum Chamber



# PARTS BREAKDOWN

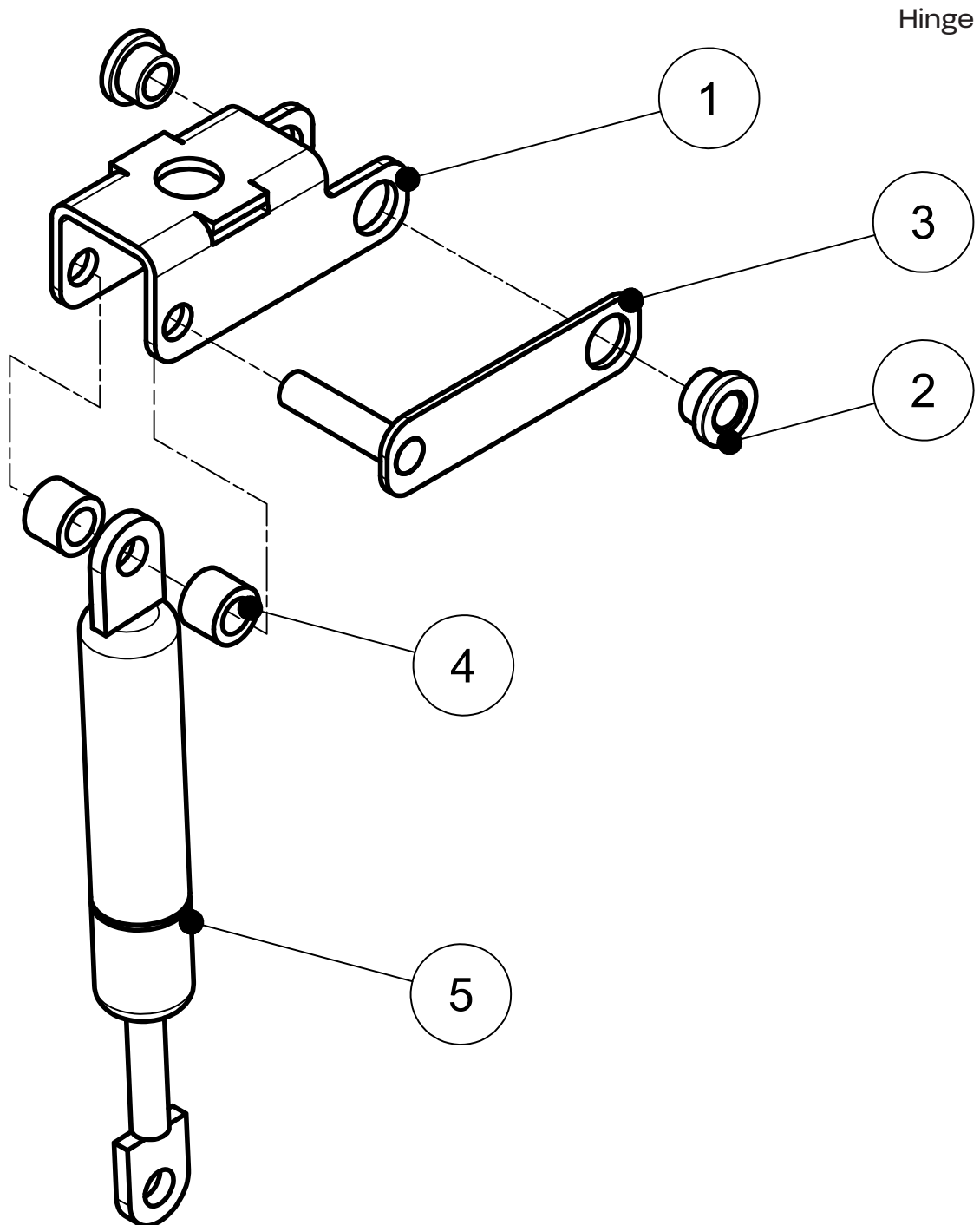
ITEM	MODEL
59013	VP-NL-0040-SN

Seal Lid



# PARTS BREAKDOWN

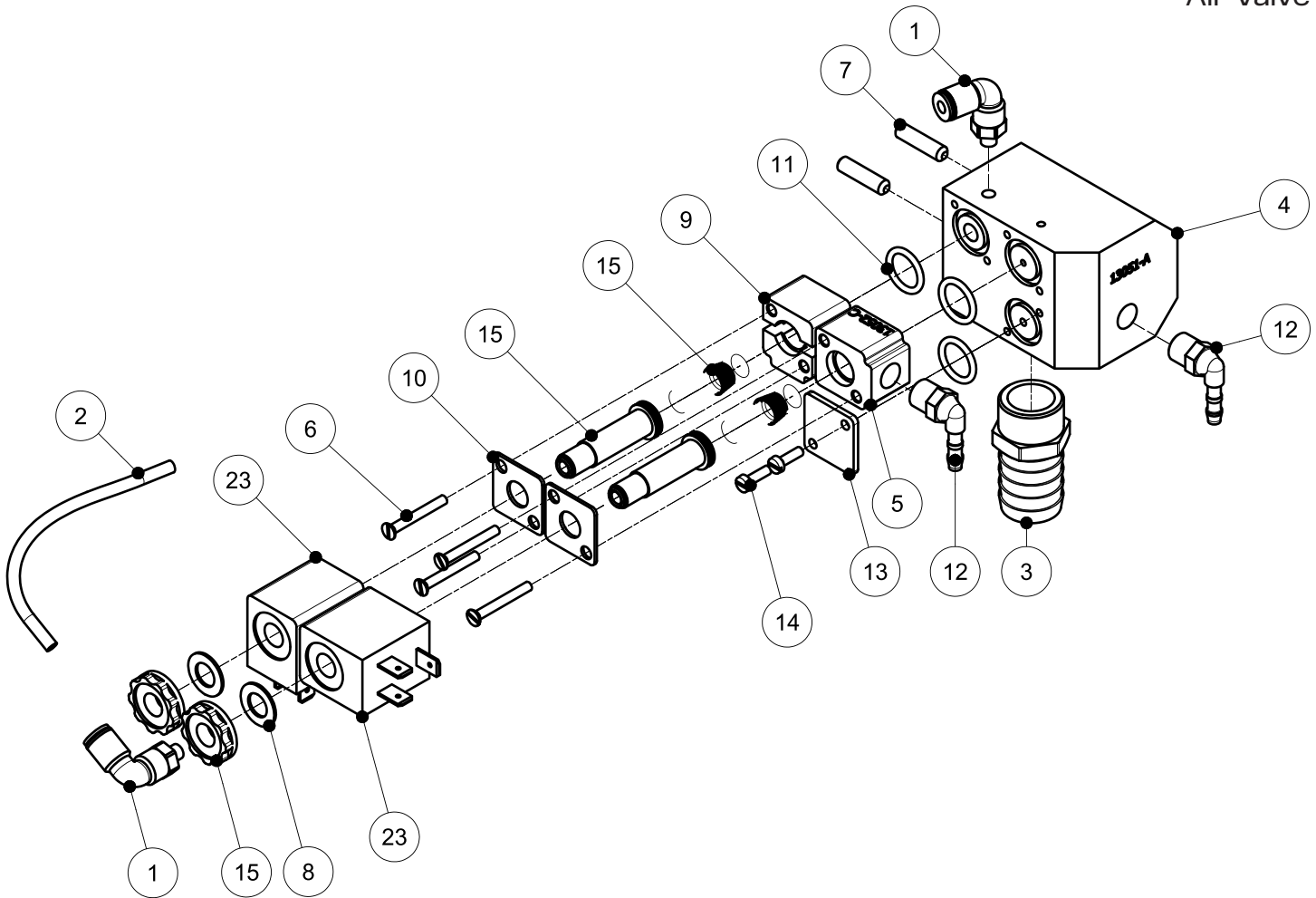
ITEM	MODEL
59013	VP-NL-0040-SN



# PARTS BREAKDOWN

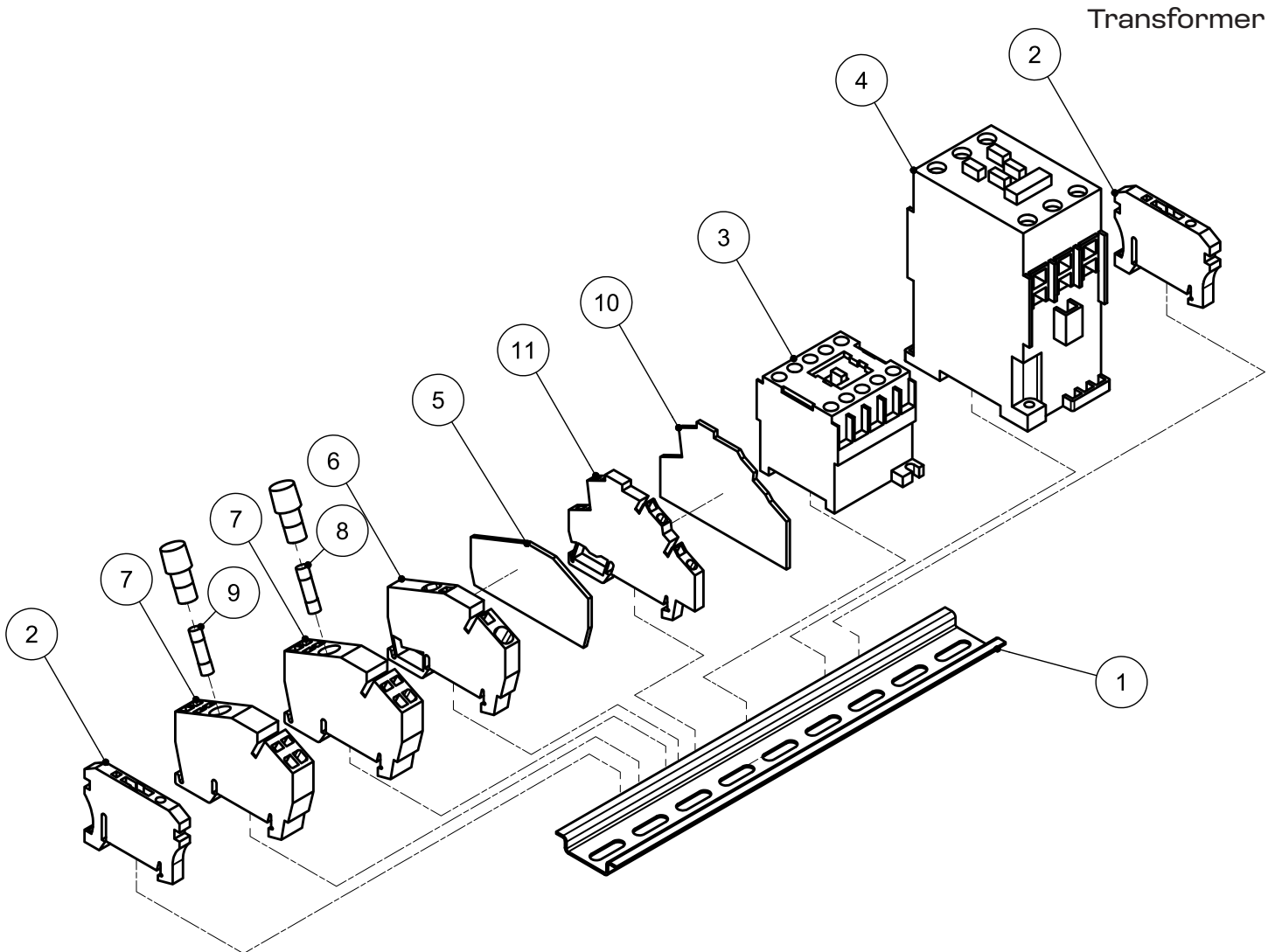
ITEM	MODEL
59013	VP-NL-0040-SN

Air Valve



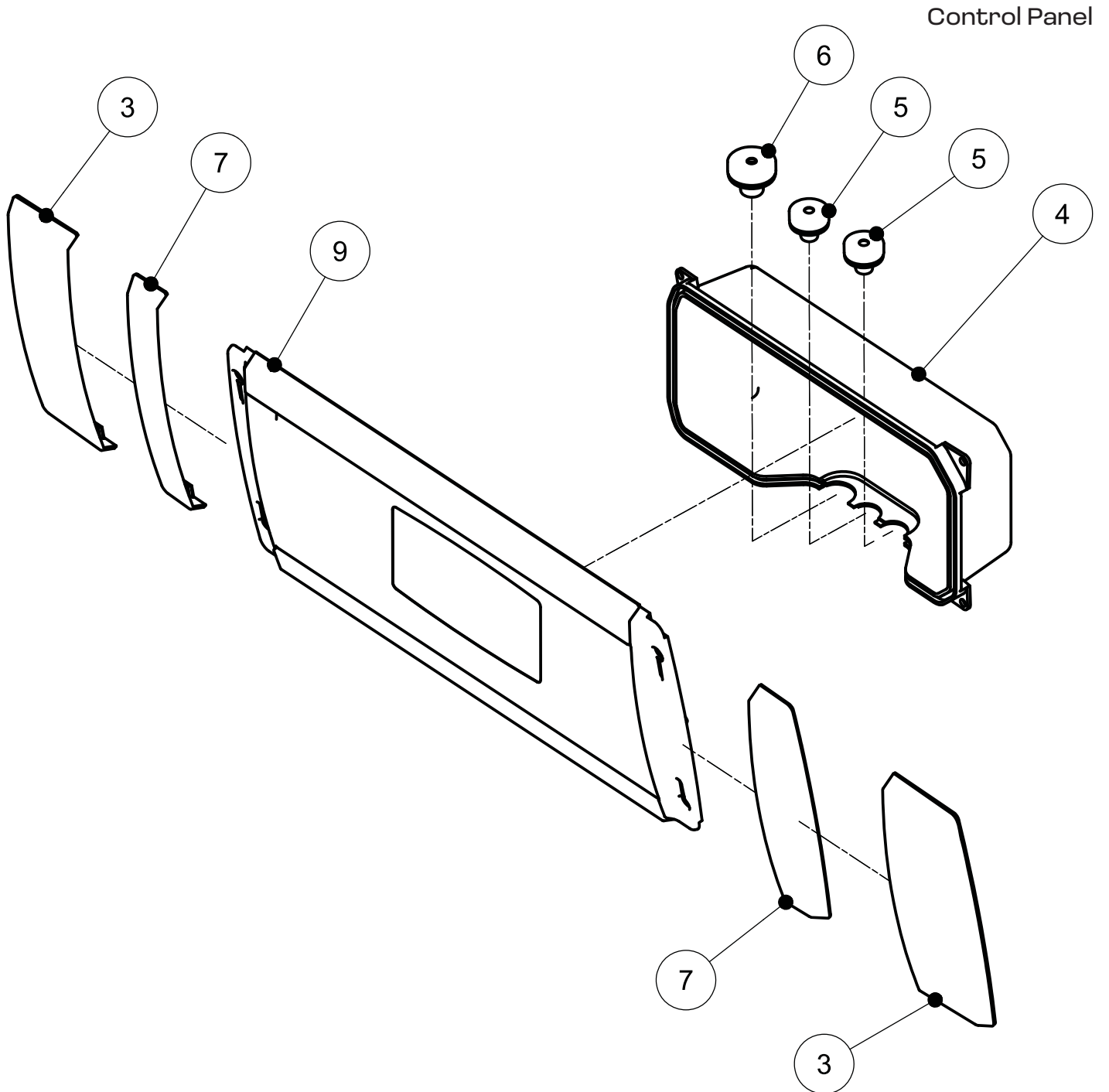
# PARTS BREAKDOWN

ITEM	MODEL
59013	VP-NL-0040-SN



# PARTS BREAKDOWN

ITEM	MODEL
59013	VP-NL-0040-SN



# PARTS BREAKDOWN

ITEM	MODEL
59013	VP-NL-0040-SN

Overall

Item No.	Description	Position	Item No.	Description	Position	Item No.	Description	Position
AC927	Vac Pump 021-336 110/115-1-60 for 59013	2B	27796	Sticker Oil for 59013	19	65838	Din Rail D 1Fase for 59013	34C
35039	Y Connecting Piece 6mm for 59013	4	27794	Sticker Machine Type for 59013	20	27789	Slott.Rais.Counter.Head Screw M4x10 DIN7985 A2 for 59013	35
27827	Flat Washer M10 D9021 A2 for 59013	5	65834	Vibration Absorber D=25 H=17 M6x10 for 59013	21	65836	Hucknagel Magna-Lok MGLP-B6-4 for 59013	36
27791	Net Entree Male Snap-In STF42 for 59013	6	65854	T4 Box for 59013	22	35041	Hose Clip Klemfa 12.8x14.8mm for 59013	37
35216	Thermal Fuse 6A for 59013	7A	65855	T4 Bottom Plate for 59013	23	35219	Flat Washer M8 D9021 A2 for 59013	39
30022	Thermal Fuse 8A for 59013	7B	65856	T4 Rear Wall for 59013	24	35220	Hexagon Screw M8x10 DIN933 A2 for 59013	40
35074	Thermal Fuse 10A for 59013	7C	65857	T4 Lid Closure for 59013	25	65839	M6x16 Hexagon Socket Set Screw DIN 916 for 59013	41
65748	Hose Bill G1-2x19mm OU. for 59013	8	AI563	Filler Plate T4 Bottom for 59013	26	27786	Flat Washer M6 D9021 A2 for 59013	42
65740	Cap Small Holder 04-Control for 59013	10	AI564	Filler Plate T4 Top for 59013	27	35978	Hexagon Nut M10 DIN934 A2 for 59013	43
35285	Valve 2/2 MA-222-003-P27-SAH 24 for 59013	12	65845	M10x35 Hex-Head Bolt DIN 933 for 59013	28	27795	Sticker Tension Triangle for 59013	44
35207	Brass Hose Coupling 1/8x6 Ext. for 59013	13	65749	M6 Hex Nut Din 985 for 59013	29	35224	Sticker 98x65 Yellow for 59013	45
65853	T-Piece G 1 8 BI for 59013	14	30005	Hexagon Screw M6x12 DIN933 A2 for 59013	30	35223	Sticker 19x38 Yellow for 59013	46
35204	Elbow 1/8 Int/Ext Brass for 59013	15	65860	Hinge Adjustment Plate 6mm AS for 59013	31	65862	T4-21m3 Pump Hose for 59013	47A
35205	Brass Double Nipple 1/8 for 59013	16	27782	Hexagon Flangenut M5 DIN6923 A2 for 59013	32	27835	Hose Clip ABA 15-24mm for 59013	48
65846	Elma Cover Knob 040-3020 Black for 59013	17	65837	Din Rail C 1Fase (1-Program) for 59013	34A	63995	Seal Bar TS-3-420 for 59013	51A
27781	Hexagon Flangenut M6 DIN6923 A2 for 59013	18	65861	Din Rail E 1Fase for 59013	34B	63994	Seal Beam DS/3/420 for 59013	51B



# PARTS BREAKDOWN

ITEM	MODEL
59013	VP-NL-0040-SN

## Vacuum Chamber

Item No.	Description	Position	Item No.	Description	Position	Item No.	Description	Position
AI883	T4-LL Vacuum Tray for 59013	1A	65776	Spring Washer DIN 127 - A4 for 59013	9	15775	Micro Switch MV3003L for 59013	19
AI884	T4 Vacuum Tray for 59013	1B	27830	Slotted Cheese Head Screw M4x6 A2 DIN84 for 59013	10	27822	Castle Washer M3 for 59013	20
AI885	T4 Vacuum Tray Gas for 59013	1C	65766	Pipe Nipple 1/8" x 6mm for 59013	11	27821	Slotted Cheese Head Screw M3x16 A2 DIN84 for 59013	21
65765	Extension Seal Cylinder 27mm for 59013	2	35407	Sealing Washer 0-1/4 for 59013	12	27810	Spring Ring with Cover 6mm / Shaft Locker with Cover for 59013	22
27799	Plastic Nut M24 for 59013	3	65771	Blind Plug 1/4' Brass/Nickel for 59013	13	AI888	Hinge Shaft TT-03 for 59013	23
27381	O-Ring 34x3mm for 59013	4	35201	Elbow Brass for Gas Pipe for 59013	14	AI889	Hinge Part T4 Assembled for 59013	24
65774	Distance Ring 8mm for Seal Cilinder 90mm for 59013	5	30019	Hose Clip Klemfa 12.8x14.8mm for 59013	15	47339	Comb.Valve Model-I LV for 59013	25A
27832	O-Ring 40x3mm for 59013	6	AI887	T4 Hose Tree for 59013	16	AI890	Combination Valve Model-I SA/LV ASSI. for 59013	25B
65764	Seal Cylinder 90mm Trough Shaft Assemb. for 59013	7	27823	Hexagon Nut M3 DIN934 A2 for 59013	17	35215	Cap Nut High M5 D1587 A2 for 59013	26
AI886	Seal Cord C1-12 for 59013	8	65772	M3 Washer DIN 9021 for 59013	18			

## Seal Lid

Item No.	Description	Position	Item No.	Description	Position	Item No.	Description	Position
AI891	Silicone Holder T4 for 59013	1	35105	Sil.Profile Lid Gasket 8mm 60 SH/25MTR for 59013	10	AI892	Acrylic Tape Double Sided 25mm L=20mm for 59013	14
62750	Acrylic Tape Double Sided 25mm L60mm for 59013	3	45626	Lid for Cover T4 for 59013	11			
15842	Silicone T Profile 40 Shore One Meter for 59013	9	65761	Clamping Spring Silicone Holder for 59013	12			

## Hinge

Item No.	Description	Position	Item No.	Description	Position	Item No.	Description	Position
AI893	Hinge Part T3 for 59013	1	AI894	Locking Plate Hinge Part for 59013	3	AI855	Gas Spring 0814MF 350N for 59013	5
35093	Guide Bearing 6x9x6 for 59013	2	AI854	Spacer 6.2x10x7.5 for 59013	4			

# PARTS BREAKDOWN

ITEM	MODEL
59013	VP-NL-0040-SN

## Air Valve

Item No.	Description	Position	Item No.	Description	Position	Item No.	Description	Position
AI896	Knee M5 4mm for 59013	1	AI900	M5x20 Hexagon Socket Set Screw DIN 916 for 59013	7	AI904	Blind Plate Combi Valve for 59013	13
AI897	Compressed Air Hose 4x2 for 59013	2	AI901	M8 Crinkle Washer DIN 137 for 59013	8	AI905	M3x10 Slotted Cheese Head Screw DIN 84 for 59013	14
65748	Hose Bill G1-2x19mm OU. for 59013	3	AI902	6mm Adapter Valves Block for 59013	9	AI666	3-2 Armature Met 8mm Seal for 59013	15
AI898	Base Block Combination Valve Model-I for 59013	4	AI903	Clamp Plate Valve Luminaire for 59013	10	AH174	Coil 24VAC 50/60Hz 8.5VA for 59013	23
AI858	Adapter Valve 2.5mm for 59013	5	AI859	O-Ring 12x2mm for 59013	11			
AI899	M3x25 Countersunk Screw DIN 963 for 59013	6	35402	Square Hose Coupling 1/8x4 Ext. for 59013	12			

## Transformer

Item No.	Description	Position	Item No.	Description	Position	Item No.	Description	Position
35319	Rail JMV35SL 9-Hole 220mm for 59013	1	65708	Locking Plate Zap ZDU 6-2 for 59013	5	35307	Fuse Keram.5x20 2.5A Delay for 59013	9
35305	End Fent for 59013	2	35318	Wire Clamp 6-2/2 AN for 59013	6	35323	End Plate Wire Connector for 59013	10
AI868	Mas AB100-K09KJ400 MS4P 24V 50/60Hz for 59013	3	35306	Fuse Clamp 2.5-2/ZSI for 59013	7	35315	Double Clamp 2.5-2 for 59013	11
15772	Contactora 24VAC for 59013	4	15818	Fuse 5x20 4A Slow for 59013	8			

## Control Panel

Item No.	Description	Position	Item No.	Description	Position	Item No.	Description	Position
65753	Cap Wide Holder 04-Control for 59013	3	65755	Grommet 16mm (283 1600 599 99) for 59013	5	65740	Cap Small Holder 04-Control for 59013	7
65754	Cover Protection 04-Control for 59013	4	65756	Grommet 20mm (283 1600 599 99) for 59013	6	AI920	Holder Large - PCB-HV Sensor for 59013	9